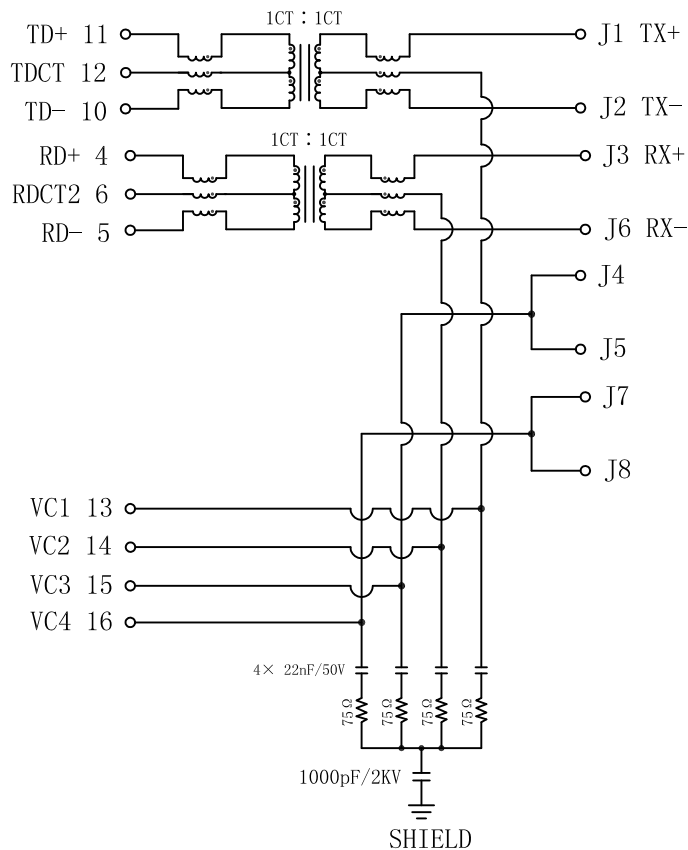


# Schematic:

REV.	ECN NO.	DESCRIPTION	DATE	APPD
A	REL		2013/01/05	

PC BOARD CONNECTIONS



RJ45 CONNECTOR

## Electrical Specifications @25°C

1. Inductance (100KHz, 100mVAC, 18mADC) :

J1-J2, J3-J6: 350uH Min

2. Turns Ratio ( $\pm 2\%$ ) :

TX=1CT : 1CT      RX=1CT : 1CT

3. Insertion Loss:

1~100MHz: -1.3 dB Max

4. Return Loss (dB Min@100Ω) :

1~30MHz: -16      60~80MHz: -12

80~100MHz: -10

5. Crosstalk:

1~100MHz: -30dB Min

6. Common Mode Rejection:

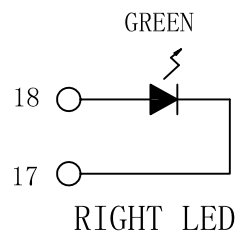
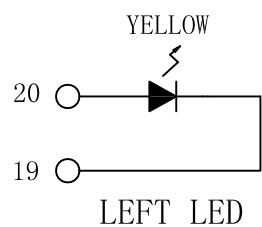
1~100MHz: -30dB Min

100~500MHz: -20dB Min

7. Hipot: 1500Vrms Min @60Hz

8. Operating Temperature: 0°C ~ 70°C.

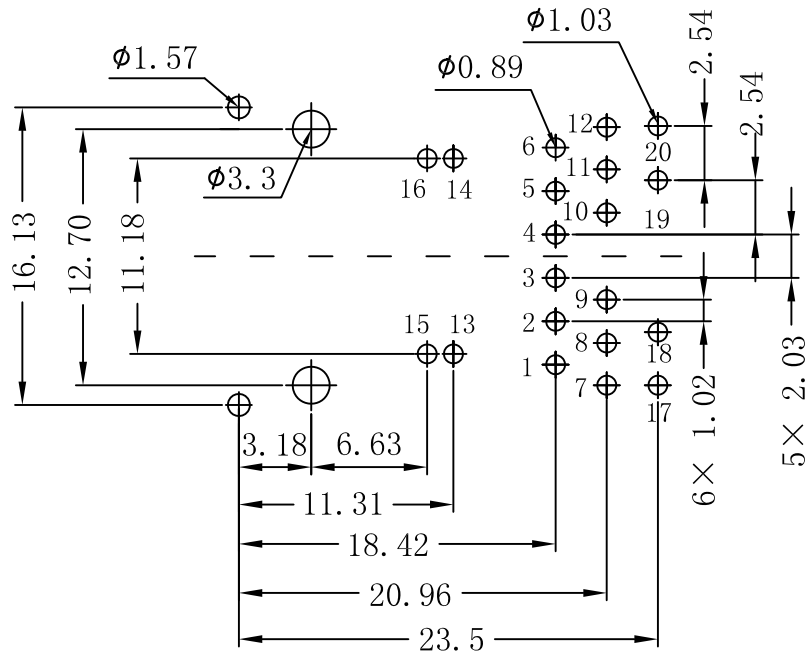
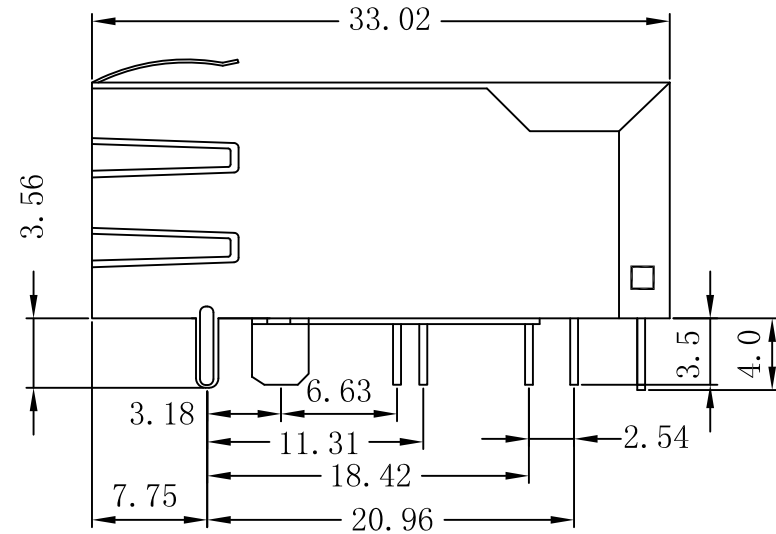
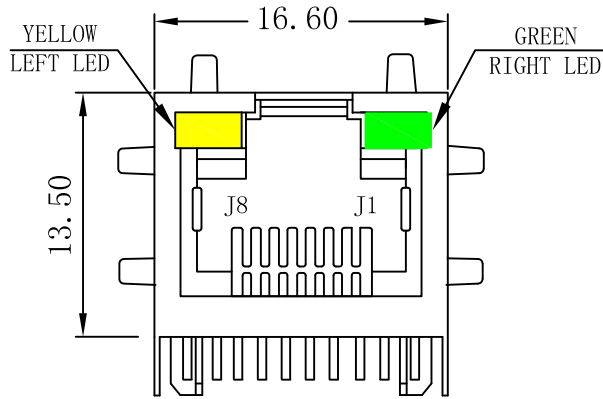
9. Designed to handle 600mADC and meet 802.3at.



X:X	$\pm 0.20$	APPD:	LINK-PP INT'L TECHNOLOGY CO., LIMITED
X:XX	$\pm 0.10$	CHKD:	
X:XXX	$\pm 0.05$	DR: TOM	TITLE: RJ45 Connector with 10/100 Base-TX Integrated Magnetic For PoE+ Application
ANGLES	$\pm 1^\circ$	UNIT: mm	PART NO.: LPJK2004AGNL
	SCALE: 2/1	SHEET: 1/2	REV: A      DWG NO.: LP13010512

# Mechanical :

REV.	ECN NO.	DESCRIPTION	DATE	APPD
A	REL		2013/01/05	



SUGGESTED PCB LAYOUT(TOP VIEW)

## NOTES:

1. Designed to support application, such as SOHO (ADSL modems), LAN-on-Motherboard (LOM), hub and Switches.
2. Meets IEEE 802.3 specification
3. Connector Materials:  
 Housing: Thermoplastic UL94V-0  
 Contact/Shield: Copper alloy  
 Shield plating: Nickel  
 Contact plating: Gold 6 micro-inches min. In contact area.
4. Wave solder tip temperature: 265°C Max  
 Wave solder tip temperature time: 5 Sec Max



X:X	$\pm 0.20$	APPD:	LINK-PP INT'L TECHNOLOGY CO., LIMITED
X:XX	$\pm 0.10$	CHKD:	
X:XXX	$\pm 0.05$	DR: TOM	TITLE: RJ45 Connector with 10/100 Base-TX Integrated Magnetic For PoE+ Application
ANGLES	$\pm 1^\circ$	UNIT: mm	PART NO.: LPJK2004AGNL
	SCALE: 2/1	SHEET: 2/2	REV: A DWG NO.: LP13010512