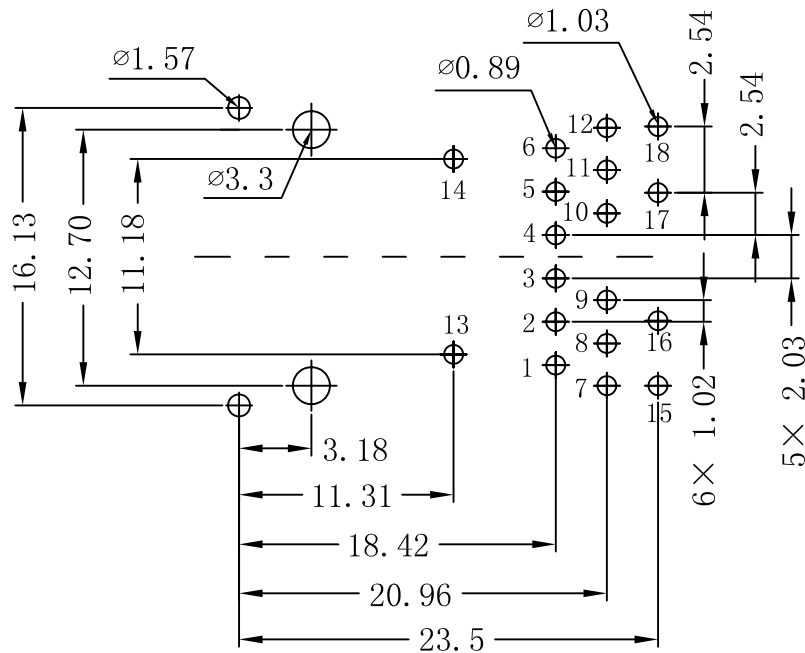
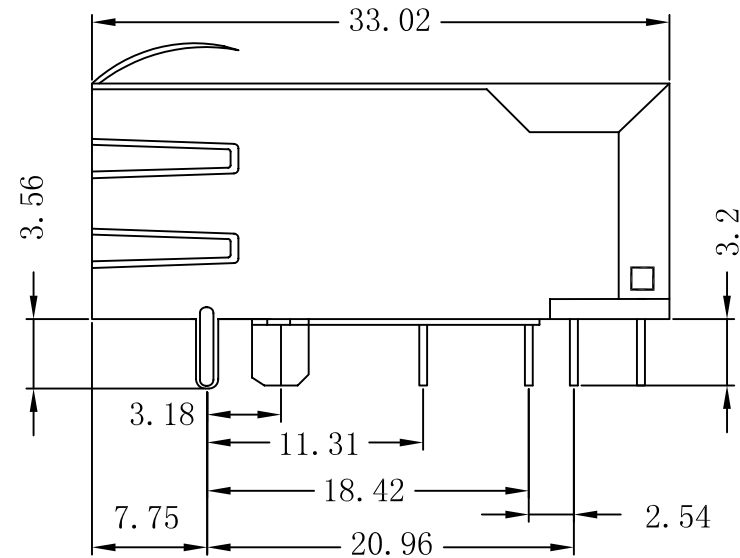
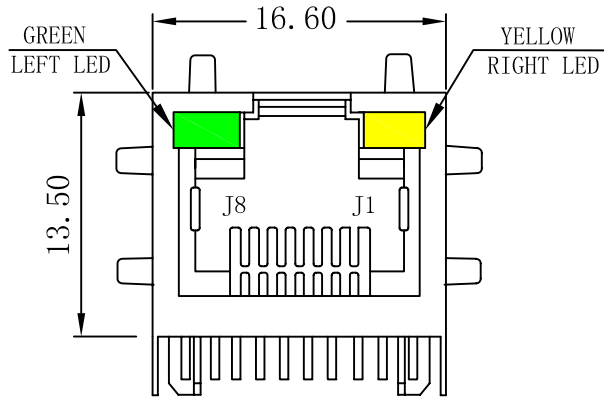


Mechanical :

REV.	ECN NO.	DESCRIPTION	DATE	APPD
A	REL		2010/04/11	



SUGGESTED PCB LAYOUT (TOP VIEW)



NOTES:

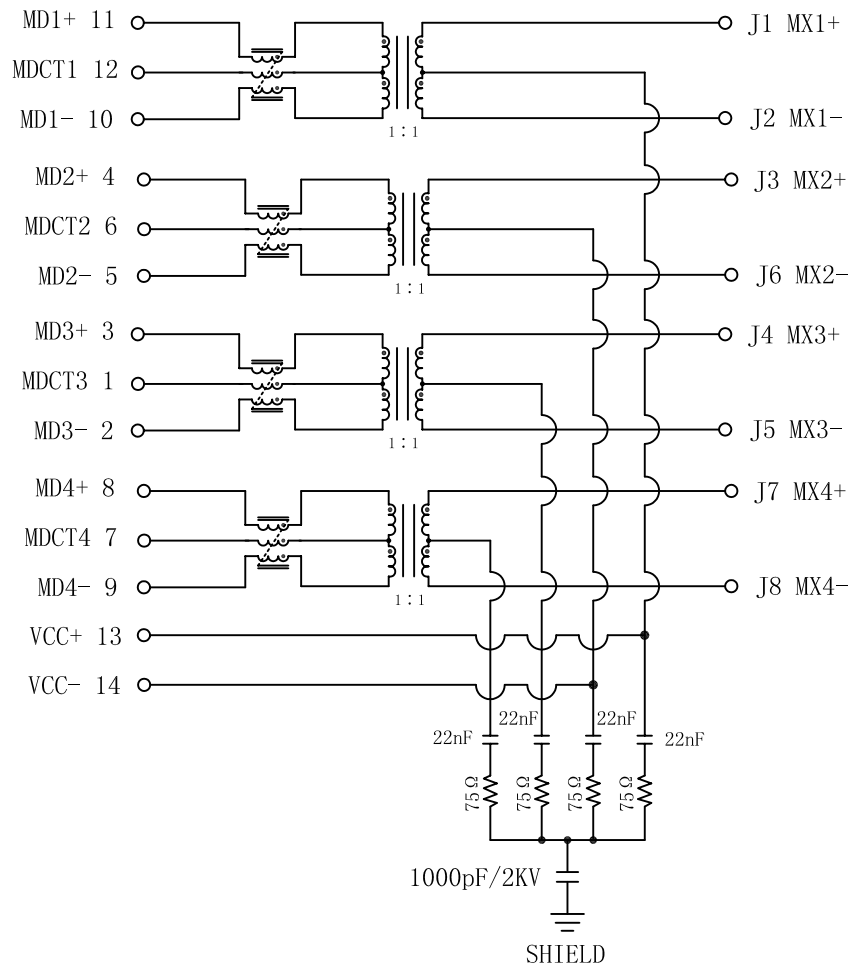
1. Designed to support application, such as SOHO (ADSL modems), LAN-on-Motherboard (LOM), hub and Switches.
2. Meets IEEE 802.3 specification
3. Connector Materials:
Housing: Thermoplastic UL94V-0
Contact/Shield: Copper alloy
Shield plating: Nickel
Contact plating: Gold 6 micro-inches min. In contact area.
4. Wave solder tip temperature: 265°C Max
Wave solder tip temperature time: 5 Sec Max

X:X	±0.20	APPD:	LINK-PP INT'L TECHNOLOGY CO., LIMITED
X:XX	±0.10	CHKD:	
X:XXX	±0.05	DR: TOM	Title: RJ45 Connector with 10/100 Base-TX Integrated Magnetic & PoE
ANGLES	±1°	UNIT: mm	PART NO.: LPJK1045AHNL
	SCALE: 2/1	SHEET: 1/2	REV: A DWG NO.: LP10061101

Schematic:

REV.	ECN NO.	DESCRIPTION	DATE	APPD
A	REL		2010/06/11	

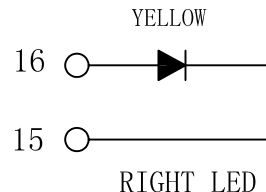
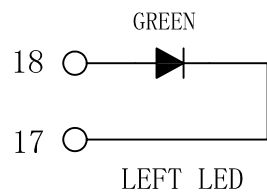
PC BOARD CONNECTIONS



RJ45 CONNECTOR

Electrical Specifications @25°C

1. 350uH min OCL with 8mA bias current.
2. Turns Ratio ($\pm 2\%$):
TX=1CT:1 RX=1CT:1
3. Insertion Loss:
1-100MHz:-1.0dB Max
4. Return Loss ($100\Omega \pm 15\Omega$):
30MHz:-16dB Min
60-80MHz:-12dB Min
100MHz:-10dB Min
5. Crosstalk:
30MHz:-44dB Min
60MHz:-37dB Min
100MHz:-33dB Min
6. Common Mode Rejection:
1-50MHz:-27dB Min
50-130MHz:-20dB Min
7. HI-POT:1500Vrms Min @60Hz
8. Operating Temperature: 0°C ~ 70°C.



X:X	± 0.20	APPD:	LINK-PP INT'L TECHNOLOGY CO., LIMITED
X:XX	± 0.10	CHKD:	
X:XXX	± 0.05	DR: TOM	Title: RJ45 Connector with 10/100 Base-TX Integrated Magnetic & PoE
ANGLES	$\pm 1^\circ$	UNIT: mm	PART NO.: LPJK1045AHNL
	SCALE: 2/1	SHEET: 2/2	REV: A DWG NO.: LP10061101