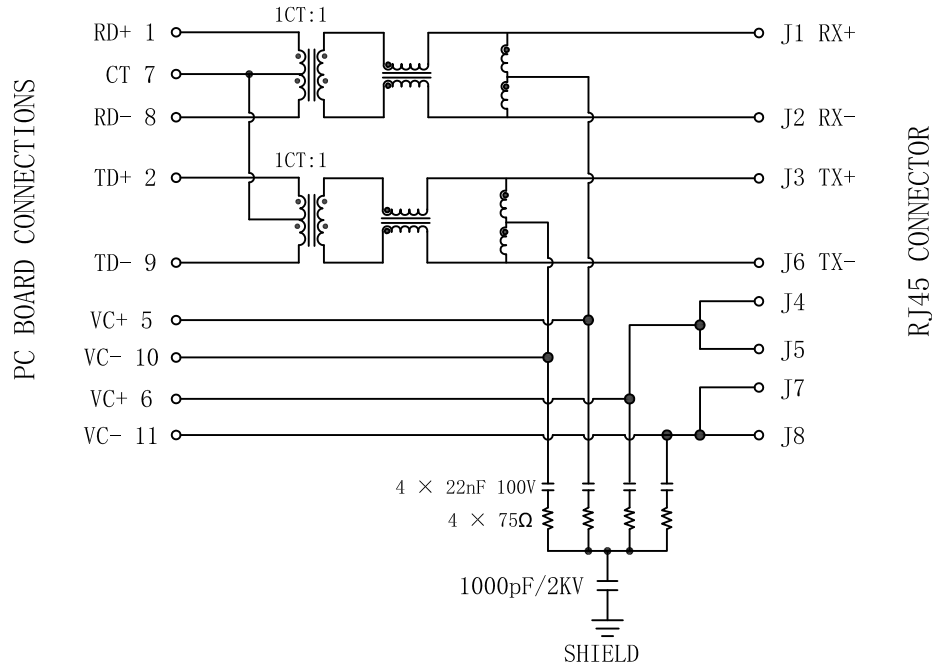


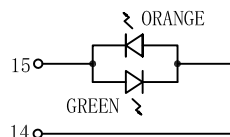
Schematic:

REV.	ECN NO.	DESCRIPTION	DATE	APPD
A	REL		2016-05-17	



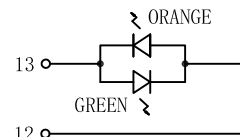
Electrical Specifications @25°C

- Turns Ratio($\pm 2\%$):
TX=1CT:1 RX=1CT:1
- OCL: 350uH Min
@100KHz, 100mV, 8mA bias current.
- Insertion Loss:
0.1-100MHz:-1.5dB Max
- Return Loss:
2-30MHz:-16 Min
60-80MHz:-10 Min
- Crosstalk:
0.1-100MHz:-30dB Min
- Balanced DC Line Current:
350mA Max @ 57 VDC Continuous
500mA Max @ 57 VDC For 200 Millseconds
- Hipot: 1500Vrms
- Operating Temperature: 0°C~70°C.



LEFT LED

LED POLARITY		COLOR
PIN 15	PIN 14	
+	-	GREEN
-	+	ORANGE



RIGHT LED

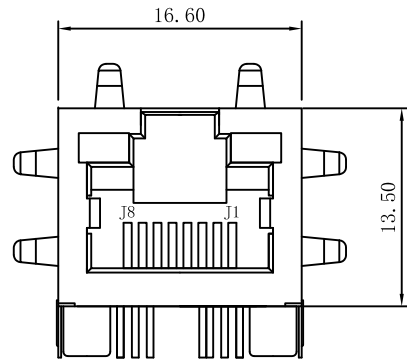
LED POLARITY		COLOR
PIN 13	PIN 12	
+	-	GREEN
-	+	ORANGE

Emitting Color	λ_p (nm)	VF@IF=20mA	IR @VR=5V
GREEN	565	1.8~2.6V	10 μ A max
ORANGE	610	1.8~2.6V	10 μ A max

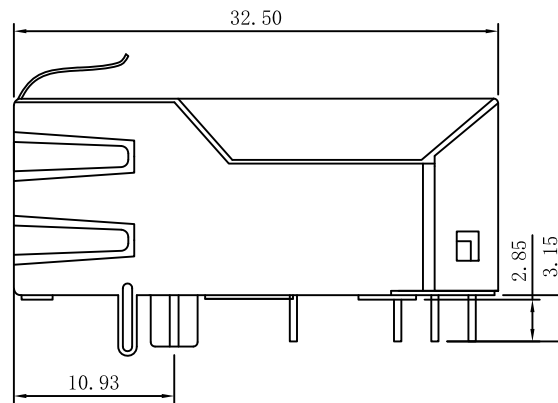
X:X	± 0.30	APPD:	LINK-PP INT'L TECHNOLOGY CO., LIMITED	
X:XX	± 0.25	CHKD:	TITLE: RJ45 Connector with 10/100 Base-T Integrated Magnetics For PoE Application	
X:XXX	± 0.05	DR: TOM		
ANGLES	$\pm 1^\circ$	UNIT: mm	PART NO.: LPJK1014A55NL	
	SCALE: 2/1	SHEET: 1/2	REV: A	DWG NO.: LP16051713

Mechanical :

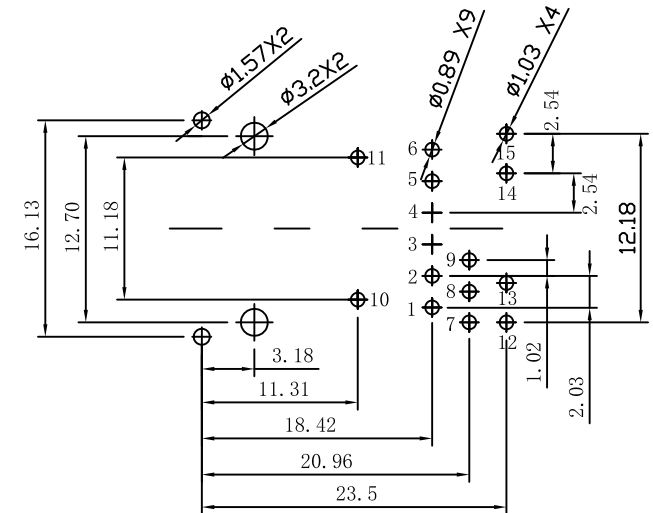
REV.	ECN NO.	DESCRIPTION	DATE	APPD
A	REL		2016-05-17	



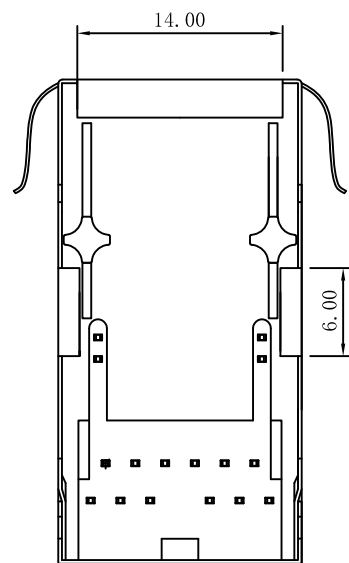
Front Side View



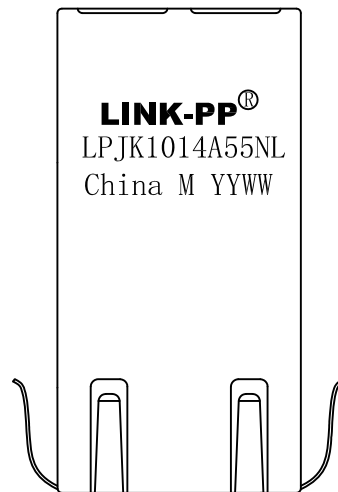
Left Side View



Suggested PCB Layout (Top View)



Bottom Side View



Top Side View

NOTES:

1. Designed to support application, such as SOHO (ADSL modems), LAN-on-Motherboard (LOM), hub and Switches.
2. Meets IEEE 802.3af specification
3. Connector Materials:
Housing: Thermoplastic UL94V-0
Contact/Shield: Copper alloy
Shield plating: Nickel
Contact plating: Gold 6 micro-inches min. In contact area.
4. Wave solder tip temperature: 265°C Max, 5 Sec.
5. UL Certification: File Number E484635.

X:X ±0.30	APPD:	LINK-PP INT'L TECHNOLOGY CO., LIMITED
X:XX ±0.25	CHKD:	
X:XXX ±0.05	DR: TOM	TITLE: RJ45 Connector with 10/100 Base-T Integrated Magnetics For PoE Application
ANGLES ±1°	UNIT: mm	PART NO.: LPJK1014A55NL
	SCALE: 2/1	SHEET: 2/2
	REV: A	DWG NO.: LP16051713