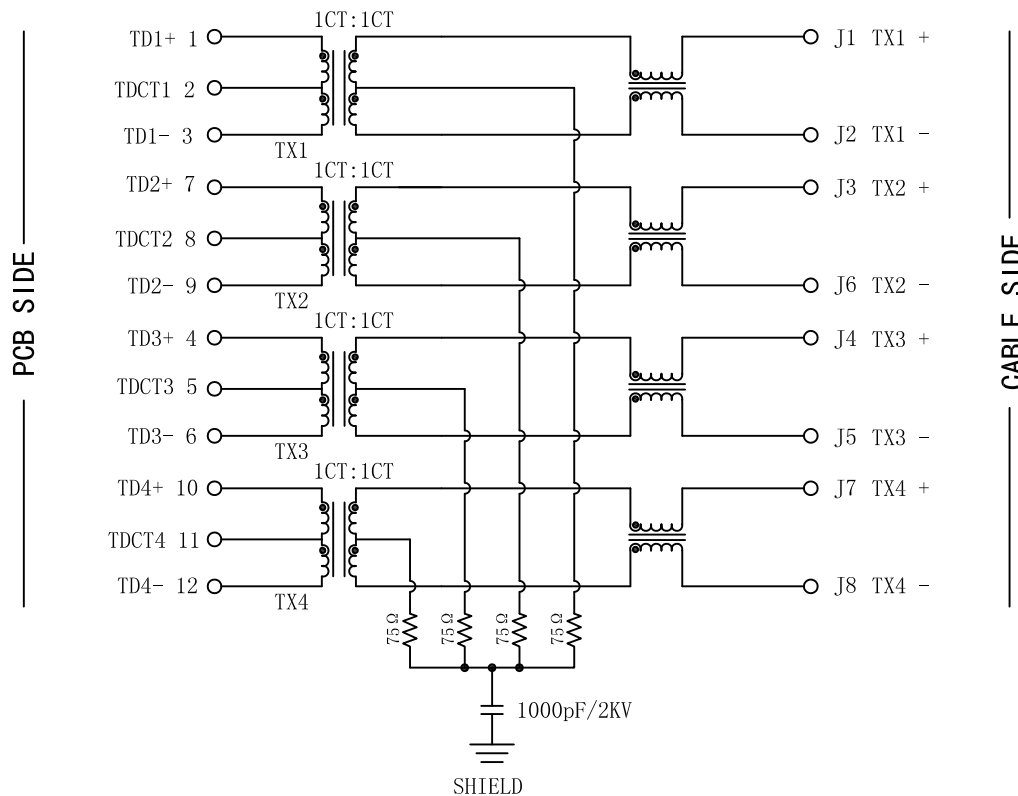


Schematic:

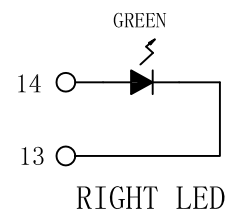
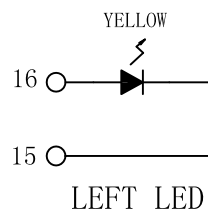
REV.	ECN NO.	DESCRIPTION	DATE	APPD
A	REL		2015/01/21	



Electrical Specifications @25°C

1. OCL (@100KHz, 100mV, 8mA DC Bias):
350uH min
2. Turns Ratio ($\pm 3\%$):
1CT : 1CT
3. Insertion Loss:
0.3~100MHz: -0.8dB max
100~120MHz: -1.2dB max
4. Return Loss (dB min):
0.5~40MHz: -18 ;
40~100MHz: -12+20Log(f/80MHz)
5. Crosstalk (dB min):
0.1~100MHz: -33+20Log(f/100MHz)
6. Common to Differential Mode Rejection:
0.3~100MHz: -35dB min ;
7. Common to Common Mode Rejection
0.3~100MHz: -30dB min
8. Hi-Pot: 1500Vrms @60Hz
9. Operating Temperature: 0°C ~ 70°C.

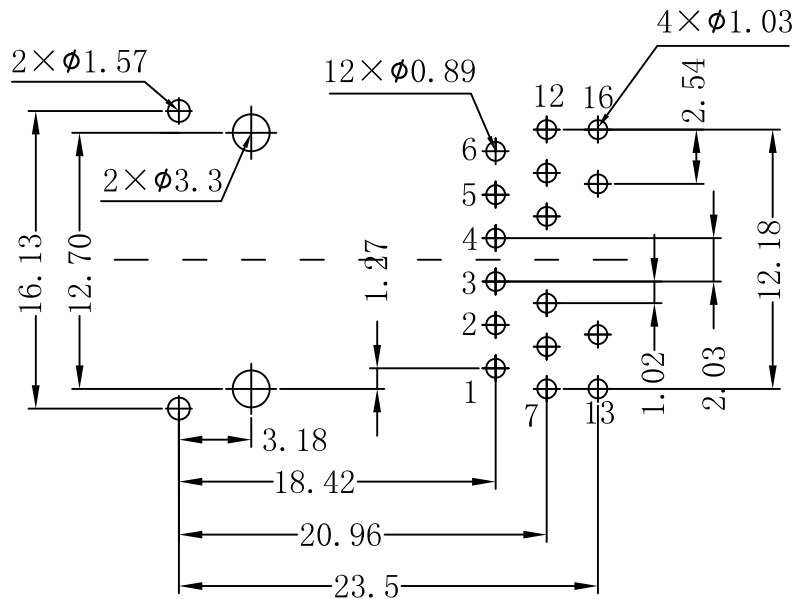
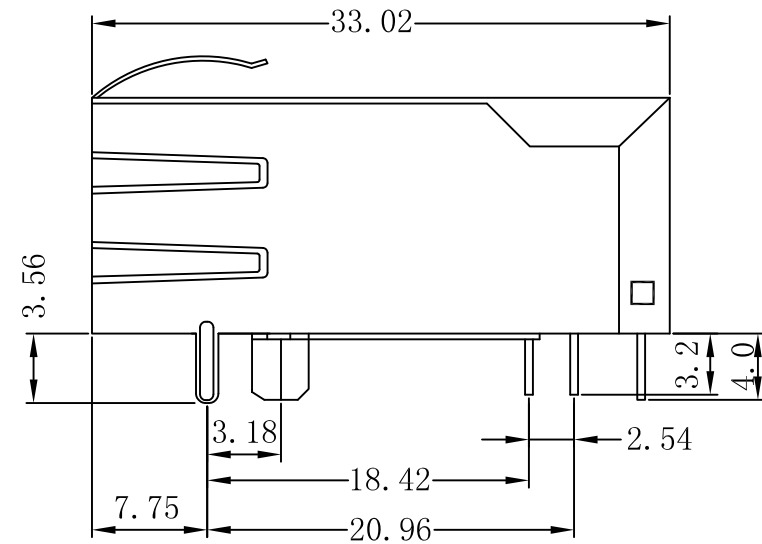
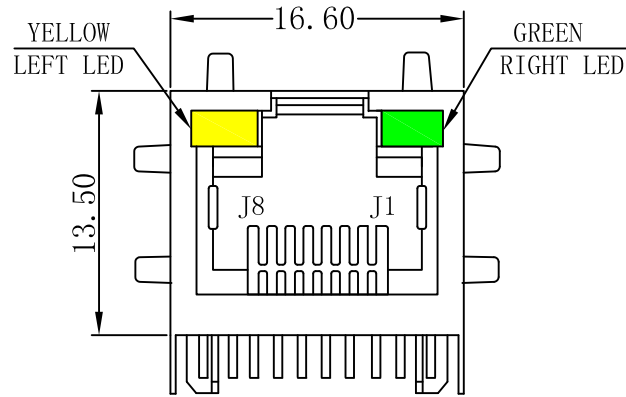
Emitting Color	λ_p (nm)	VF@IF=20mA	IR @VR=5V
Green	570	1.8~2.6V	10 μ A max
Yellow	585	1.8~2.6V	10 μ A max



X:X	± 0.30	APPD:	LINK-PP INT'L TECHNOLOGY CO., LIMITED
X:XX	± 0.25	CHKD:	
X:XXX	± 0.05	DR: TOM	TITLE: RJ45 Connector with 1000 Base-TX Integrated Magnetic
ANGLES	$\pm 1^\circ$	UNIT: mm	PART NO.: LPJK0077AGNL
	SCALE: 2/1	SHEET: 1/2	REV: A DWG NO.: TRC15012101

Mechanical :

REV.	ECN NO.	DESCRIPTION	DATE	APPD
A	REL		2015/01/21	



SUGGESTED PCB LAYOUT (TOP VIEW)



NOTES:

1. Designed to support application, such as SOHO (ADSL modems), LAN-on-Motherboard (LOM), hub and Switches.
2. Meets IEEE 802.3 specification
3. Connector Materials:
Housing: Thermoplastic UL94V-0
Contact/Shield: Copper alloy
Shield plating: Nickel
Contact plating: Gold 6 micro-inches min. In contact area.
4. Wave solder tip temperature: 265°C Max, 5 Sec Max.

X:X	±0.30	APPD:	LINK-PP INT'L TECHNOLOGY CO., LIMITED
X:XX	±0.25	CHKD:	
X:XXX	±0.05	DR: TOM	TITLE: RJ45 Connector with 1000 Base-TX Integrated Magnetic
ANGLES	±1°	UNIT: mm	PART NO.: LPJK0077AGNL
	SCALE: 2/1	SHEET: 2/2	REV: A
			DWG NO.: TRC15012101