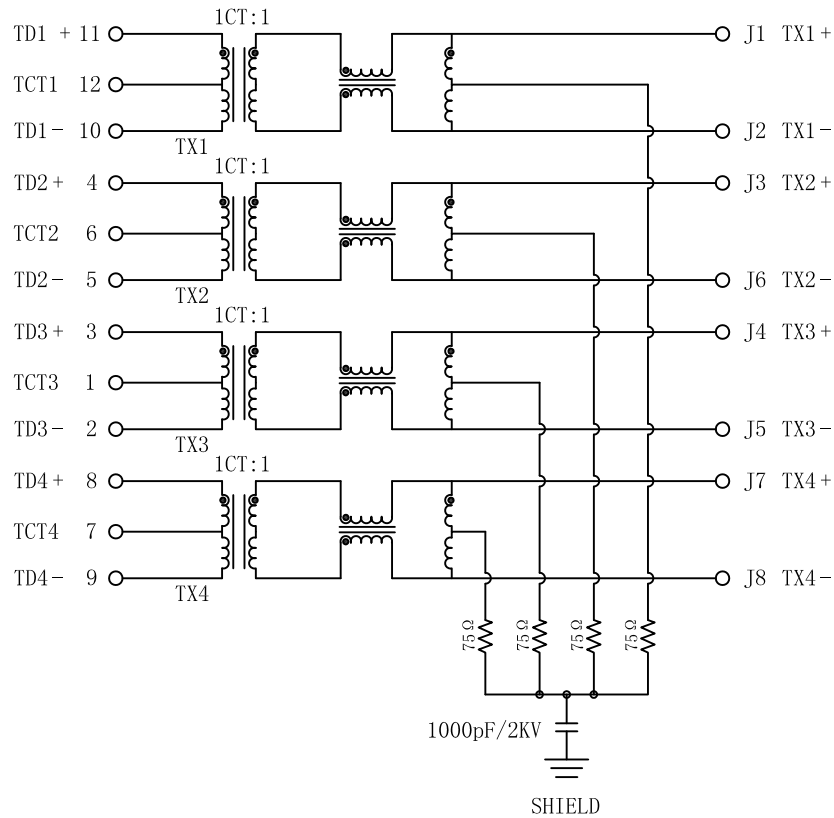


# Schematic:

| REV. | ECN NO. | DESCRIPTION | DATE       | APPD |
|------|---------|-------------|------------|------|
| A    | REL     |             | 2008-11-06 |      |

PC BOARD CONNECTIONS



RJ45 CONNECTOR

## Electrical Specifications @25°C

### 1. Turns Ratio:

- (P11-P10) : (J1-J2) : 1 : 1 ±2%
- (P4-P5) : (J3-J6) : 1 : 1 ±2%
- (P3-P2) : (J4-J5) : 1 : 1 ±2%
- (P8-P9) : (J7-J8) : 1 : 1 ±2%

### 2. Inductance:

- (P11-P10) ; (P4-P5) ; (P3-P2) ; (P8-P9) :
- 350uH MIN. @ 100KHz, 0.1V, 8mA DC BIAS

### 3. Insertion Loss:

- 1~100MHz: -1.0dB MAX

### 4. Return Loss (dB MIN):

- 1~10MHz: -20      30MHz: -16
- 60~80MHz: -12    80~100MHz: -10

### 5. Crosstalk (dB MIN):

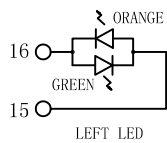
- 1~10MHz: -40      32~65MHz: -35
- 65~100MHz: -30

### 6. Common To Common Mode (dB MIN):

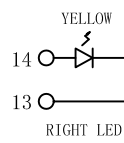
- 1~125MHz: -30    125~500MHz: -20

### 7. Hipot: 1500Vrms @60Hz

### 8. Operating Temperature: 0°C ~ 70°C.



LEFT LED



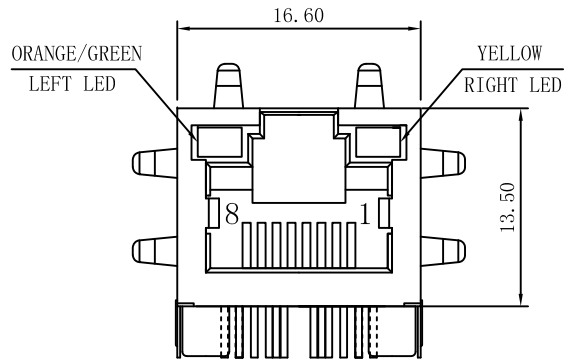
RIGHT LED

| Emitting Color | λ p(nm) | VF@IF=20mA | IR @VR=5V |
|----------------|---------|------------|-----------|
| ORANGE/GREEN   | 610/565 | 1.8-2.6V   | 10 μA max |
| YELLOW         | 585     | 1.8-2.6V   | 10 μA max |

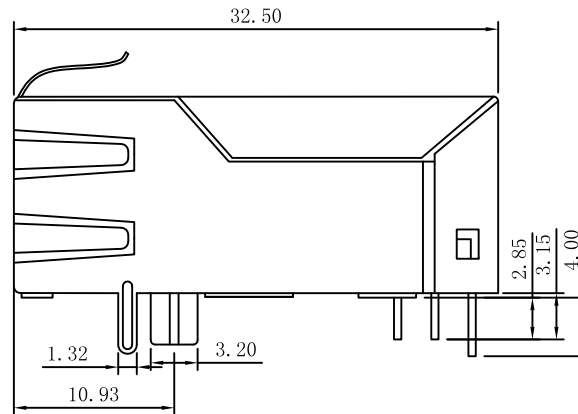
|        |            |            |   |                     |
|--------|------------|------------|---|---------------------|
| X:X    | ±0.30      | APPD:      | LINK-PP INT'L TECHNOLOGY CO., LIMITED                       |                     |
| X:XX   | ±0.25      | CHKD:      | TITLE: RJ45 Connector with 1000 Base-T Integrated Magnetics |                     |
| X:XXX  | ±0.05      | DR: TOM    | PART NO.: LPJK0071AONL                                      |                     |
| ANGLES | ±1°        | UNIT: mm   |   |                     |
|        | SCALE: 2/1 | SHEET: 1/2 | REV: A  | DWG NO.: LP08110621 |

# Mechanical :

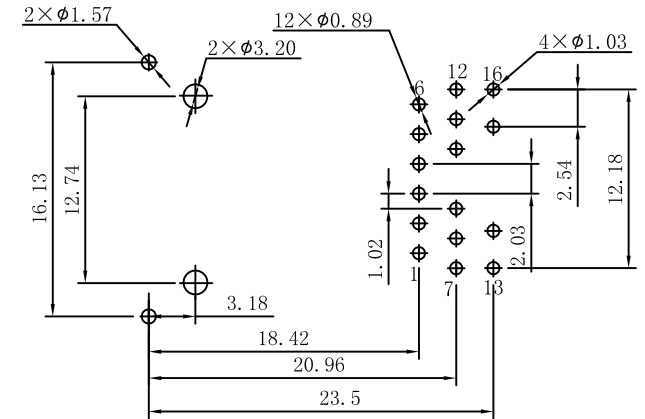
| REV. | ECN NO. | DESCRIPTION | DATE       | APPD |
|------|---------|-------------|------------|------|
| A    | REL     |             | 2008-11-06 |      |



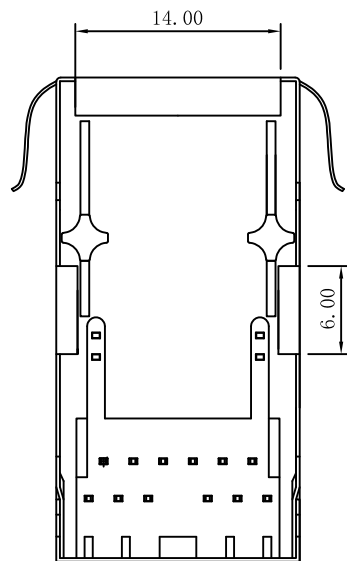
Front Side View



Left Side View



Suggested PCB Layout (Top View)



Bottom Side View



Top Side View

## NOTES:

1. Designed to support application, such as SOHO (ADSL modems), LAN-on-Motherboard (LOM), hub and Switches.
2. Meets IEEE 802.3 specification
3. Connector Materials:  
Housing: Thermoplastic UL94V-0  
Contact/Shield: Copper alloy  
Shield plating: Nickel  
Contact plating: Gold 6 micro-inches Min. In contact area.
4. Wave peak temperature: 260°C Max, 5Sec Max.



|             |            |   |
|-------------|------------|---|
| X:X ±0.30   | APPD:      | LINK-PP INT'L TECHNOLOGY CO., LIMITED                       |
| X:XX ±0.25  | CHKD:      |   |
| X:XXX ±0.05 | DR: TOM    | TITLE: RJ45 Connector with 1000 Base-T Integrated Magnetics |
| ANGLES ±1°  | UNIT: mm   | PART NO.: LPJK0071AONL                                      |
|             | SCALE: 2/1 | SHEET: 2/2  |
|             | REV: A     | DWG NO.: LP08110621   |