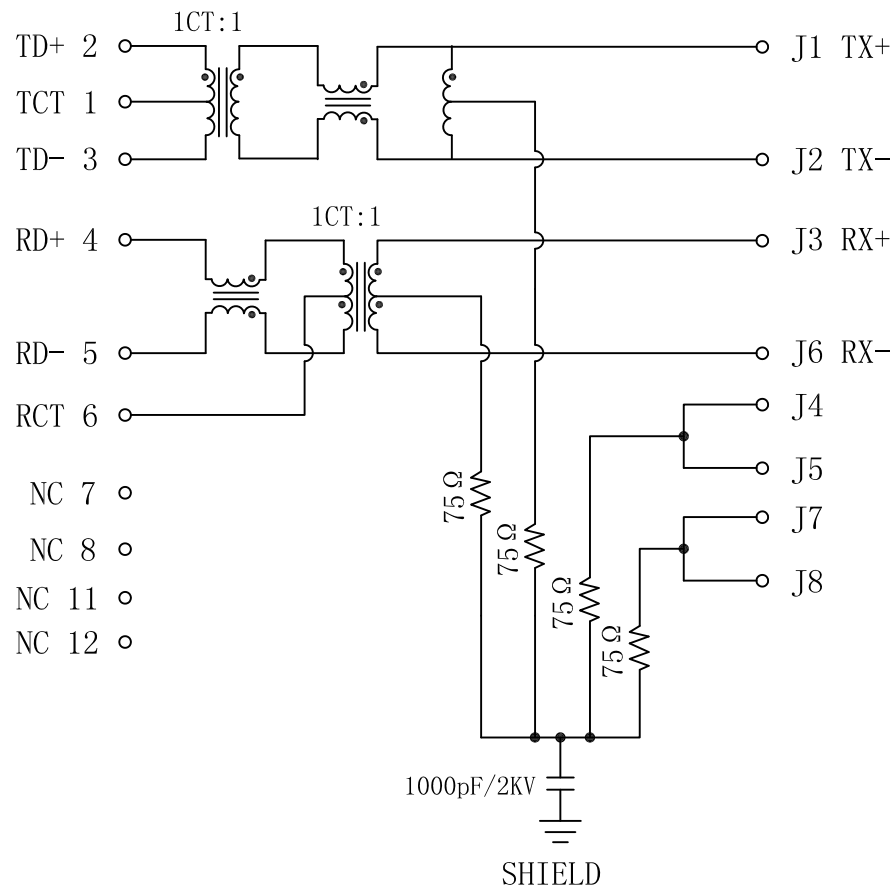


Schematic:

| REV. | ECN NO. | DESCRIPTION | DATE | APPD |
|------|---------|-------------|------------|------|
| A | REL | | 2010/08/28 | |

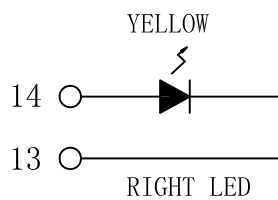
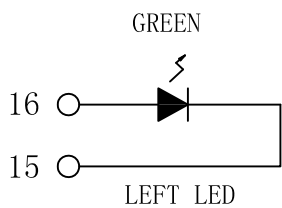
PCB CONNECTIONS TO PHY



CABLE SIDE

Electrical Specifications @25°C

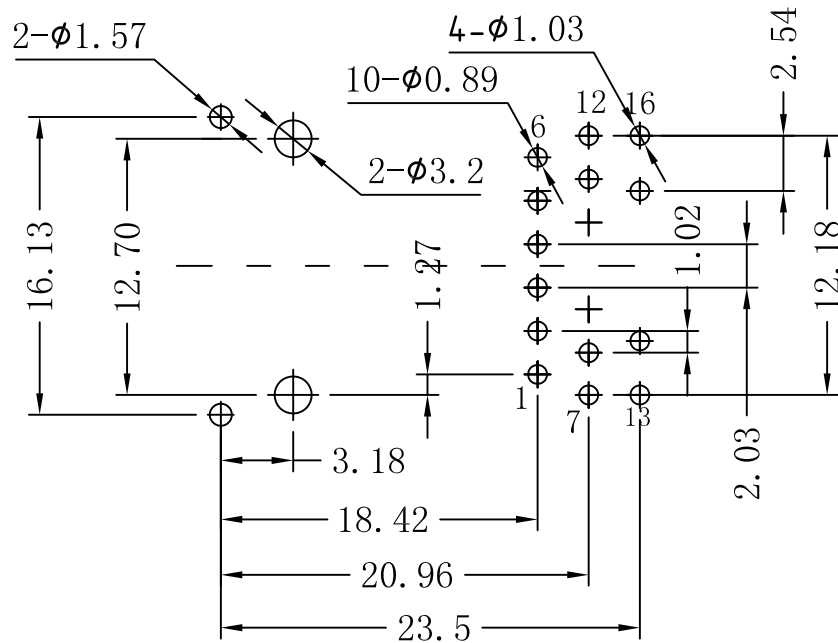
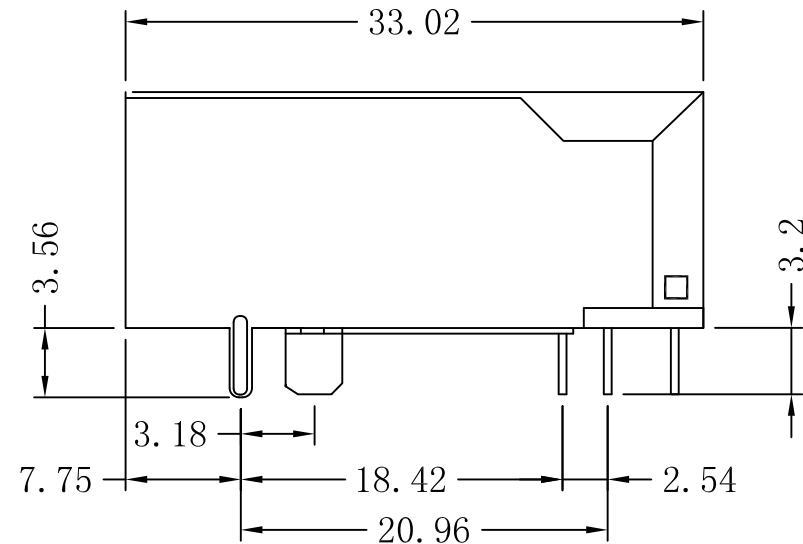
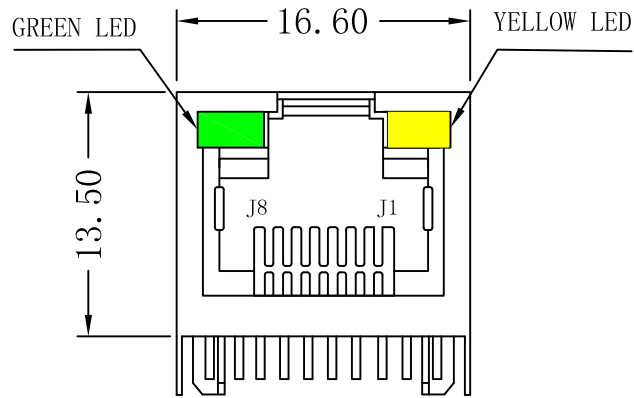
1. OCL: 350uH MIN
@ 100KHz/100mVrms 8mA DC Bias
2. Turns Ratio:
TX=1CT:1 RX=1CT:1
3. Insertion Loss:
1~100MHz:-1.0dB MAX
4. Return Loss(dB MIN):
1~30MHz:-18
30~60MHz:-18+20LOG(F/30MHz)
60~80MHz:-12
5. Crosstalk(TX - RX):
0.5~100MHz:-35 dB MIN
6. CM To CM REJ:
0.1~100MHz:-30dB MIN
7. CM To DM REJ:
0.1~100MHz:-40 dB MIN
8. Hipot: 1500Vrms MIN
9. Operating Temperature: 0°C~70°C.



| | | | |
|--------|------------|------------|---|
| X:X | ±0.20 | APPD: | LINK-PP INT'L TECHNOLOGY CO., LIMITED |
| X:XX | ±0.10 | CHKD: | |
| X:XXX | ±0.05 | DR: TOM | TITLE: RJ45 Connector with 10/100 Base-TX Integrated Magnetic |
| ANGLES | ±1° | UNIT: mm | PART NO.: LPJK0066BHNL |
| | SCALE: 2/1 | SHEET: 1/2 | REV: A DWG NO.: LP10082816 |

Mechanical:

| REV. | ECN NO. | DESCRIPTION | DATE | APPD |
|------|---------|-------------|------------|------|
| A | REL | | 2010/08/28 | |



SUGGESTED PCB LAYOUT

NOTES:

1. Designed to support application, such as SOHO (ADSL modems), LAN-on-Motherboard (LOM), hub and Switches.
2. Meets IEEE 802.3 specification
3. Connector Materials:
 Housing: Thermoplastic UL94V-0
 Contact/Shield: Copper alloy
 Shield plating: Nickel
 Contact plating: Gold 6 micro-inches min. In contact area.
4. Wave solder tip temperature: 265°C Max
 Wave solder tip temperature time: 5 Sec Max



| | | | |
|--------|------------|------------|---|
| X:X | ±0.20 | APPD: | LINK-PP INT'L TECHNOLOGY CO., LIMITED |
| X:XX | ±0.10 | CHKD: | |
| X:XXX | ±0.05 | DR: TOM | TITLE: RJ45 Connector with 10/100 Base-TX Integrated Magnetic |
| ANGLES | ±1° | UNIT: mm | PART NO.: LPJK0066BHNL |
| | SCALE: 2/1 | SHEET: 2/2 | REV: A DWG NO.: LP10082816 |