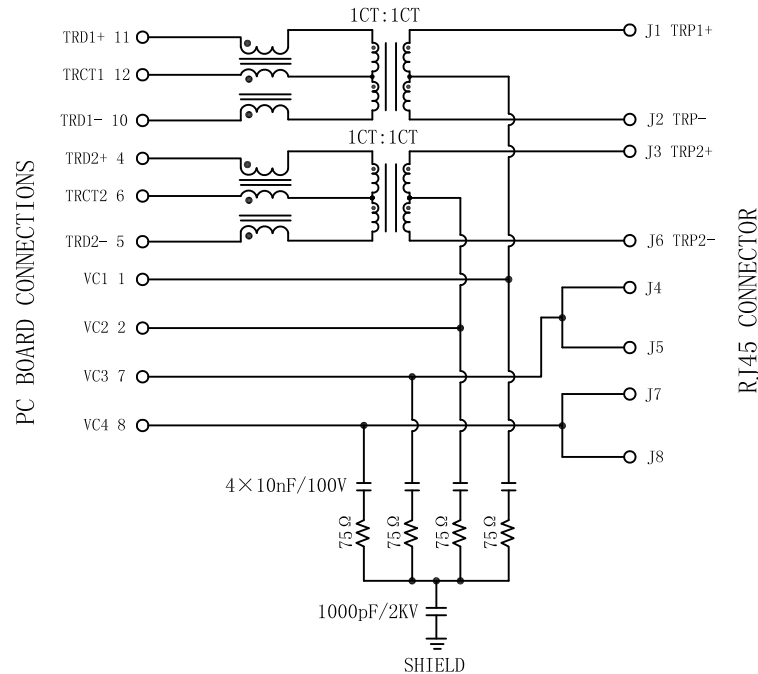


Schematic:

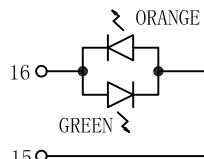
REV.	ECN NO.	DESCRIPTION	DATE	APPD
A	REL		2008-11-06	



Electrical Specifications @25°C

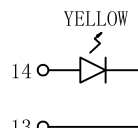
- OCL (@100KHz, 100mV, 8mA DC BIAS):
350uH min
- Turns Ratio ($\pm 2\%$):
TX=1CT : 1CT RX=1CT : 1CT
- Insertion Loss:
1~100MHz: -1.0dB max
- Return Loss (dB min):
1~10MHz: -20 ; 30MHz: -16
60~80MHz: -12 ; 80~100MHz: -10
- Crosstalk (dB min):
1~10MHz: -40 ; 32~65MHz: -35
65~100MHz: -30
- Common Mode Rejection (dB min):
1~125MHz: -30 ; 125~500MHz: -20
- Hi-Pot: 1500Vrms @60Hz
- DC Current/Voltage Rating-pse pins:
350mA@57V (continuous)
- Operating Temperature: 0°C ~ 70°C.

Emitting Color	λ_p (nm)	VF@IF=20mA	IR @VR=5V
ORANGE/GREEN	610/565	1.8-2.6V	10 μ A max
YELLOW	585	1.8-2.6V	10 μ A max



LEFT LED

LED POLARITY		COLOR
PIN 16	PIN 15	
+	-	GREEN
-	+	ORANGE



RIGHT LED

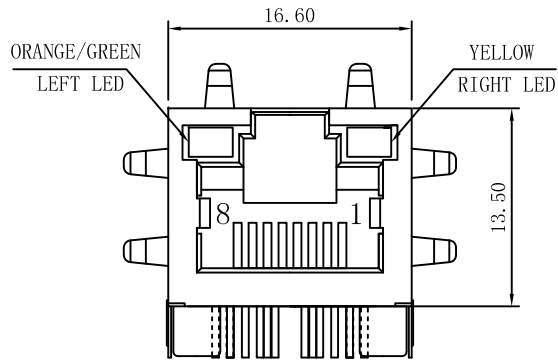
LED POLARITY		COLOR
PIN 14	PIN 13	
+	-	YELLOW



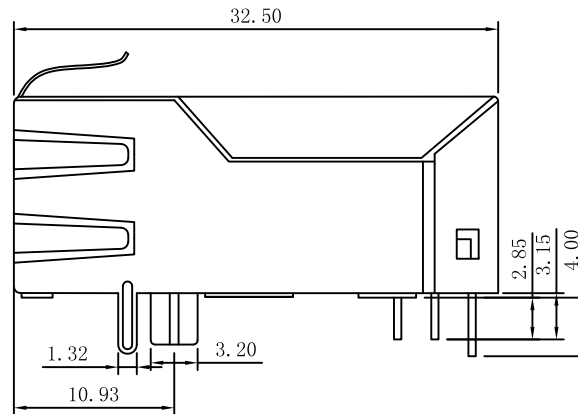
X:X	± 0.30	APPD:	LINK-PP INT'L TECHNOLOGY CO., LIMITED	
X:XX	± 0.25	CHKD:		
X:XXX	± 0.05	DR: TOM	TITLE: RJ45 Connector with 10/00 Base-T Integrated Magnetics For PoE Application	
ANGLES	$\pm 1^\circ$	UNIT: mm	PART NO.: LPJK0043AONL	
	SCALE: 2/1	SHEET: 1/2	REV: A	DWG NO.: LP08110630

Mechanical :

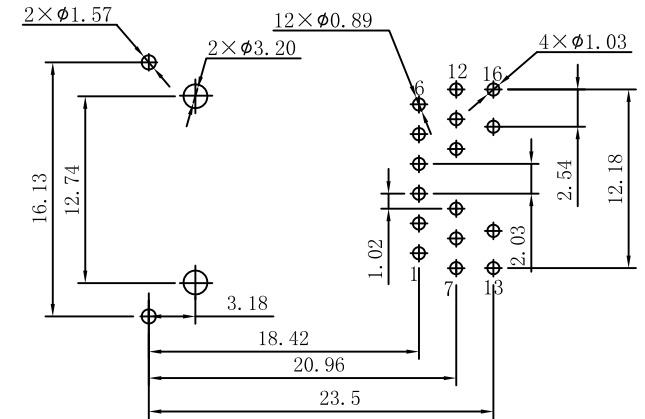
REV.	ECN NO.	DESCRIPTION	DATE	APPD
A	REL		2008-11-06	



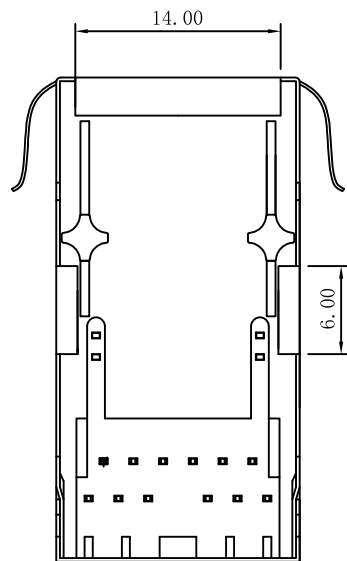
Front Side View



Left Side View



Suggested PCB Layout (Top View)



Bottom Side View



Top Side View

NOTES:

1. Designed to support application, such as SOHO (ADSL modems), LAN-on-Motherboard (LOM), hub and Switches.
2. Meets IEEE 802.3af specification
3. Connector Materials:
 Housing: Thermoplastic UL94V-0
 Contact/Shield: Copper alloy
 Shield plating: Nickel
 Contact plating: Gold 6 micro-inches Min. In contact area.
4. Wave peak temperature: 260°C Max, 5Sec Max.



X:X ±0.30	APPD:	LINK-PP INT'L TECHNOLOGY CO., LIMITED
X:XX ±0.25	CHKD:	
X:XXX ±0.05	DR: TOM	TITLE: RJ45 Connector with 10/00 Base-T Integrated Magnetics For PoE Application
ANGLES ±1°	UNIT: mm	PART NO.: LPJK0043AONL
	SCALE: 2/1	SHEET: 2/2
	REV: A	DWG NO.: LP08110630