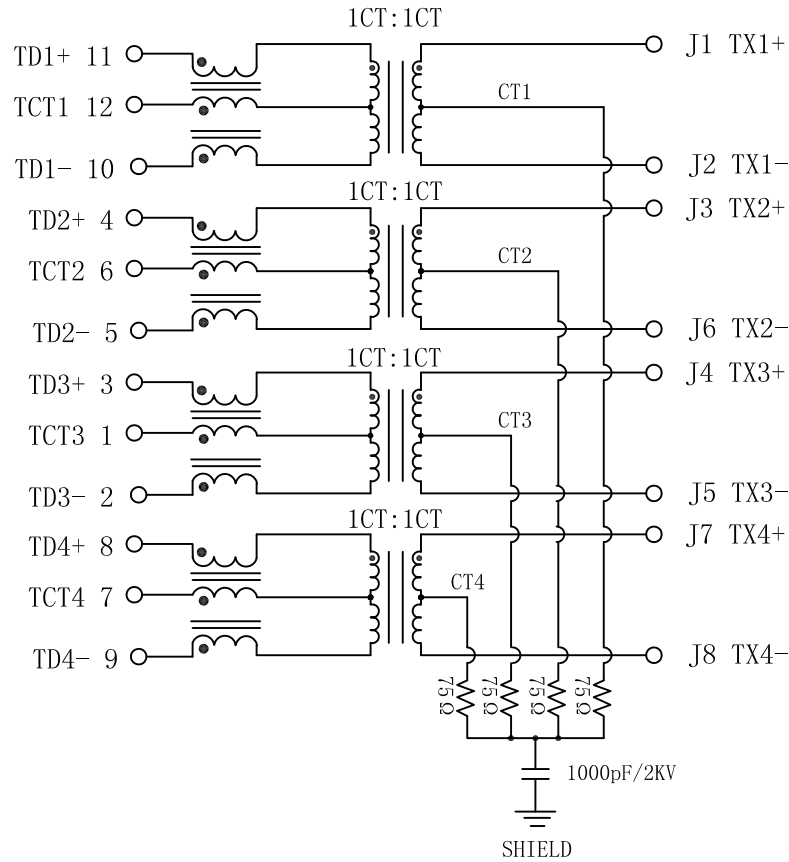


Schematic:

REV.	ECN NO.	DESCRIPTION	DATE	APPD
A	REL		2008-11-06	

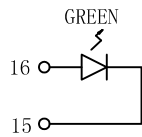
PC BOARD CONNECTIONS



RJ45 CONNECTOR

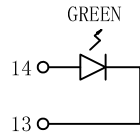
- Electrical Specifications @25°C
- OCL(@100KHz, 100mV, 8mA DC Bias):
350uH min
 - Turns Ratio(±2%):
1CT : 1CT
 - Insertion Loss:
1~100MHz:-1.0dB max
 - Return Loss(dB min):
1~10MHz:-20 ; 30MHz:-16
60~80MHz:-12 ; 80~100MHz:-10
 - Crosstalk(dB min):
1~10MHz:-40 ; 32~65MHz:-35
65~100MHz:-30
 - Common Mode Rejection(dB min):
1~125MHz:-30 ; 125~500MHz:-20
 - Hi-Pot: 1500Vrms @60Hz
 - Operating Temperature: 0°C~70°C.

Emitting Color	λ p(nm)	VF@IF=20mA	IR @VR=5V
GREEN	565	1.8~2.6V	10 μ A max



LEFT LED

LED POLARITY		COLOR
PIN 16	PIN 15	
+	-	GREEN



RIGHT LED

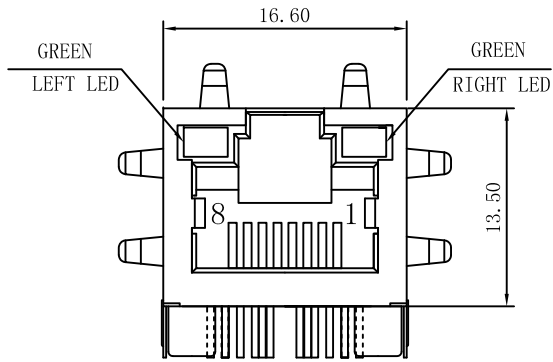
LED POLARITY		COLOR
PIN 14	PIN 13	
+	-	GREEN



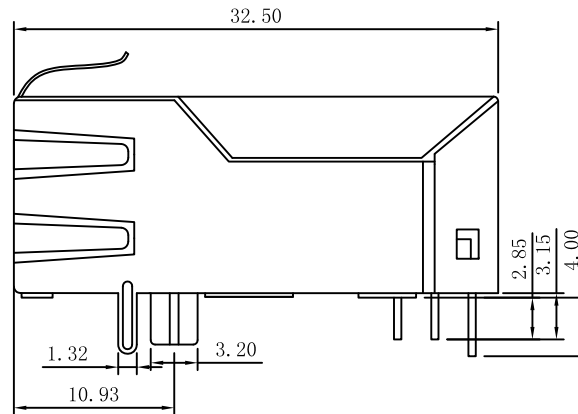
X:X ±0.30	APPD:	LINK-PP INT'L TECHNOLOGY CO., LIMITED
X:XX ±0.25	CHKD:	
X:XXX ±0.05	DR: TOM	TITLE: RJ45 Connector with 1000 Base-T Integrated Magnetics
ANGLES ±1°	UNIT: mm	PART NO.: LPJK0036AWN
	SCALE: 2/1	SHEET: 1/2
	REV: A	DWG NO.: LP08110632

Mechanical :

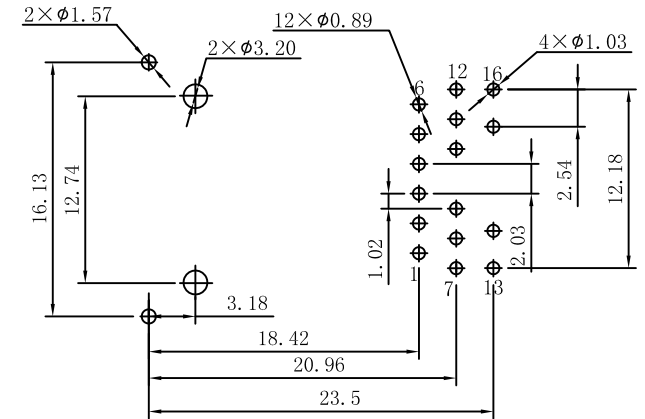
REV.	ECN NO.	DESCRIPTION	DATE	APPD
A	REL		2008-11-06	



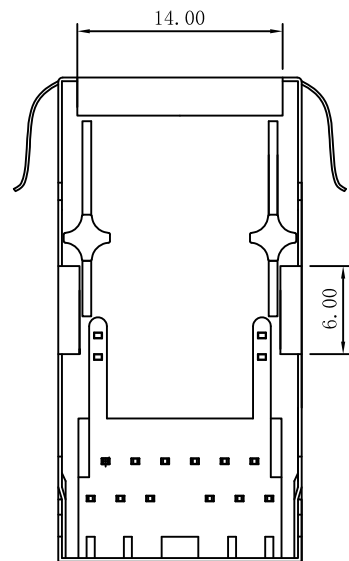
Front Side View



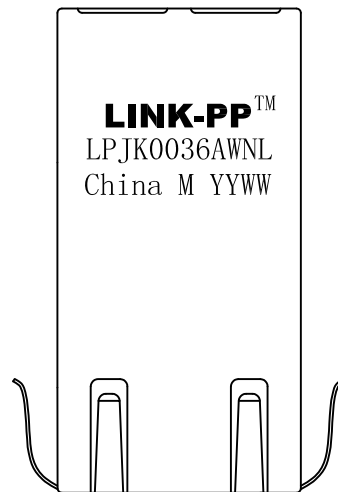
Left Side View



Suggested PCB Layout (Top View)



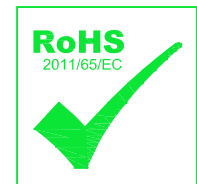
Bottom Side View



Top Side View

NOTES:

1. Designed to support application, such as SOHO (ADSL modems), LAN-on-Motherboard (LOM), hub and Switches.
2. Meets IEEE 802.3 specification
3. Connector Materials:
 Housing: Thermoplastic UL94V-0
 Contact/Shield: Copper alloy
 Shield plating: Nickel
 Contact plating: Gold 6 micro-inches Min. In contact area.
4. Wave peak temperature: 260°C Max, 5Sec Max.



X:X	±0.30	APPD:	LINK-PP INT'L TECHNOLOGY CO., LIMITED	
X:XX	±0.25	CHKD:	TITLE: RJ45 Connector with 1000 Base-T Integrated Magnetics	
X:XXX	±0.05	DR: TOM	PART NO.: LPJK0036AWN	
ANGLES	±1°	UNIT: mm	DWG NO.: LP08110632	
		SCALE: 2/1	SHEET: 2/2	REV: A