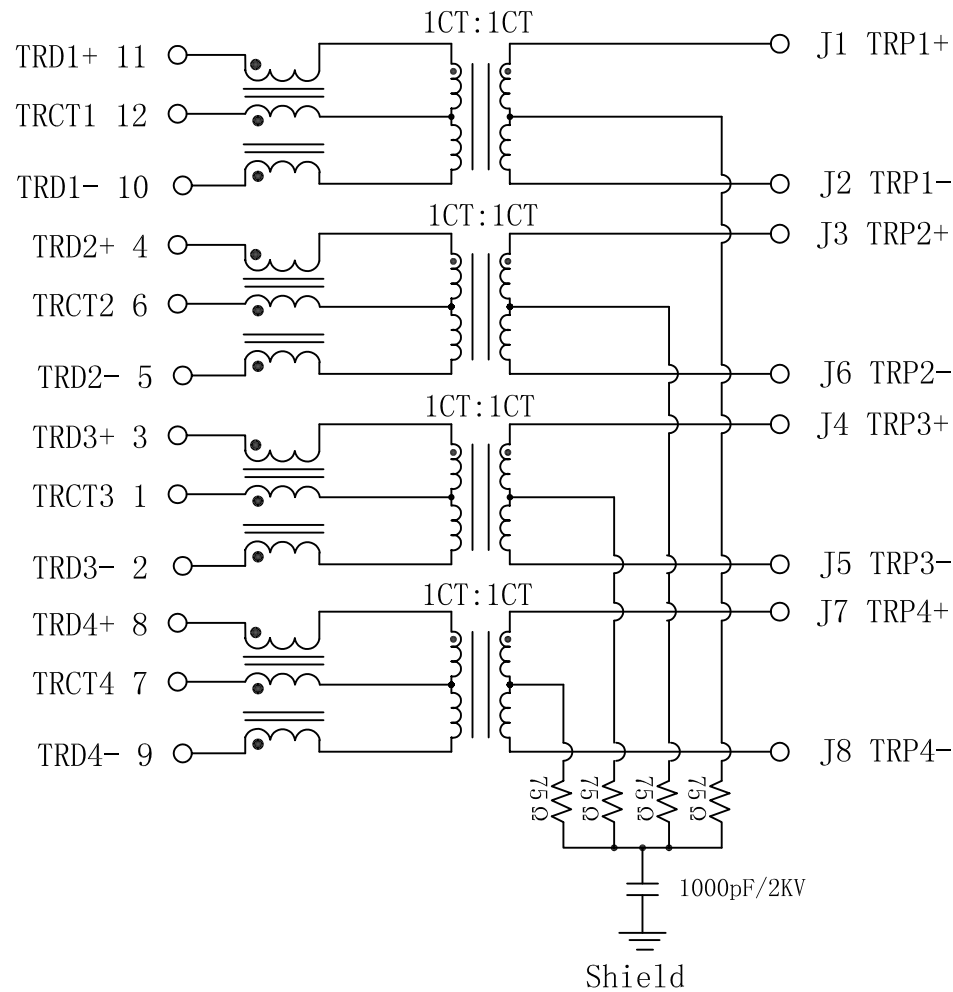


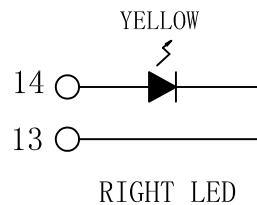
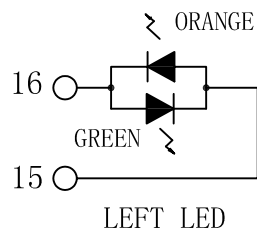
Schematic:

REV.	ECN NO.	DESCRIPTION	DATE	APPD
A	REL		2010/11/24	



Electrical Specifications @25°C

- Turns Ratio ($\pm 2\%$):
TX=1CT:1CT RX=1CT:1CT
- 350uH min OCL with 8mA bias current.
- Insertion Loss:
1-100MHz: -1.0dB MAX
- Return Loss (dB MIN):
1-10MHz: -20; 30MHz: -16
60-80MHz: -12 80-100MHz: -10
- Crosstalk (dB MIN):
1-10MHz: -40; 32-65MHz: -35
65-100MHz: -30
- CMR (dB MIN):
1-125MHz: -30; 125-500MHz: -20
- Hipot: 1500Vrms
- Operating Temperature: 0°C ~ 70°C.



X:X	± 0.20	APPD:	LINK-PP INT'L TECHNOLOGY CO., LIMITED	
X:XX	± 0.10	CHKD:	TITLE: RJ45 Connector with 1000Base-TX Integrated Magnetic	
X:XXX	± 0.05	DR: TOM	PART NO.: LPJK0036AONL	
ANGLES	$\pm 1^\circ$	UNIT: mm		
	SCALE: 2/1	SHEET: 1/2	REV: A	DWG NO.:

