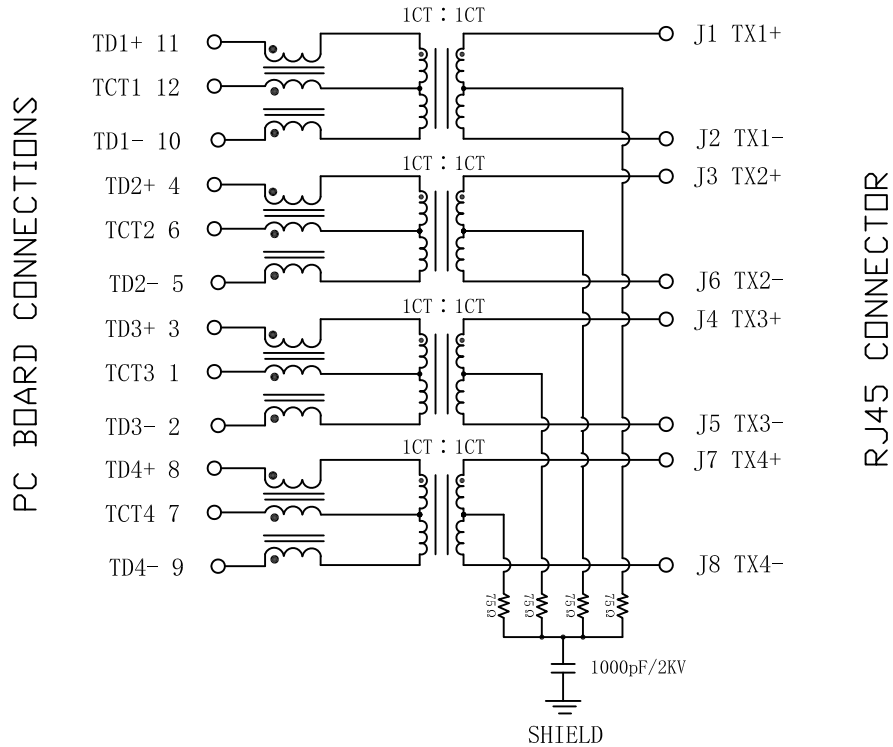


Schematic:

REV.	ECN NO.	DESCRIPTION	DATE	APPD
A	REL		2010-11-24	



Electrical Specifications @25°C

1. Turns Ratio:

$$(P11-P10) : (J1-J2) : 1 : 1 \pm 2\%$$

$$(P4-P5) : (J3-J6) : 1 : 1 \pm 2\%$$

$$(P3-P2) : (J4-J5) : 1 : 1 \pm 2\%$$

$$(P8-P9) : (J7-J8) : 1 : 1 \pm 2\%$$

2. Inductance:

$$(P11-P10) ; (P4-P5) ; (P3-P2) ; (P8-P9) : 350\mu\text{H MIN. @ 100KHz, 0.1V, 8mA DC Bias.}$$

3. Insertion Loss:

$$1 \sim 100\text{MHz} : -1.0\text{dB MAX}$$

4. Return Loss (dB MIN):

$$1 \sim 10\text{MHz} : -20 \quad 30\text{MHz} : -16$$

$$60 \sim 80\text{MHz} : -12 \quad 80 \sim 100\text{MHz} : -10$$

5. Crosstalk (dB MIN):

$$1 \sim 10\text{MHz} : -40 \quad 32 \sim 65\text{MHz} : -35$$

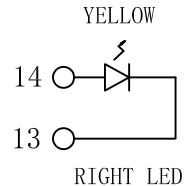
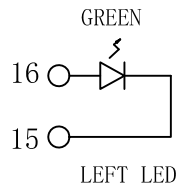
$$65 \sim 100\text{MHz} : -30$$

6. Common Mode Rejection (dB MIN):

$$1 \sim 125\text{MHz} : -30 \quad 125 \sim 500\text{MHz} : -20$$

7. Hipot: 1500Vrms @60Hz

8. Operating Temperature: 0°C ~ 70°C.

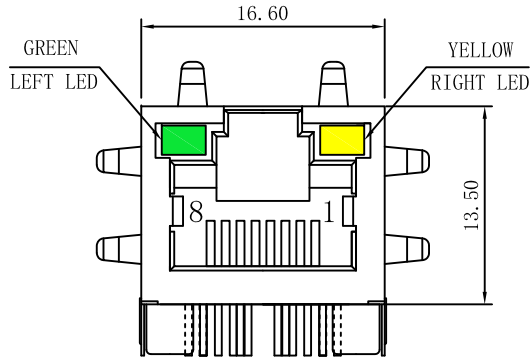


Emitting Color	λ p(nm)	VF@IF=20mA	IR @VR=5V
YELLOW	585	1.8-2.6V	10 μ A max
GREEN	565	1.8-2.6V	10 μ A max

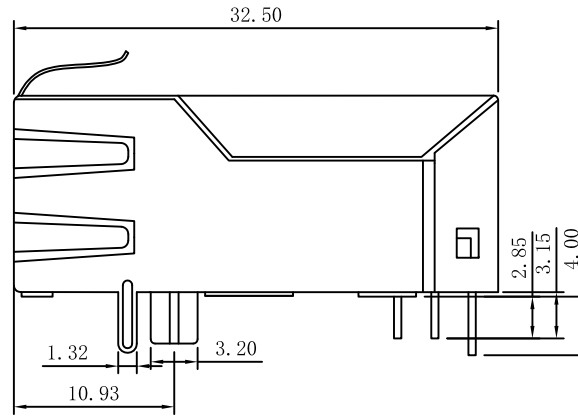
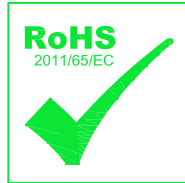
X:X	± 0.30	APPD:	LINK-PP INT'L TECHNOLOGY CO., LIMITED
X:XX	± 0.25	CHKD:	
X:XXX	± 0.05	DR: TOM	
ANGLES	$\pm 1^\circ$	UNIT: mm	TITLE: RJ45 Connector with 1000 Base-T Integrated Magnetics
		PART NO.:	LPJK0036AHNL
	SCALE: 2/1	SHEET: 1/2	REV: A
		DWG NO.:	LP10112410

Mechanical :

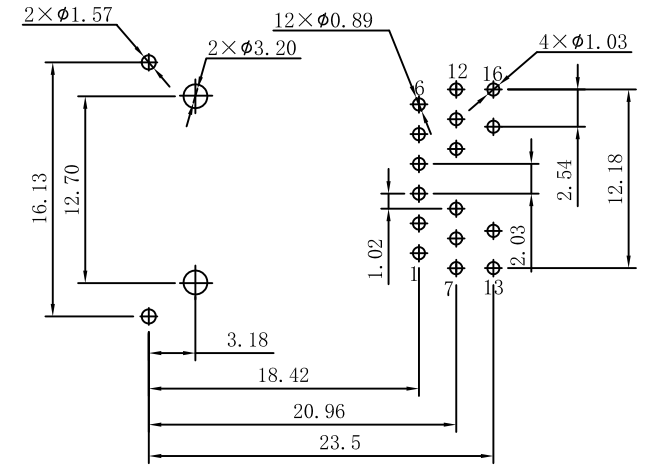
REV.	ECN NO.	DESCRIPTION	DATE	APPD
A	REL		2010-11-24	



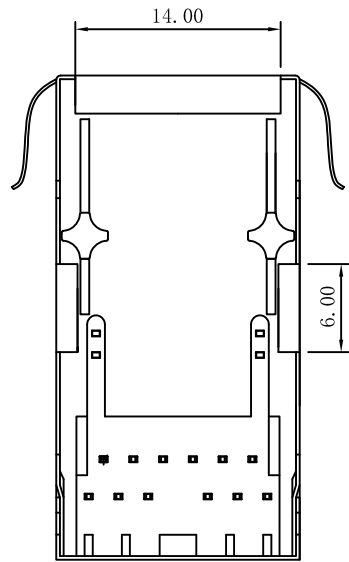
Front Side View



Left Side View



Suggested PCB Layout (Top View)



Bottom Side View



Top Side View

NOTES:

1. Designed to support application, such as SOHO (ADSL modems), LAN-on-Motherboard (LOM), hub and Switches.
2. Meets IEEE 802.3 specification
3. Connector Materials:
 Housing: Thermoplastic UL94V-0
 Contact/Shield: Copper alloy
 Shield plating: Nickel
 Contact plating: Gold 6 micro-inches Min. In contact area.
4. Wave peak temperature: 260°C Max, 5Sec.
5. UL Certification: File Number E484635.

X:X ±0.30	APPD:	LINK-PP INT'L TECHNOLOGY CO., LIMITED
X:XX ±0.25	CHKD:	
X:XXX ±0.05	DR: TOM	TITLE: RJ45 Connector with 1000 Base-T Integrated Magnetics
ANGLES ±1°	UNIT: mm	PART NO.: LPJK0036AHNL
	SCALE: 2/1	SHEET: 2/2
	REV: A	DWG NO.: LP10112410