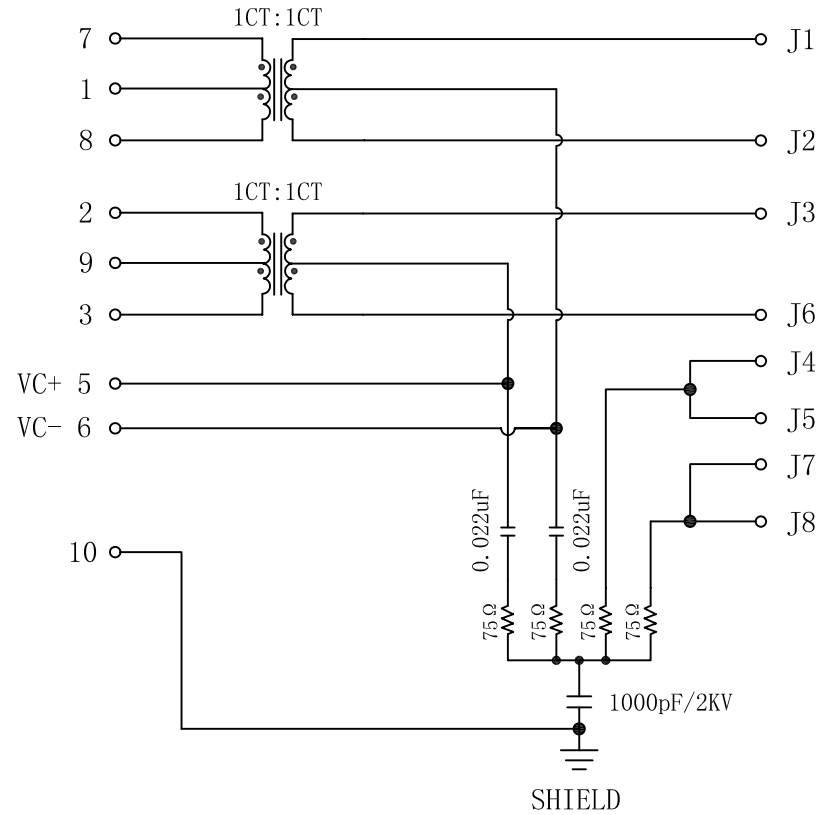


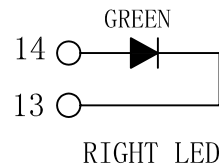
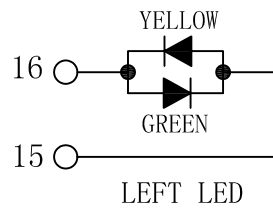
# Schematic:

REV.	ECN NO.	DESCRIPTION	DATE	APPD
A	REL		21/11/2009	



## Electrical Specifications @25°C

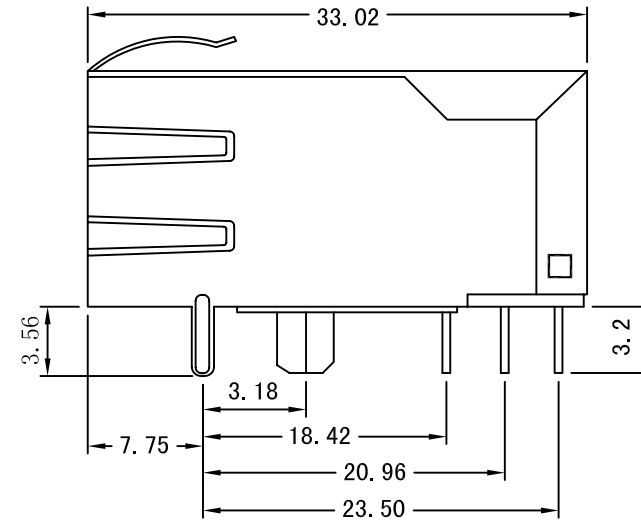
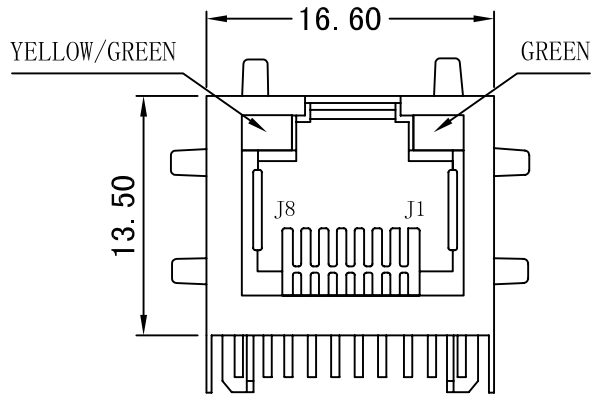
1. OCL: 350uH MIN  
@100KHz 100mV 8mADC Bias
2. Insertion Loss:  
1-100MHz:-1.0dB MAX
3. Return Loss(dB MIN @100Ω ±15Ω):  
1-10MHz:-20; 30MHz:-16  
60-80MHz:-12
4. Crosstalk(dB MIN):  
1-10MHz:-40; 30-60MHz:-35  
65-100MHz:-30
5. Common Mode Rejection(dB MIN):  
1-50MHz:-26; 50-130MHz:-20
6. Hipot: 1500Vrms Min.
7. Operating Temperature: 0°C~70°C.



X:X	±0.20	APPD:	LINK-PP INT'L TECHNOLOGY CO., LIMITED
X:XX	±0.10	CHKD:	
X:XXX	±0.05	DR: TOM	Title: RJ45 Connector with 10/100Base-TX Integrated Magnetic & PoE
ANGLES	±1°	UNIT: mm	PART NO.: LPJK0025AINL
	SCALE: 2/1	SHEET: 1/2	REV: A DWG NO.: LP09112102

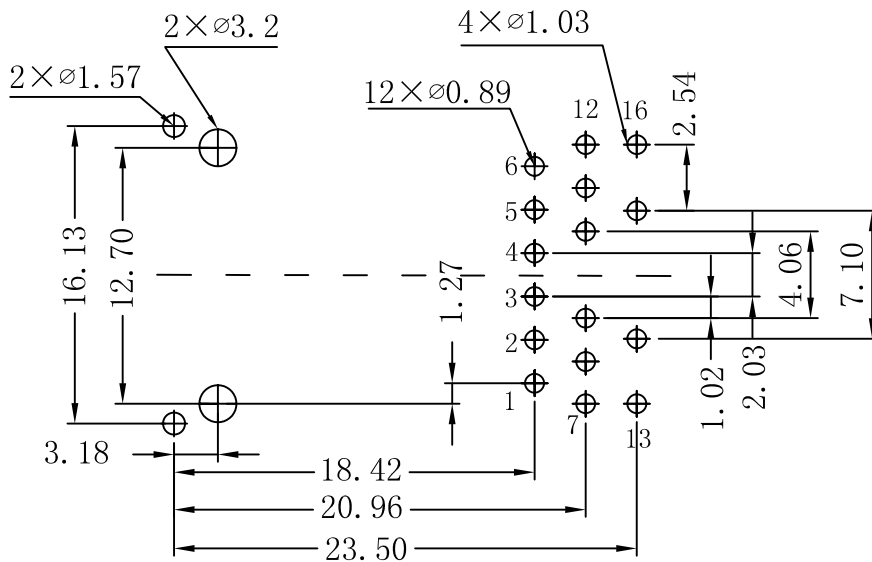
# Mechanical :

REV.	ECN NO.	DESCRIPTION	DATE	APPD
A	REL		21/11/2009	



## NOTES:

1. Designed to support application, such as SOHO (ADSL modems), LAN-on-Motherboard (LOM), hub and Switches.
2. Single Port Connector for PoE applications
3. Meets IEEE 802.3 specification
4. Connector Materials:  
 Housing: Thermoplastic UL94V-0  
 Contact/Shield: Copper alloy  
 Shield plating: Nickel  
 Contact plating: Gold 6 micro-inches min. In contact area.
5. Wave solder tip temperature: 265°C Max  
 Wave solder tip temperature time: 5 Sec Max



SUGGESTED PCB LAYOUT (TOP VIEW)



X:X	±0.20	APPD:	LINK-PP INT'L TECHNOLOGY CO., LIMITED	
X:XX	±0.10	CHKD:	Title: RJ45 Connector with 10/100Base-TX Integrated Magnetic & PoE	
X:XXX	±0.05	DR: TOM	PART NO.: LPJK0025AINL	
ANGLES	±1°	UNIT: mm		
	SCALE: 2/1	SHEET: 2/2	REV: A	DWG NO.: LP09112102