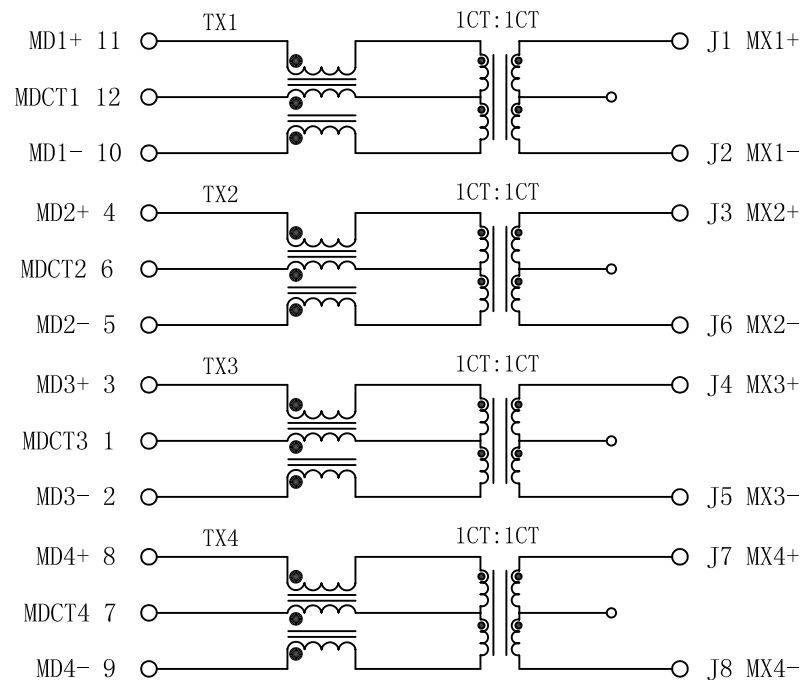


# Schematic:

REV.	ECN NO.	DESCRIPTION	DATE	APPD
A	REL		13/10/2007	

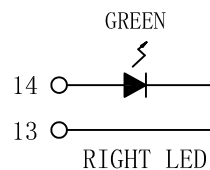
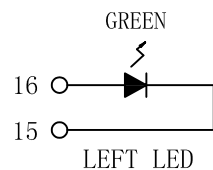
PCB SIDE



CABLE SIDE

## Electrical Specifications @25°C

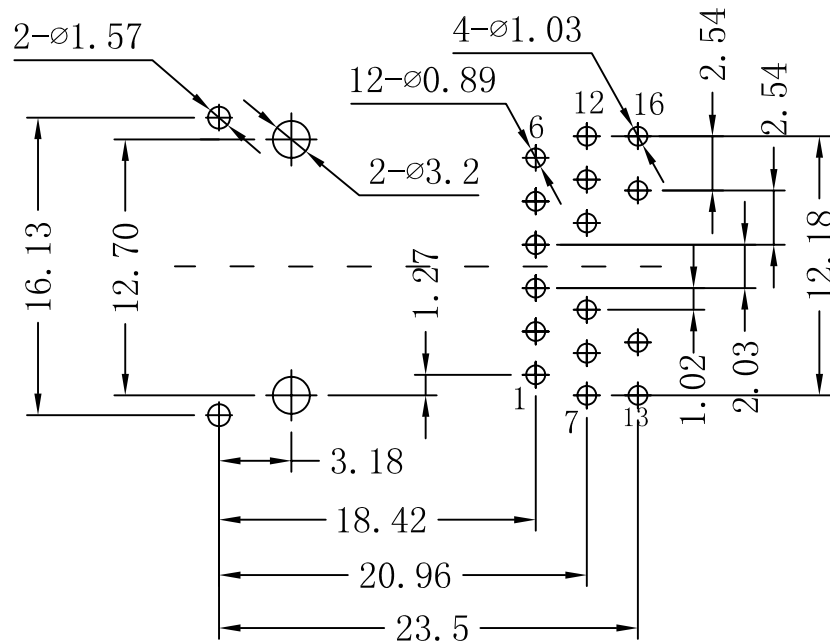
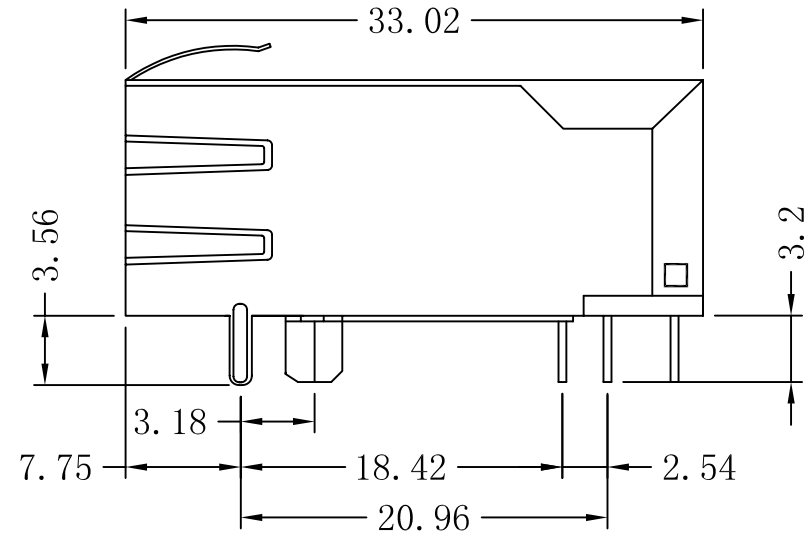
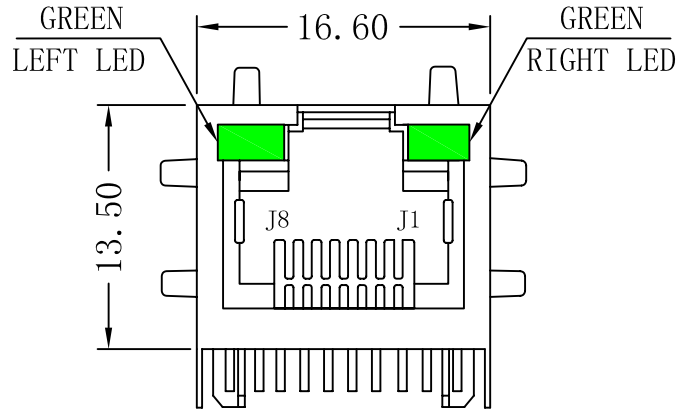
1. OCL: 350uH min  
@100KHz, 100mV, 8mA bias current.
2. Turns Ratio ( $\pm 2\%$ ):  
TX=1CT:1CT      RX=1CT:1CT
3. Insertion Loss:  
1~100MHz: -1.0dB max
4. Return Loss (dB min):  
1~10MHz: -20      30MHz: -16  
60~80MHz: -12      80~100MHz: -10
5. Crosstalk (dB min):  
1~10MHz: -40      32~65MHz: -35  
65~100MHz: -30
6. CMR (dB min):  
1~125MHz: -30      125~500MHz: -20
7. Hi-Pot: 1500Vrms
8. Operating Temperature: 0°C ~ 70°C



X:X	$\pm 0.20$	APPD:	LINK-PP INT'L TECHNOLOGY CO., LIMITED
X:XX	$\pm 0.10$	CHKD:	
X:XXX	$\pm 0.05$	DR: TOM	
ANGLES	$\pm 1^\circ$	UNIT: mm	TITLE: RJ45 Connector with 1000 Base-TX Integrated Magnetic
		PART NO.:	LPJK0014AWN
	SCALE: 2/1	SHEET: 1/2	REV: A
		DWG NO.:	

# Mechanical:

REV.	ECN NO.	DESCRIPTION	DATE	APPD
A	REL		13/10/2007	



SUGGESTED PCB LAYOUT(TOP VIEW)



### NOTES:

1. Designed to support application, such as SOHO (ADSL modems), LAN-on-Motherboard (LOM), hub and Switches.
2. Meets IEEE 802.3 specification
3. Connector Materials:  
 Housing: Thermoplastic UL94V-0  
 Contact/Shield: Copper alloy  
 Shield plating: Nickel  
 Contact plating: Gold 6 micro-inches min. In contact area.
4. Wave solder tip temperature: 265°C Max  
 Wave solder tip temperature time: 5 Sec Max

X:X	±0.20	APPD:	LINK-PP INT'L TECHNOLOGY CO., LIMITED	
X:XX	±0.10	CHKD:	TITLE: RJ45 Connector with 1000 Base-TX Integrated Magnetic	
X:XXX	±0.05	DR: TOM	PART NO.: LPJK0014AWN	
ANGLES	±1°	UNIT: mm		
	SCALE: 2/1	SHEET: 2/2	REV: A	DWG NO.: