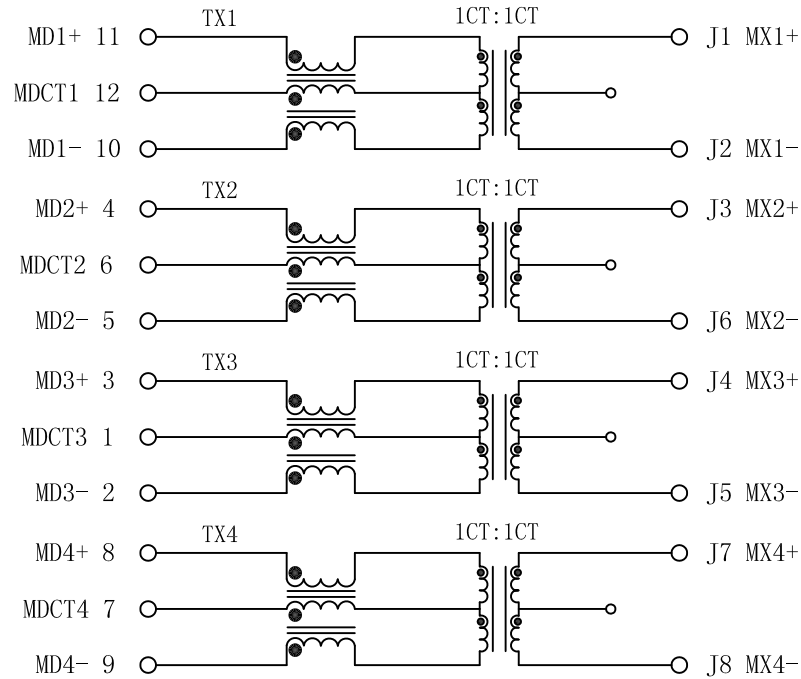


Schematic:

REV.	ECN NO.	DESCRIPTION	DATE	APPD
A	REL		13/10/2007	

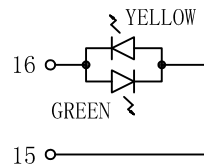
PCB SIDE



CABLE SIDE

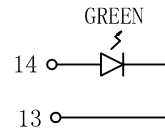
Electrical Specifications @25°C

- Turns Ratio ($\pm 2\%$): 1CT : 1CT
- OCL: 350uH min
@100KHz, 100mV, 8mA bias current.
- Insertion Loss:
1~100MHz: -1.0dB max
- Return Loss (dB min):
1~10MHz: -20 30MHz: -16
60~80MHz: -12 80~100MHz: -10
- Crosstalk (dB min):
1~10MHz: -40 32~65MHz: -35
65~100MHz: -30
- CMR (dB min):
1~125MHz: -30 125~500MHz: -20
- Hi-Pot: 1500V
- Operating Temperature: 0°C ~ 70°C



LEFT LED

LED POLARITY		COLOR
PIN 16	PIN 15	
+	-	GREEN
-	+	YELLOW



RIGHT LED

LED POLARITY		COLOR
PIN 14	PIN 13	
+	-	GREEN

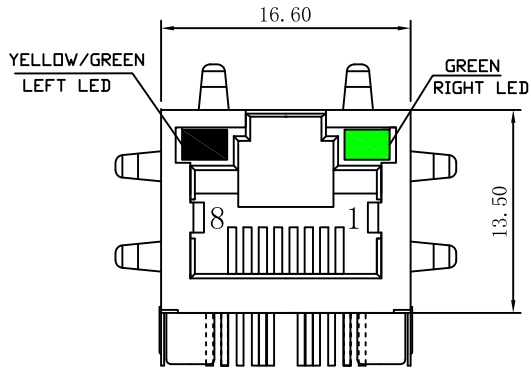


Emitting Color	λ p(nm)	VF@IF=20mA	IR @VR=5V
GREEN	565	1.8~2.6V	10 μ A max
YELLOW	585	1.8~2.6V	10 μ A max

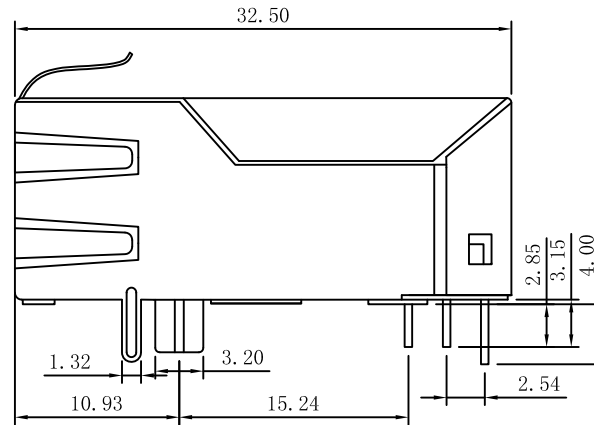
X:X	± 0.30	APPD:	LINK-PP INT'L TECHNOLOGY CO., LIMITED
X:XX	± 0.25	CHKD:	
X:XXX	± 0.05	DR: TOM	TITLE: RJ45 Connector with 1000 Base-TX Integrated Magnetic
ANGLES	$\pm 1^\circ$	UNIT: mm	PART NO.: LPJK0014AINL
	SCALE: 2/1	SHEET: 1/2	REV: A DWG NO.:

Mechanical :

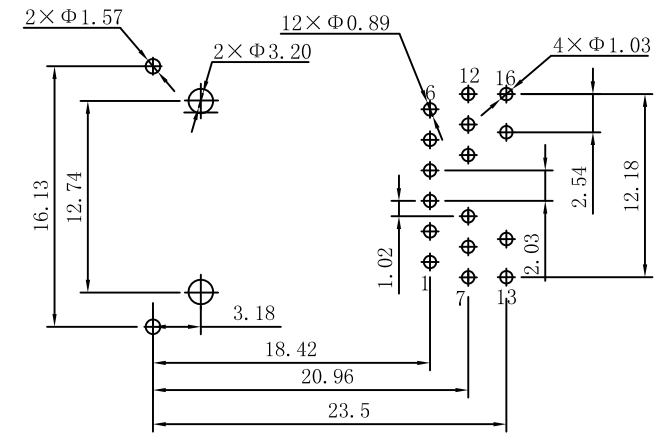
REV.	ECN NO.	DESCRIPTION	DATE	APPD
A	REL		13/10/2007	



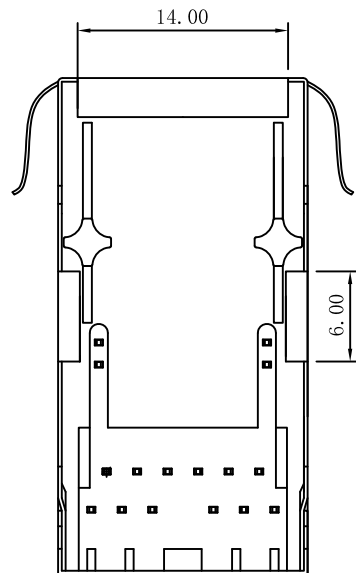
Front Side View



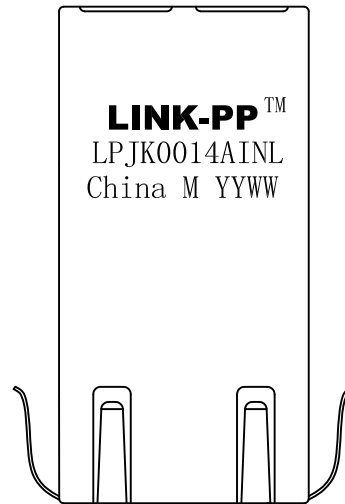
Left Side View



Suggested PCB Layout



Bottom Side View



Top Side View



NOTES:

1. Designed to support application, such as SOHO (ADSL modems), LAN-on-Motherboard (LOM), hub and Switches.
2. Meets IEEE 802.3 specification
3. Connector Materials:
Housing Material: Thermoplastic PBT+30%G.F UL94V-0
Contact Material: Phosphor Bronze C5210R-EH Thickness=0.35mm
Pins: Brass C2680R-H Thickness=0.35mm
Shield: Copper alloy Brass H65Y Thickness=0.2mm
Contact plating: Gold 6 micro-inches min. In contact area.
4. Wave solder tip temperature: 265°C Max, 5 Sec Max

X:X	±0.30	APPD:	LINK-PP INT'L TECHNOLOGY CO., LIMITED	
X:XX	±0.25	CHKD:	TITLE: RJ45 Connector with 1000 Base-TX Integrated Magnetic	
X:XXX	±0.05	DR: TOM	PART NO.: LPJK0014AINL	
ANGLES	±1°	UNIT: mm		
	SCALE: 2/1	SHEET: 2/2	REV: A	DWG NO.: