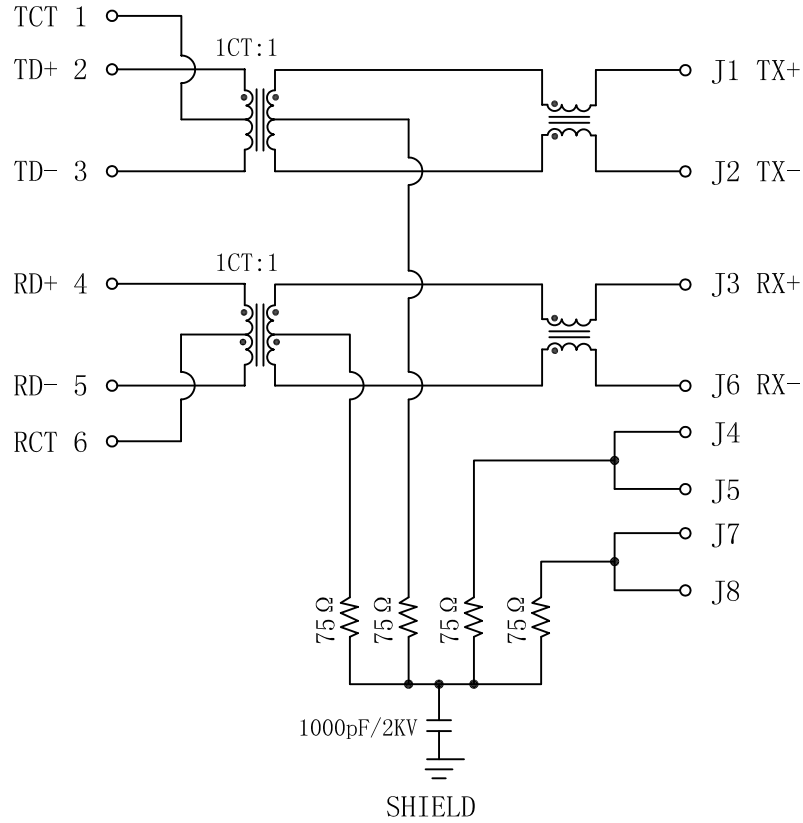


Schematic:

| REV. | ECN NO. | DESCRIPTION | DATE | APPD |
|------|---------|-------------|------------|------|
| A | REL | | 2010/06/11 | |

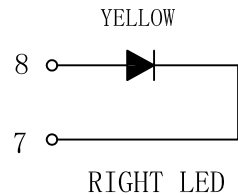
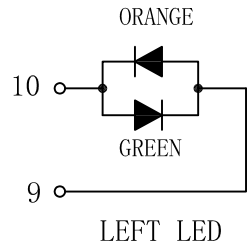
PCB CONNECTIONS TO PHY



CABLE SIDE

Electrical Specifications @25°C

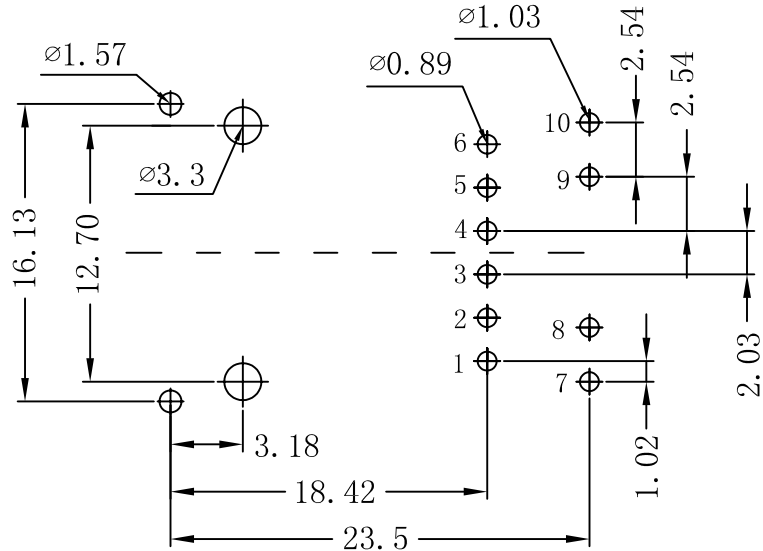
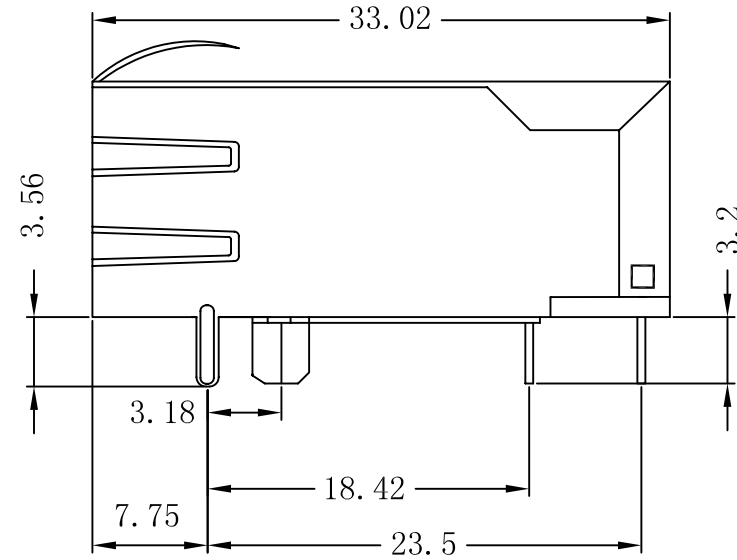
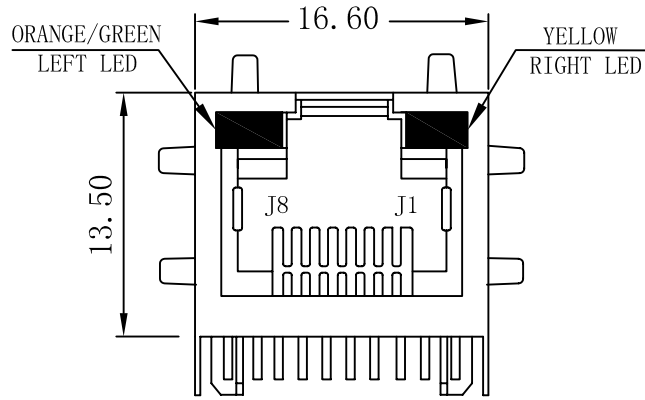
- OCL: 350uH MIN
@ 100KHz/100mVrms 8mA DC Bias
- Turns Ratio:
TX=1CT:1 RX=1CT:1
- Insertion Loss:
1~100MHz: -1.0dB MAX
- Return Loss(dB MIN):
1~30MHz: -18
30~60MHz: -[18+20LOG(F/30MHz)]
60~80MHz: -12
- Crosstalk(TX - RX):
0.5~1MHz: -70 dB MIN
10MHz: -50 dB MIN
30MHz: -45 dB MIN
50MHz: -40 dB MIN
100MHz: -35 dB MIN
- CM To CM REJ:
0.1~1MHz: -70 dB MIN
10MHz: -47 dB MIN
30MHz: -42 dB MIN
60MHz: -37 dB MIN
100MHz: -30 dB MIN
- CM To DM REJ:
0.1~1MHz: -70 dB MIN
10MHz: -60 dB MIN
30MHz: -50 dB MIN
60MHz: -45 dB MIN
100MHz: -40 dB MIN
- Hipot: 1500Vrms
- Operating Temperature: 0°C~70°C.



| | | | | |
|--------|------------|------------|---|---------------------|
| X:X | ±0.20 | APPD: | LINK-PP INT'L TECHNOLOGY CO., LIMITED | |
| X:XX | ±0.10 | CHKD: | Title: RJ45 Connector With 10/100 Base-TX Integrated Magnetic | |
| X:XXX | ±0.05 | DR: TOM | | |
| ANGLES | ±1° | UNIT: mm | PART NO.: LPJK0005AONL | |
| | SCALE: 2/1 | SHEET: 1/2 | REV: A | DWG NO.: LP11050701 |

Mechanical :

| REV. | ECN NO. | DESCRIPTION | DATE | APPD |
|------|---------|-------------|------------|------|
| A | REL | | 2011/05/07 | |



SUGGESTED PCB LAYOUT (TOP VIEW)



NOTES:

1. Designed to support application, such as SOHO (ADSL modems), LAN-on-Motherboard (LOM), hub and Switches.
2. Meets IEEE 802.3 specification
3. Connector Materials:
 Housing: Thermoplastic UL94V-0
 Contact/Shield: Copper alloy
 Shield plating: Nickel
 Contact plating: Gold 6 micro-inches min. In contact area.
4. Wave solder tip temperature: 265°C Max
 Wave solder tip temperature time: 5 Sec Max

| | | | |
|--------|------------|------------|---|
| X:X | ±0.20 | APPD: | LINK-PP INT'L TECHNOLOGY CO., LIMITED |
| X:XX | ±0.10 | CHKD: | |
| X:XXX | ±0.05 | DR: TOM | Title: RJ45 Connector With 10/100 Base-TX Integrated Magnetic |
| ANGLES | ±1° | UNIT: mm | PART NO.: LPJK0005AONL |
| | SCALE: 2/1 | SHEET: 2/2 | REV: A DWG NO.: LP11050701 |