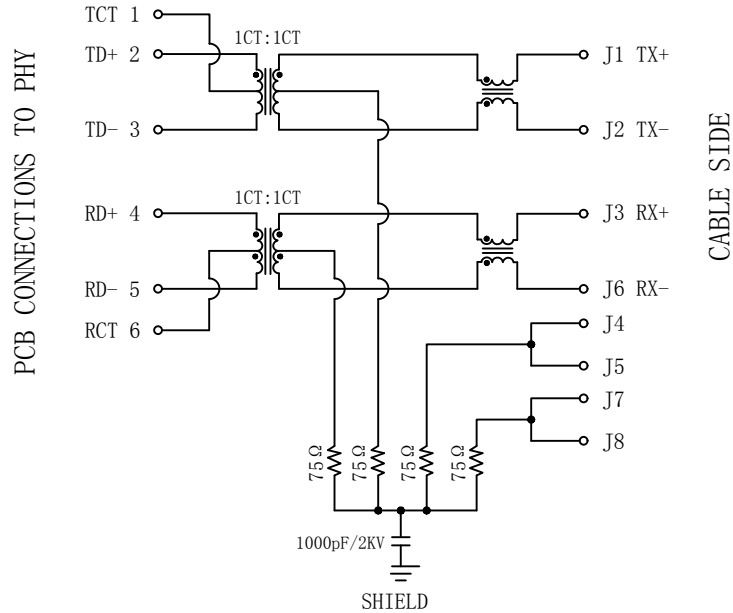


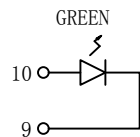
# Schematic:

REV.	ECN NO.	DESCRIPTION	DATE	APPD
A	REL		2023-03-15	



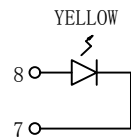
### Electrical Specifications @25°C

- Turns Ratio:  
TX=1CT:1CT RX=1CT:1CT
- OCL: 350uH MIN  
@100KHz/100mVrms 8mA DC Bias
- Insertion Loss:  
1~100MHz: -1.0dB MAX
- Return Loss(dB MIN):  
1~30MHz: -18  
30~60MHz:  $-[18+20\text{LOG}(F/30\text{MHz})]$   
60~80MHz: -12
- Crosstalk(TX - RX):  
0.5~1MHz: -70 dB MIN  
10MHz: -50 dB MIN  
30MHz: -45 dB MIN  
50MHz: -40 dB MIN  
100MHz: -35 dB MIN
- CM To CM REJ:  
0.1~1MHz: -70 dB MIN  
10MHz: -47 dB MIN  
30MHz: -42 dB MIN  
60MHz: -37 dB MIN  
100MHz: -30 dB MIN
- CM To DM REJ:  
0.1~1MHz: -70 dB MIN  
10MHz: -60 dB MIN  
30MHz: -50 dB MIN  
60MHz: -45 dB MIN  
100MHz: -40 dB MIN
- Hipot: 1500Vrms
- Operating Temperature: 0°C~70°C.



RIGHT LED

LED POLARITY		COLOR
PIN 10	PIN 9	
+	-	GREEN



RIGHT LED

LED POLARITY		COLOR
PIN 8	PIN 7	
+	-	YELLOW

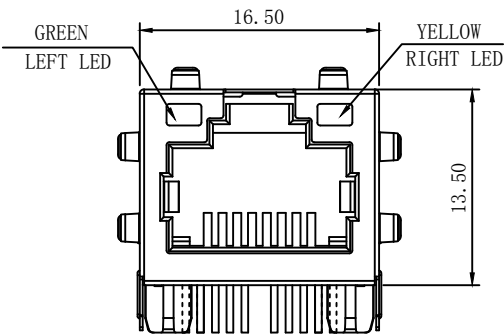


Emitting Color	$\lambda_p$ (nm)	V <sub>F</sub> @I <sub>F</sub> =20mA	I <sub>R</sub> @V <sub>R</sub> =5V
GREEN	565	1.8~2.6V	10 $\mu$ A max
YELLOW	585	1.8~2.6V	10 $\mu$ A max

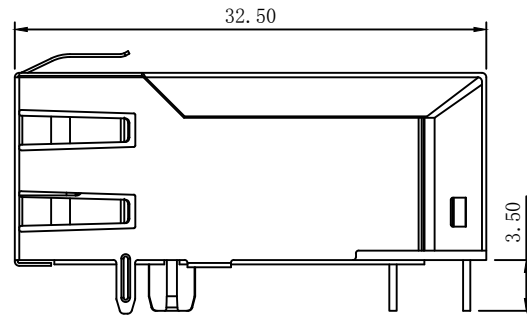
X:X	±0.30	APPD: TOM	LINK-PP INT'L TECHNOLOGY CO., LIMITED
X:XX	±0.25	CHKD: JAMES	
X:XXX	±0.05	DR: LEO	
ANGLES ±1°		UNIT: mm	TITLE: RJ45 Connector with 10/100 Base-TX Integrated Magnetic
PART NO.:		LPJK0005AHNL	
SCALE: 2/1		SHEET: 1/2	REV: A
DWG NO.:		LP23031511	

# Mechanical :

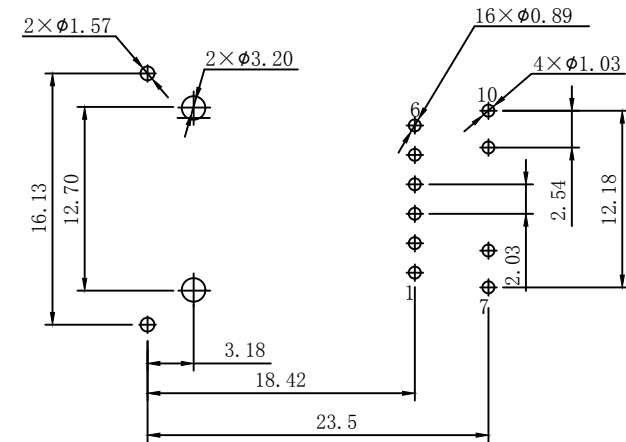
REV.	ECN NO.	DESCRIPTION	DATE	APPD
A	REL		2023-03-15	



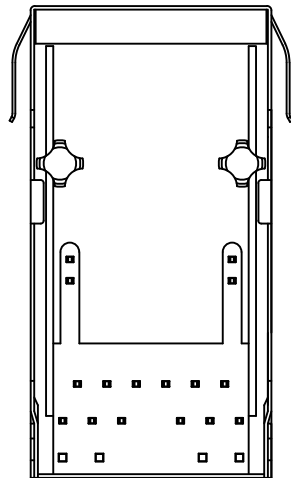
Front Side View



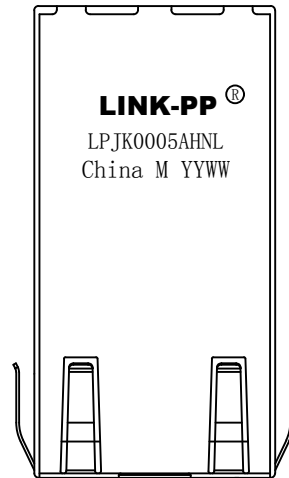
Left Side View



Suggested PCB Layout (Top View)



Bottom Side View



Top Side View

## NOTES:

1. Designed to support application, such as SOHO (ADSL modems), LAN-on-Motherboard (LOM), hub and Switches.
2. Meets IEEE 802.3 specification
3. Connector Materials:  
Housing Material: Thermoplastic PBT+30%G.F UL94V-0  
Contact Material: Phosphor Bronze C5210R-EH Thickness=0.35mm  
Pins: Brass C2680R-H Thickness=0.35mm  
Shield: Copper alloy Brass H65Y Thickness=0.2mm  
Contact plating: Gold 6 micro-inches min. In contact area.
4. Wave solder tip temperature: 260°C, 5 Sec.
5. UL Certification: File Number E484635.



X:X	±0.30	APPD:	TOM	LINK-PP INT'L TECHNOLOGY CO., LIMITED
X:XX	±0.25	CHKD:	JAMES	
X:XXX	±0.05	DR:	LEO	TITLE: RJ45 Connector with 10/100 Base-TX Integrated Magnetic
ANGLES	±1°	UNIT:	mm	PART NO.: LPJK0005AHNL
	SCALE:	2/1	SHEET:	2/2
	REV:	A	DWG NO.:	LP23031511