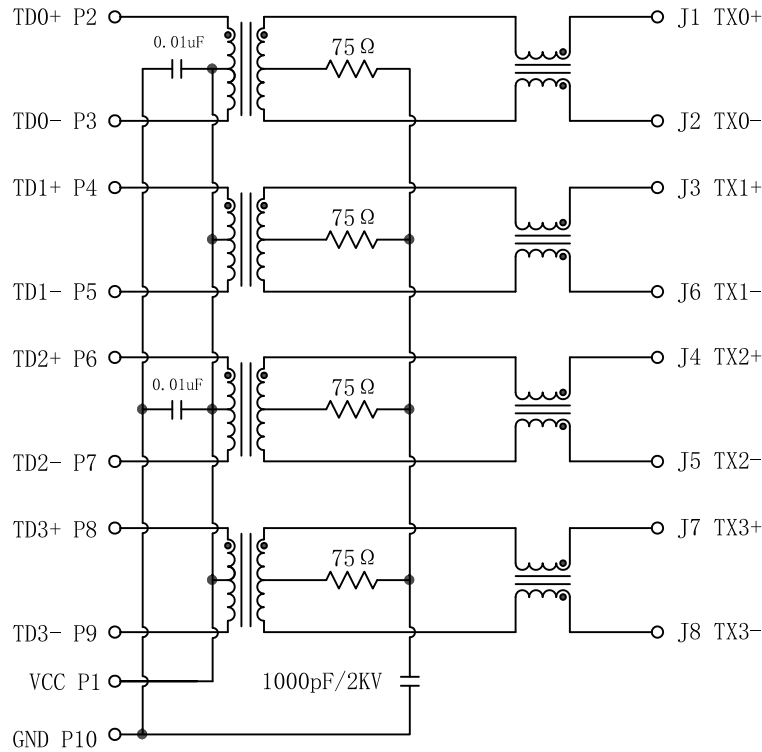


Schematic:

REV.	ECN NO.	DESCRIPTION	DATE	APPD
A	REL		2015-06-26	

PCB CONNECTIONS



RJ45 CONNECTOR

ELECTRICAL SPECIFICATIONS @25°C

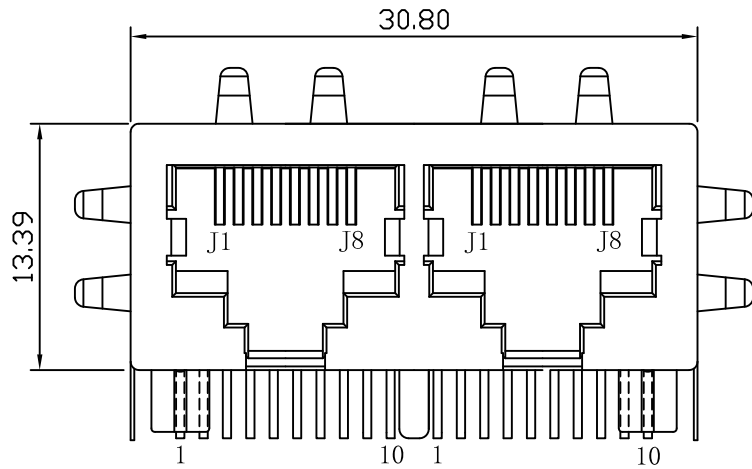
- Turn Ratio($\pm 2\%$):
1CT:1CT
- Inductance OCL:
350uH MIN@100KHz/0.1V,8mA DC Bias
- DCR: 1.2 Ω MAX
- Insertion Loss:
-1.0dB MAX @ 1-100MHz
- Return Loss:
-18dB MIN @ 1-40MHz
-14dB MIN @ 60MHz
-12dB MIN @ 80MHz
-10dB MIN @ 100MHz
- Cross talk:
-40dB MIN @ 1-30MHz
-35dB MIN @ 30-60MHz
-30dB MIN @ 60-100MHz
- Common Mode Rejection:
-30dB MIN @ 1-50MHz
-20dB MIN @ 50-150MHz
- Hipot: 1500Vrms MIN
- Operating Temperature: 0°C TO 70°C.



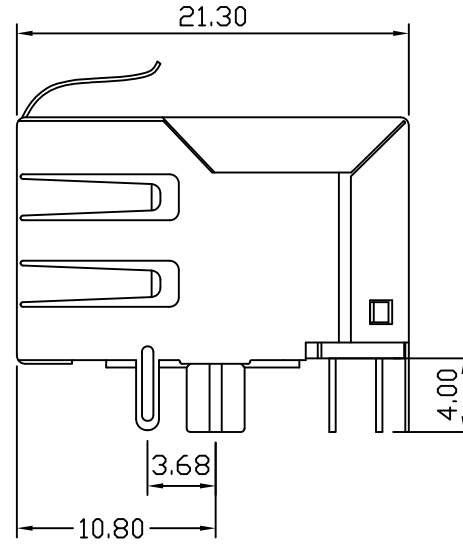
X:X	± 0.30	APPD:	LINK-PP INT'L TECHNOLOGY CO., LIMITED	
X:XX	± 0.25	CHKD:	TITLE: 1*2 RJ45 Connector with 1000 BASE-T Integrated Magnetics	
X:XXX	± 0.05	DR: TOM	PART NO.: LPJGF26826CNL	
ANGLES	$\pm 1^\circ$	UNIT: mm	SCALE: 2/1	SHEET: 1/2
		REV: A	DWG NO.: LP15091412	

Mechanical:

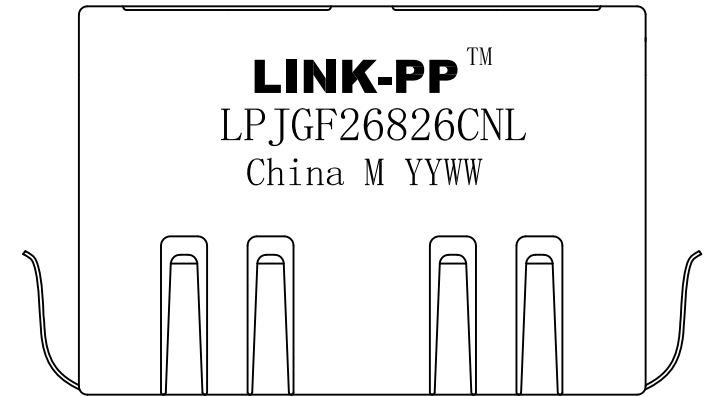
REV.	ECN NO.	DESCRIPTION	DATE	APPD
A	REL		2015-06-26	



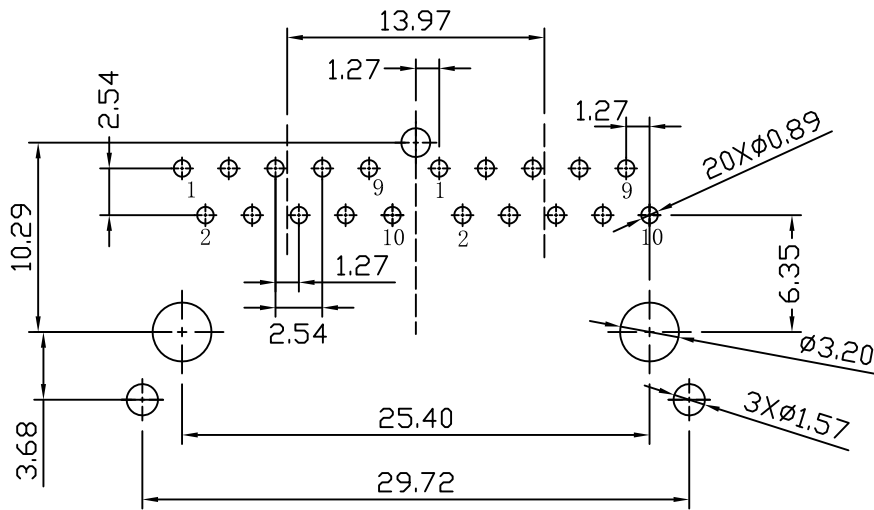
Front Side View



Left Side View



Top Side View



SUGGESTED PCB LAYOUT(TOP VIEW)



NOTES:

1. Meets IEEE 802.3 specification
2. Connector Materials:
 Housing Material: Thermoplastic PA46+30%G.F UL94V-0
 Contact Material: Phosphor Bronze C5210R-EH Thickness=0.35mm
 Pins: Brass C2680R-H Thickness=0.35mm
 Shield: SUS 201-1/2H Thickness=0.2mm
 Contact plating: Gold 6 micro-inches min. In contact area.
3. Wave solder tip temperature: 265°C Max, 5 Sec Max.
4. UL Certification: File Number E484635.

X:X ±0.30	APPD:	LINK-PP INT'L TECHNOLOGY CO., LIMITED		
X:XX ±0.25	CHKD:	TITLE: 1*2 RJ45 Connector with 1000 BASE-T Integrated Magnetics		
X:XXX ±0.05	DR: TOM	PART NO.: LPJGF26826CNL		
ANGLES ±1°	UNIT: mm			
	SCALE: 2/1	SHEET: 2/2	REV: A	DWG NO.: LP15091412