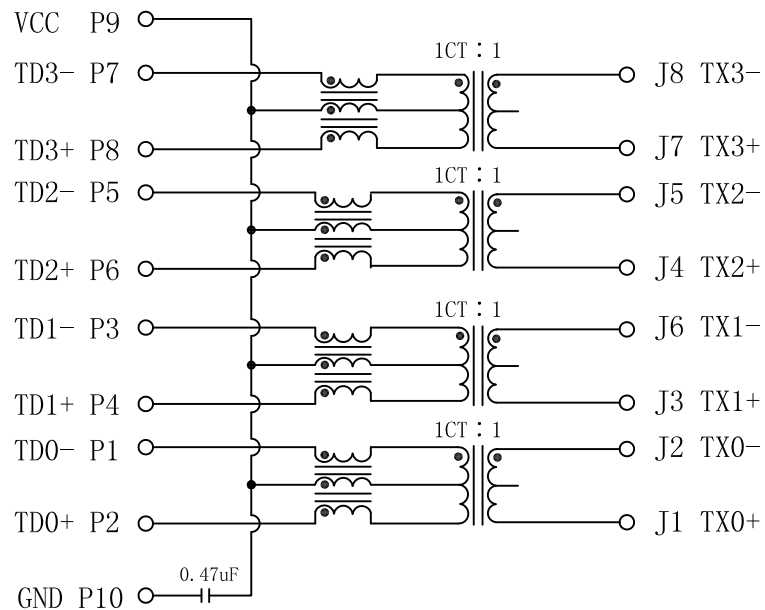


# Schematic:

REV.	ECN NO.	DESCRIPTION	DATE	APPD
A	REL		2011/03/30	

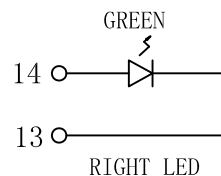
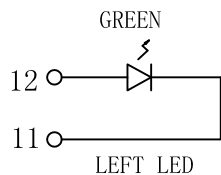
PCB CONNECTIONS



RJ45 CONNECTOR

Electrical Specifications @25°C

- Turns Ratio: 1CT : 1
- OCL (@100KHz, 0.1V, 8mA DC BIAS):  
350uH MIN
- Insertion Loss:  
1~100MHz: -1.0dB MAX
- Return Loss:  
1~10MHz: -20dB MIN. load 100Ω±15Ω  
30MHz: -16dB MIN. load 100Ω±15Ω  
60~80MHz: -12dB MIN. load 100Ω±15Ω
- Crosstalk:  
1~10MHz: -40dB MIN  
30~60MHz: -35dB MIN  
60~100MHz: -30dB MIN
- Common Mode Rejection:  
1~125MHz: -30dB MIN  
125~500MHz: -20dB MIN
- HiPot Test: 1500Vrms MIN
- Operating Temperature: 0 TO +70°C.

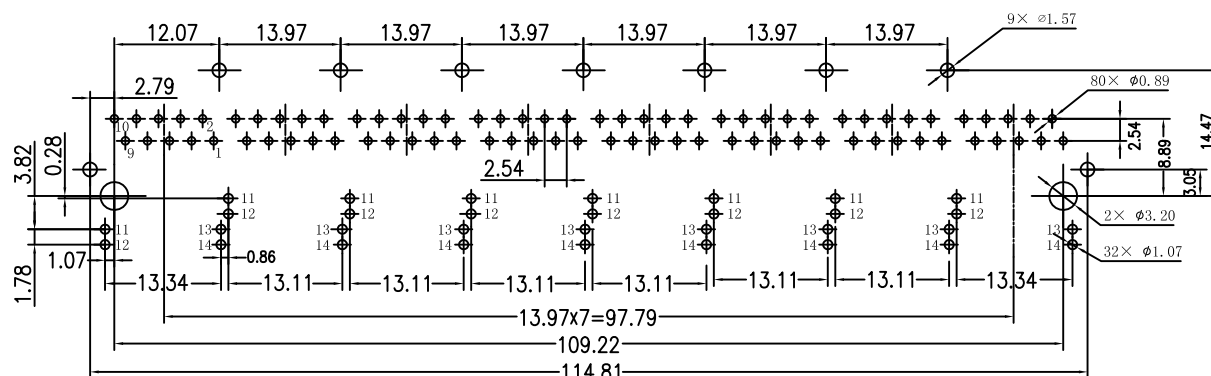
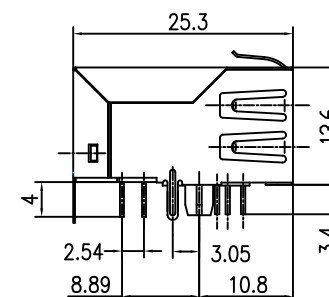
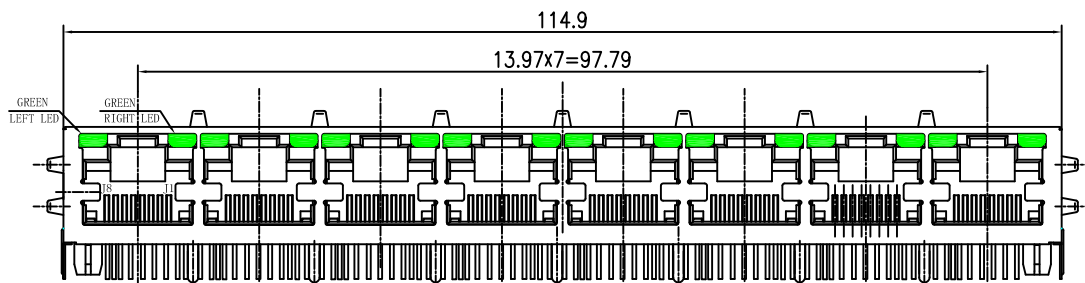


Emitting Color	λ p(nm)	VF@IF=20mA	IR @VR=5V
Green	570	1.8~2.6V	10 μ A max

X:X	±0.30	APPD:	LINK-PP INT'L TECHNOLOGY CO., LIMITED	
X:XX	±0.25	CHKD:	TITLE: RJ45 Connector With 1000 Base-TX Integrated Magnetic	
X:XXX	±0.05	DR:		
ANGLES	±1°	UNIT: mm	PART NO.: LPJG88851AWNL	
	SCALE: 2/1	SHEET: 1/2	REV: A	DWG: LP11033010

# Mechanical:

REV.	ECN NO.	DESCRIPTION	DATE	APPD
A	REL		2011/03/30	



SUGGESTED PCB LAYOUT (TOP VIEW)



## NOTES:

1. Designed to support application, such as SOHO (ADSL modems), LAN-on-Motherboard (LOM), hub and Switches.
2. Meets IEEE 802.3 specification
3. Connector Materials:  
 Housing: Thermoplastic UL94V-0  
 Contact/Shield: Copper alloy  
 Shield plating: Nickel  
 Contact plating: Gold 6 micro-inches min. In contact area.
4. Wave solder tip temperature: 265°C Max, 5 Sec Max.

X:X	±0.30	APPD:	LINK-PP INT'L TECHNOLOGY CO., LIMITED	
X:XX	±0.25	CHKD:	TITLE: RJ45 Connector With 1000 Base-TX Integrated Magnetic	
X:XXX	±0.05	DR: TOM	PART NO.: LPJG88851AWN	
ANGLES	±1°	UNIT: mm	DWG: LP11033010	
SCALE: 2/1		SHEET: 2/2		REV: A