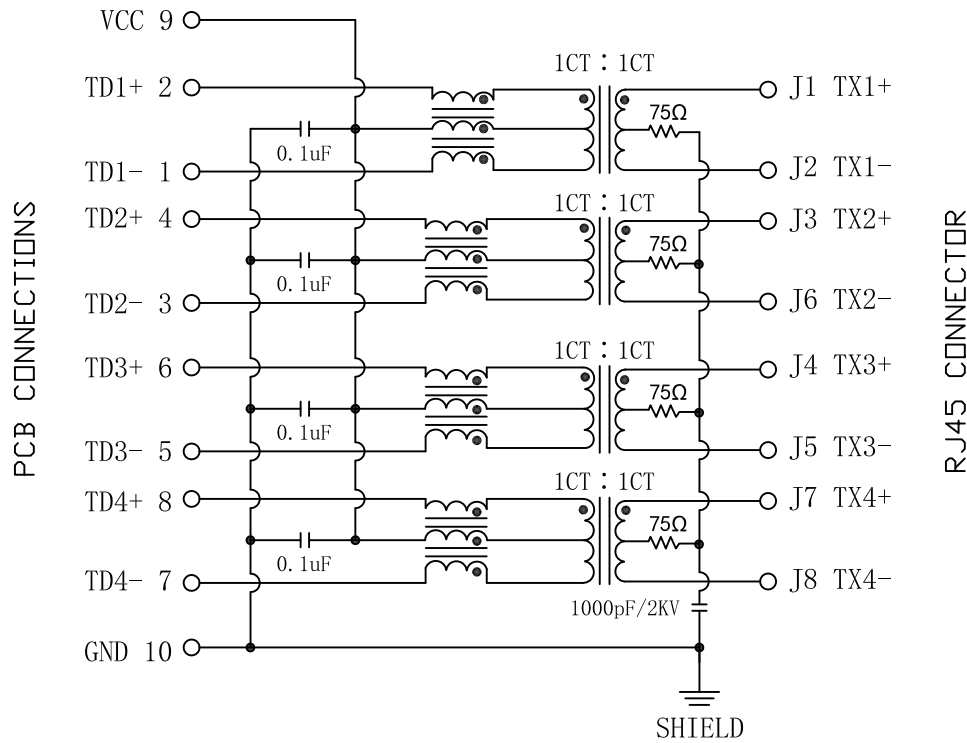


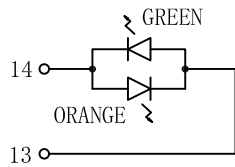
Schematic:

REV.	ECN NO.	DESCRIPTION	DATE	APPD
A	REL		2014-02-20	

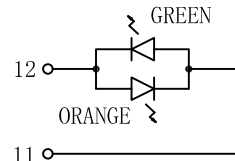


Electrical Specifications @25°C

- Turns Ratios:
Pri:Sec = 1CT:1CT
- OCL(@100KHz, 0.1V, 8mA DC Bias):
350uH MIN
- Insertion Loss:
0.5~100MHz:-1.1dB MAX
- Return Loss:
0.5~40MHz:-18dB MIN
40.1~100MHz:-12-20LOG(f/80) dB MIN.
- Crosstalk:
0.5~40MHz:-35dB MIN
40.1~100MHz:-33-20LOG(f/50) dB MIN.
- Common Mode Rejection Ratio:
0.5~100MHz:-30dB MIN
- Hipot Test: 1500Vrms MIN
- Operating Temperature: -40°C TO +85°C.



LEFT LED



LEFT LED

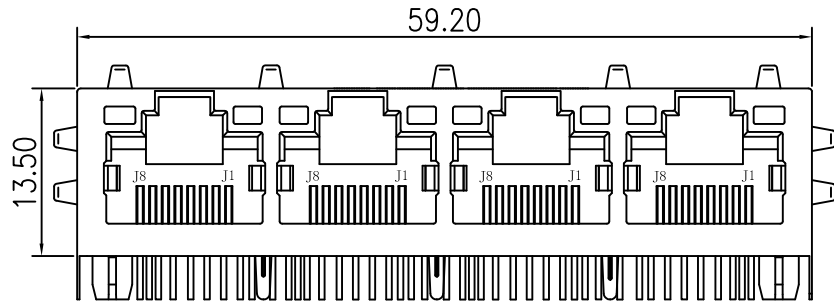


Emitting Color	λ p(nm)	VF@IF=20mA	IR @VR=5V
GREEN	565	1.8~2.4V	10 μ A max
ORANGE	610	1.8~2.4V	10 μ A max

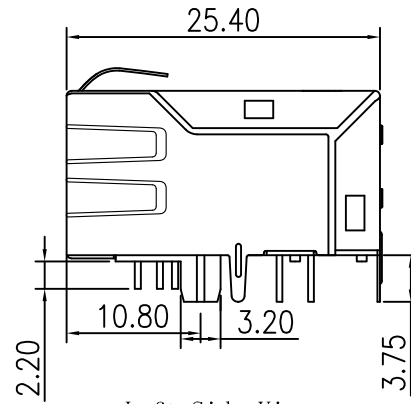
X:X	± 0.30	APPD:	LINK-PP INT'L TECHNOLOGY CO., LIMITED
X:XX	± 0.25	CHKD:	
X:XXX	± 0.05	DR: SEA	TITLE: 1*4 RJ45 Connector With 1000 Base-TX Integrated Magnetic
ANGLES	$\pm 1^\circ$	UNIT: mm	PART NO.: LPJG49854A31NL
	SCALE: 2/1	SHEET: 1/2	REV: A
			DWG: LP14022030

Mechanical:

REV.	ECN NO.	DESCRIPTION	DATE	APPD
A	REL		2014-02-20	



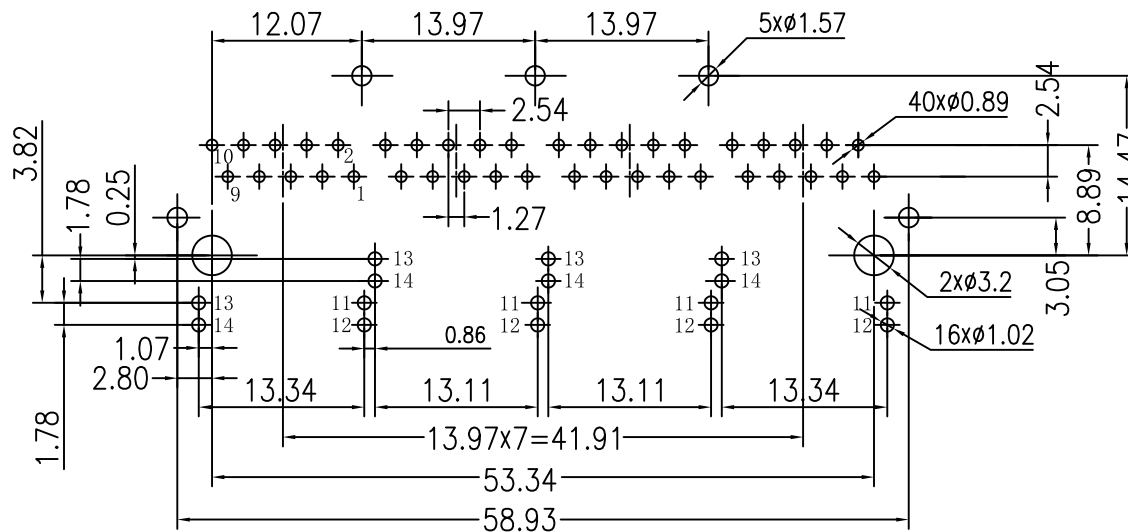
Front Side View



Left Side View



Top Side View



Suggested PCB Layout (Top View)

NOTES:

1. Designed to support application, such as SOHO (ADSL modems), LAN-on-Motherboard (LOM), hub and Switches.
2. Meets IEEE 802.3 specification
3. Connector Materials:
 Housing: Thermoplastic PA66+30%G.F UL94V-0
 Contact: Phosphor Bronze C5210R-EH Thickness=0.35mm
 Pins: Brass C2680R-H Thickness=0.35mm
 Shield: SUS 201-1/2H Thickness=0.2mm
 Contact plating: Gold 6 micro-inches min. In contact area.
4. Wave solder tip temperature: 265°C Max, 5 Sec Max.
5. UL Certification: File Number E484635.

X:X	±0.30	APPD:	LINK-PP INT'L TECHNOLOGY CO., LIMITED	
X:XX	±0.25	CHKD:		
X:XXX	±0.05	DR: SEA	TITLE: 1*4 RJ45 Connector With 1000 Base-TX Integrated Magnetic	
ANGLES	±1°	UNIT: mm	PART NO.: LPJG49854A31NL	
	SCALE: 2/1	SHEET: 2/2	REV: A	DWG: LP14022030