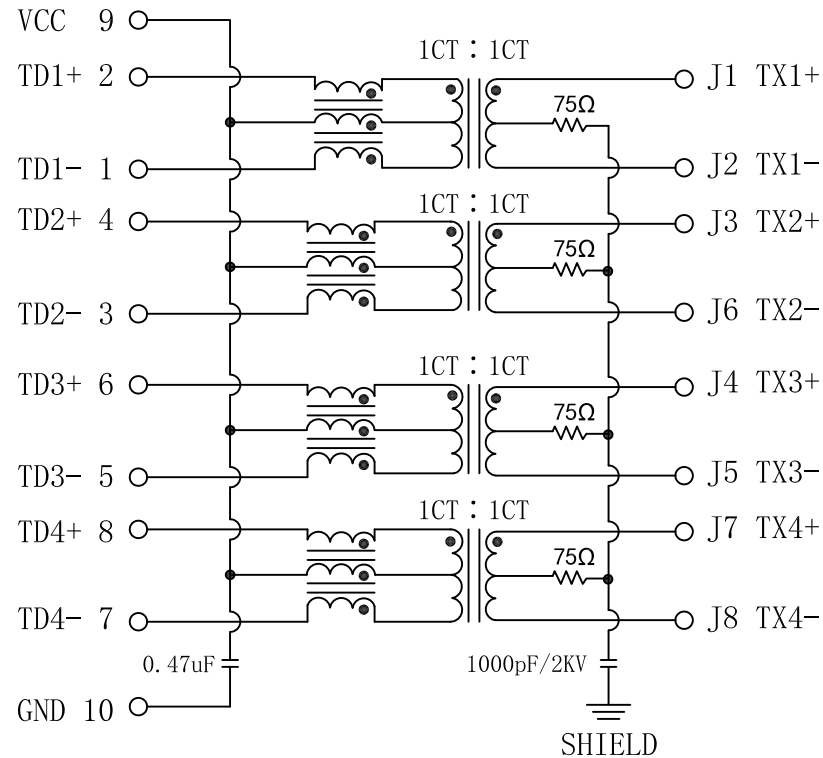


Schematic:

REV.	ECN NO.	DESCRIPTION	DATE	APPD
A	REL		2016/09/21	

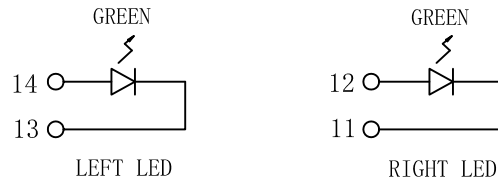
PCB CONNECTIONS



RJ45 CONNECTOR

Electrical Specifications @25°C

- Turn Ratio:
Pri : Sec = 1CT : 1CT
- OCL (@100KHz, 0.1V, 8mA DC Bias):
350uH MIN
- Insertion Loss:
0.3~100MHz:-1.0dB MAX
- Return Loss(dB MIN):
1~10MHz:-18 10~30MHz:-16
30~60MHz:-12 60~80MHz:-10
- Crosstalk(dB MIN):
1~30MHz:-35 30~60MHz:-30
60~100MHz:-24
- Common Mode Rejection(dB MIN):
1~50MHz:-30 50~150MHz:-20
- Hipot Test: 1500V AC 1mA 1S
- Operating Temperature: 0°C to 70°C.



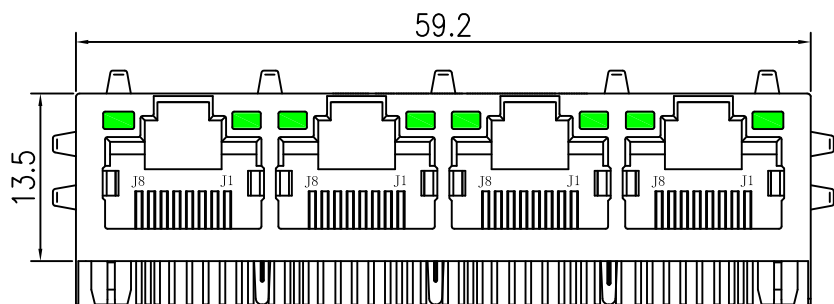
Emitting Color	λ p(nm)	V _F @I _F =20mA	I _R @V _R =5V
GREEN	565	1.8~2.6V	10 μ A max



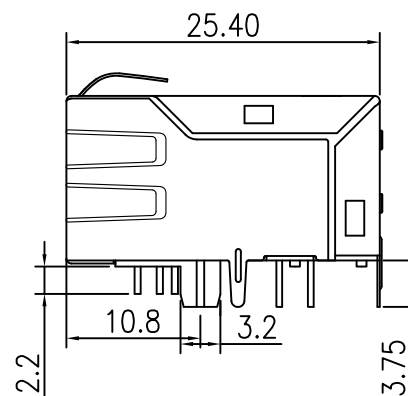
X:X	±0.30	APPD:	LINK-PP INT'L TECHNOLOGY CO., LIMITED
X:XX	±0.25	CHKD:	
X:XXX	±0.05	DR: TOM	TITLE: RJ45 Connector With 1000 Base-TX Integrated Magnetic
ANGLES	±1°	UNIT: mm	PART NO.: LPJG48853AWN
	SCALE: 2/1	SHEET: 2/2	REV: A DWG: LP16092102

Mechanical:

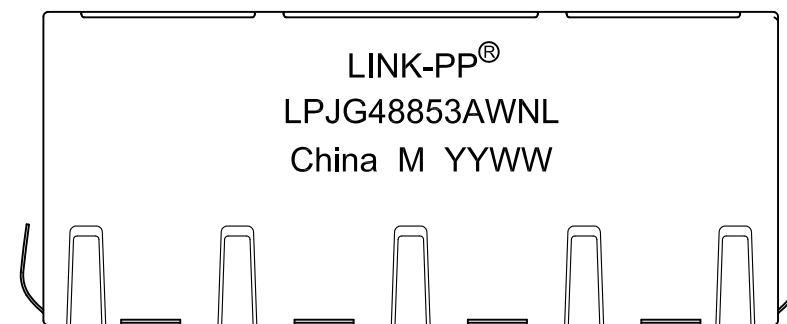
REV.	ECN NO.	DESCRIPTION	DATE	APPD
A	REL		2016/09/21	



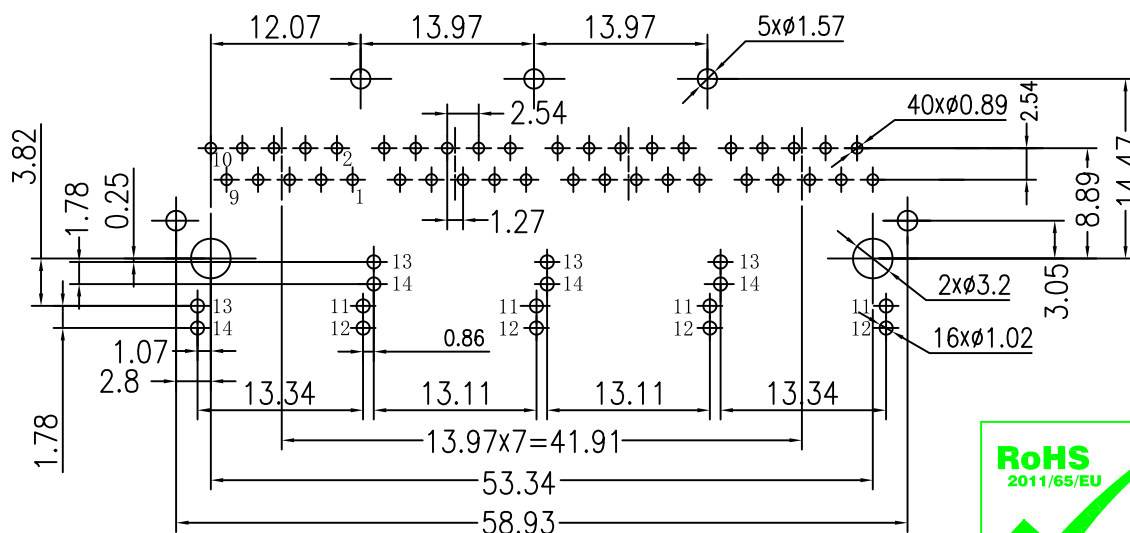
Front Side View



Left Side View



Top Side View



Suggested PCB Layout (Top View)



NOTES:

1. Designed to support application, such as SOHO (ADSL modems), LAN-on-Motherboard (LOM), hub and Switches.
2. Meets IEEE 802.3 specification
3. Connector Materials:
 Housing Material: Thermoplastic PBT+30%G.F UL94V-0
 Contact Material: Phosphor Bronze C5210R-EH Thickness=0.35mm
 Pins: Brass C2680R-H Thickness=0.35mm
 Shield: SUS 201-1/2H Thickness=0.2mm
 Contact plating: Gold 6 micro-inches min. In contact area.
4. Wave solder tip temperature: 265°C Max, 5 Sec.
5. UL Certification: File Number E484635.

X:X	±0.30	APPD:	LINK-PP INT'L TECHNOLOGY CO., LIMITED	
X:XX	±0.25	CHKD:	TITLE: RJ45 Connector With 1000 Base-TX Integrated Magnetic	
X:XXX	±0.05	DR: TOM	PART NO.: LPJG48853AWN L	
ANGLES	±1°	UNIT: mm	DWG: LP16092102	
	SCALE: 2/1	SHEET: 2/2	REV: A	