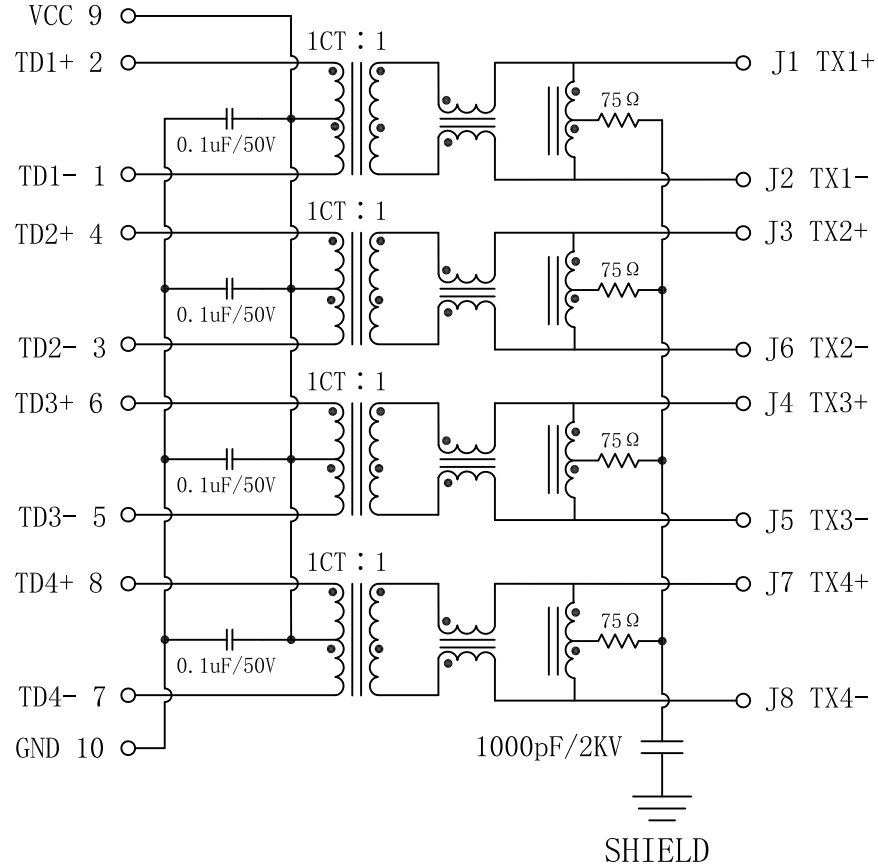


Schematic:

REV.	ECN NO.	DESCRIPTION	DATE	APPD
A	REL		20141/01/04	

PCB CONNECTIONS

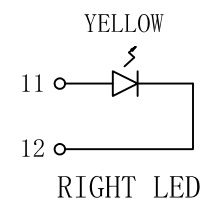
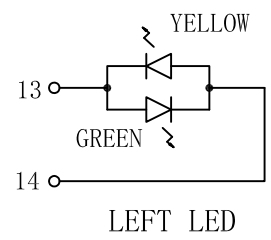


RJ45 CONNECTOR

Electrical Specifications @25°C

1. OCL(100KHz, 0.1V, 8mA DC BIAS):
350uH MIN
2. Insertion Loss:
0.5~100MHz:-1.1dB MAX
3. Return Loss:
0.5~40MHz:-18dB MIN
40.1~100MHz:-12-20LOG(f/80) dB MIN.
4. Crosstalk:
0.5~40MHz:-35dB MIN
40.1~100MHz:-33-20LOG(f/50) dB MIN.
5. Common Mode Rejection Ratio:
0.5~100MHz:-30dB MIN
6. Hipot Test: 1500Vrms MIN
7. Operating Temperature: 0°C TO +70°C.

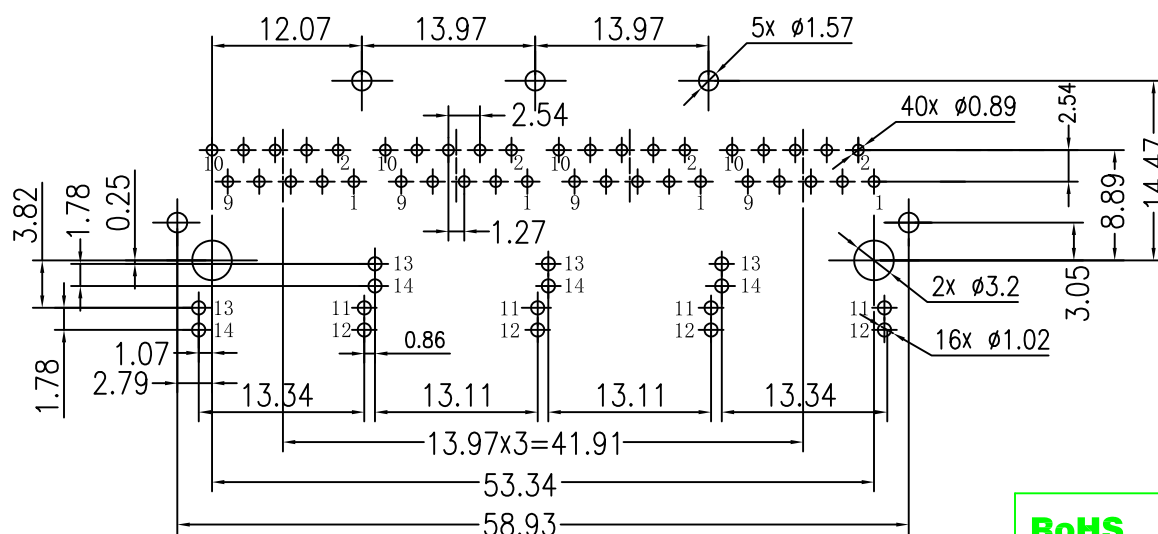
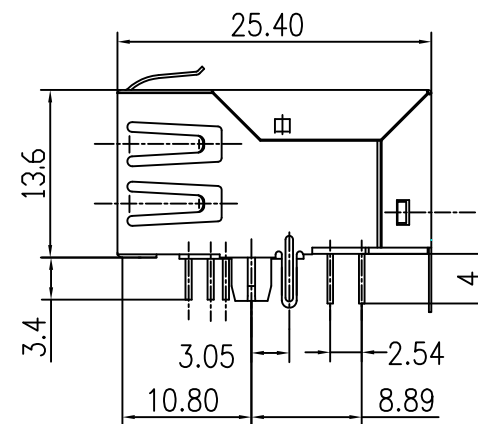
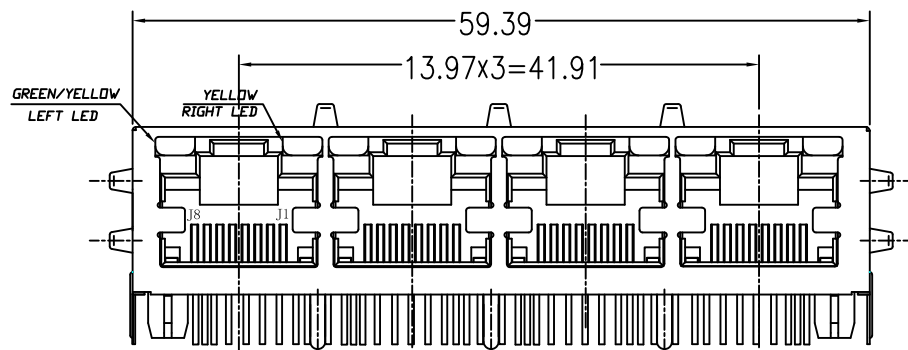
Emitting Color	λ p(nm)	VF@IF=20mA	IR @VR=5V
GREEN	565	1.8-2.6V	10 μ A max
YELLOW	585	1.8-2.6V	10 μ A max



X:X	± 0.30	APPD:	LINK-PP INT'L TECHNOLOGY CO., LIMITED
X:XX	± 0.25	CHKD:	
X:XXX	± 0.05	DR: TOM	TITLE: RJ45 Connector With 1000 Base-TX Integrated Magnetic
ANGLES	$\pm 1^\circ$	UNIT: mm	PART NO.: LPJG48831A71NL
	SCALE: 2/1	SHEET: 2/2	REV: A DWG: LP11010415

Mechanical:

REV.	ECN NO.	DESCRIPTION	DATE	APPD
A	REL		2011/01/04	



SUGGESTED PCB LAYOUT (TOP VIEW)



NOTES:

1. Designed to support application, such as SOHO (ADSL modems), LAN-on-Motherboard (LOM), hub and Switches.
2. Meets IEEE 802.3 specification
3. Connector Materials:
 Housing: Thermoplastic UL94V-0
 Contact/Shield: Copper alloy
 Shield plating: Nickel
 Contact plating: Gold 6 micro-inches min. In contact area.
4. Wave solder tip temperature: 265°C Max, 5 Sec Max.
5. UL Certification: File Number E484635.

X:X	±0.30	APPD:	LINK-PP INT'L TECHNOLOGY CO., LIMITED
X:XX	±0.25	CHKD:	TITLE: RJ45 Connector With 1000 Base-TX Integrated Magnetic
X:XXX	±0.05	DR: TOM	PART NO.: LPJG48831A71NL
ANGLES	±1°	UNIT: mm	
	SCALE: 2/1	SHEET: 2/2	REV: A DWG: LP11010415