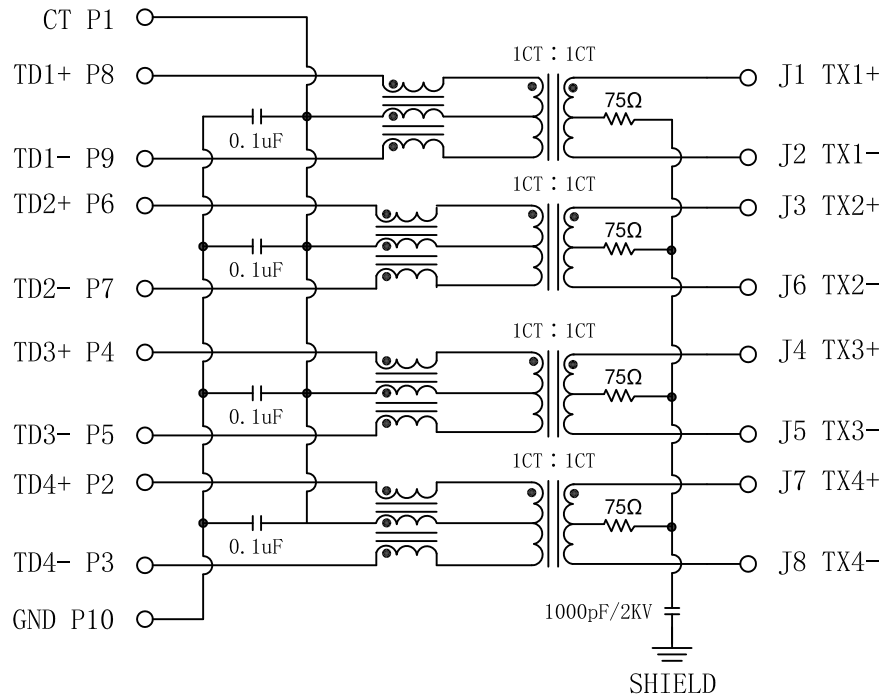


Schematic:

REV.	ECN NO.	DESCRIPTION	DATE	APPD
A	REL		2009/06/19	

PCB CONNECTIONS



RJ45 CONNECTOR

ELECTRICAL SPECIFICATIONS @25°C

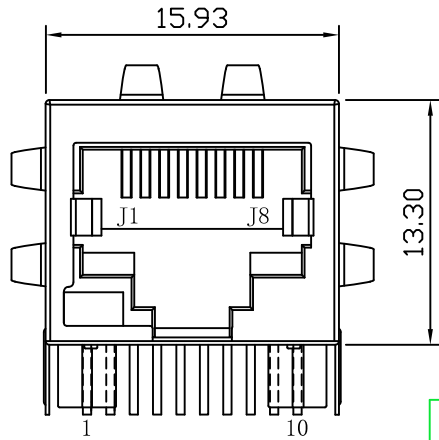
- Turn Ratio ($\pm 2\%$):
Pri:Sec = 1CT:1CT
- OCL: 350uH MIN
@100KHz/0.1V, 8mA DC Bias
- Insertion Loss:
-1.2dB MAX @ 0.1-125MHz
- Return Loss:
-18dB MIN @ 0.5-40MHz
-12+20LOG(f/80MHz) dB MIN @ 40-100MHz
- Cross talk:
-35dB MIN @ 1-30MHz
-24dB MIN @ 30-80MHz
-25dB MIN @ 80-100MHz
- CM TO CM REJ:
-30dB MIN @ 100KHz-100MHz
- CM TO DM REJ:
-35dB MIN @ 100KHz-100MHz
- Hipot: 1500Vrms MIN
- Operating Temperature Range: -40°C TO +85°C.



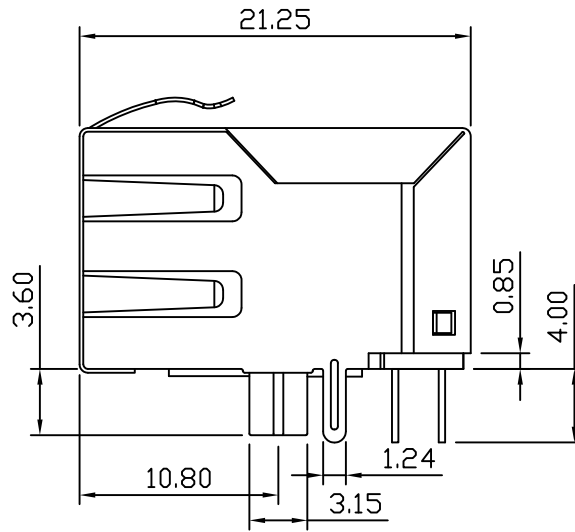
X:X	± 0.30	APPD:	LINK-PP INT'L TECHNOLOGY CO., LIMITED	
X:XX	± 0.25	CHKD:	TITLE: RJ45 Connector with 1000 Base-T Integrated Magnetics	
X:XXX	± 0.05	DR: TOM	PART NO.: LPJG4882CNL	
ANGLES	$\pm 1^\circ$	UNIT: mm	DWG NO.: LP09061950	
	SCALE: 2/1	SHEET: 1/2	REV: A	

Mechanical:

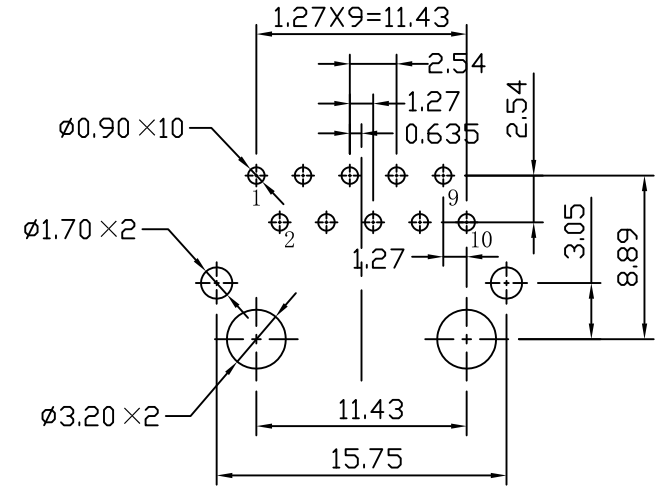
REV.	ECN NO.	DESCRIPTION	DATE	APPD
A	REL		2009/06/19	



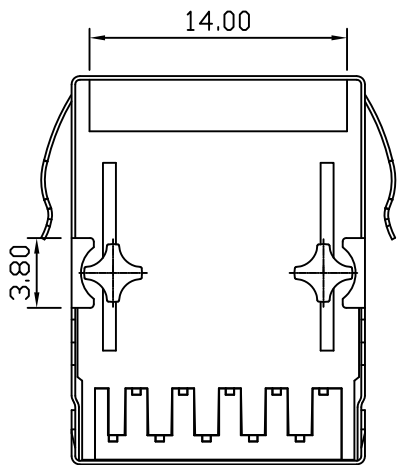
Front Side View



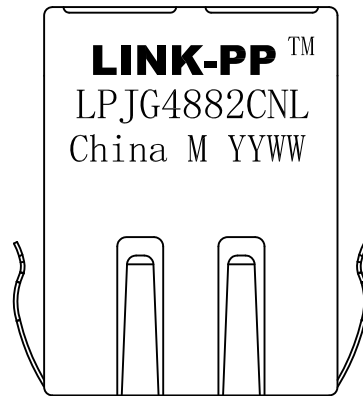
Left Side View



Suggested PCB Layout (Top View)



Bottom Side View



Top Side View

NOTES:

1. Designed to support application, such as SOHO (ADSL modems), LAN-on-Motherboard (LOM), hub and Switches.
2. Meets IEEE802.3 specification
3. Connector Materials:
 Housing: Thermoplastic PBT+30%G. F UL94V-0
 Contact: Phosphor Bronze C5210R-EH Thickness=0.35mm
 Pins: Brass C2680R-H Thickness=0.35mm
 Shield: SUS 201-1/2H Thickness=0.2mm
 Contact plating: Gold 6 micro-inches min. In contact area.
4. Wave solder tip temperature: 265°C Max, 5 Sec.
5. UL Certification: File Number E484635.

X:X	±0.30	APPD:	LINK-PP INT'L TECHNOLOGY CO., LIMITED	
X:XX	±0.25	CHKD:	TITLE: RJ45 Connector with 1000 Base-T Integrated Magnetics	
X:XXX	±0.05	DR: TOM	PART NO.: LPJG4882CNL	
ANGLES	±1°	UNIT: mm	DWG NO.: LP09061950	
	SCALE: 2/1	SHEET: 2/2	REV: A	