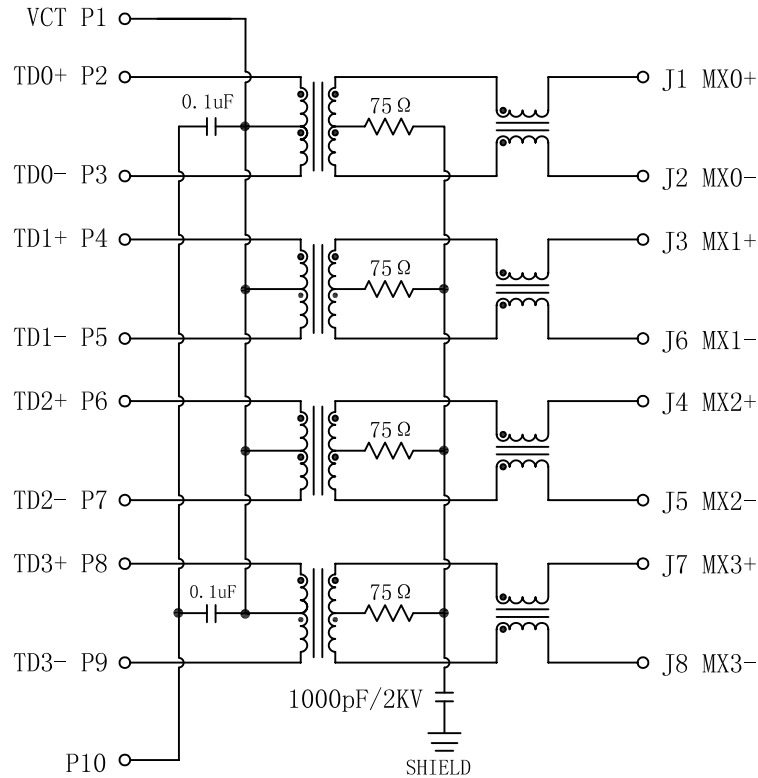


Schematic:

| REV. | ECN NO. | DESCRIPTION | DATE       | APPD |
|------|---------|-------------|------------|------|
| A    | REL     |             | 2011/09/30 |      |

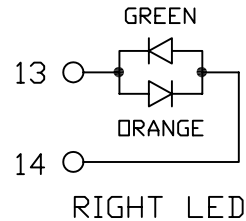
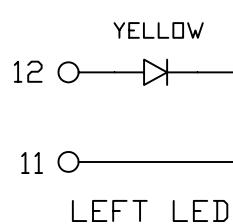
PC BOARD CONNECTIONS



RJ45 CONNECTOR

ELECTRICAL SPECIFICATIONS @25°C

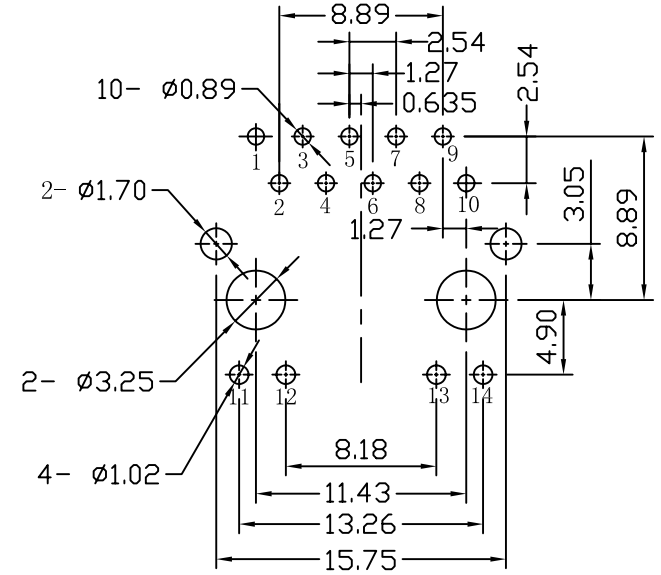
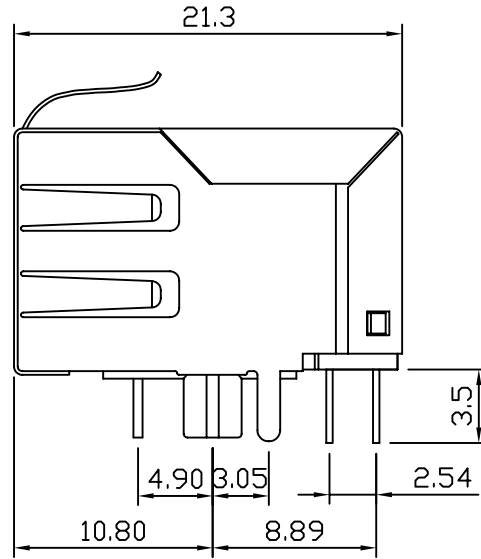
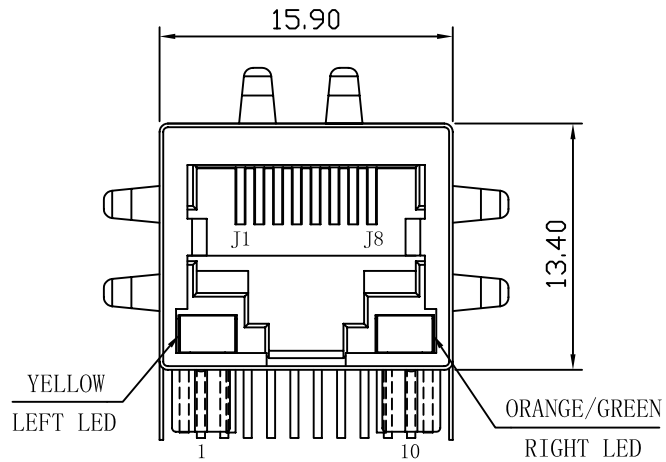
- Turn Ratio ( $\pm 5\%$ ):  
TX=1CT:1CT      RX=1CT:1CT
- Inductance OCL: 350uH MIN  
@100KHz 0.1V 8mA DC Bias
- Insertion Loss:  
-1.0dB MAX @ 1-100MHz
- Return Loss:  
-16dB MIN @ 1-30MHz  
-14dB MIN @ 40MHz  
-12dB MIN @ 60MHz  
-10dB MIN @ 80-100MHz
- Cross talk:  
-47dB TYP @ 20MHz  
-40dB TYP @ 40MHz  
-37dB TYP @ 60MHz  
-35dB TYP @ 80MHz  
-33dB TYP @ 100MHz
- Common Mode Rejection:  
-30dB MIN @ 1-100MHz
- DCMR  
-33dB MIN @ 1-100MHz
- Hipot Test: 1500Vrms MIN
- Operating Temperature: -20°C TO +85°C



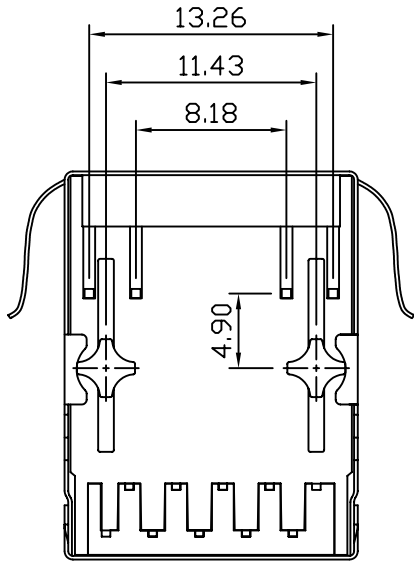
|             |            |  |        |                      |
|-------------|------------|--|--------|----------------------|
| X:X ±0.30   | APPD:      | LINK-PP INT'L TECHNOLOGY CO., LIMITED                        |        |                      |
| X:XX ±0.20  | CHKD:      | TITLE: RJ45 Connector With 1000 Base-TX Integrated Magnetics |        |                      |
| X:XXX ±0.05 | DR: TOM    | PART NO. : LPJG4852E90NL                                     |        |                      |
| ANGLES ±1°  | UNIT: mm   |  |        |                      |
|             | SCALE: 2/1 | SHEET: 1/2   | REV: A | DWG NO. : LP11093001 |

Mechanical:

| REV. | ECN NO. | DESCRIPTION | DATE       | APPD |
|------|---------|-------------|------------|------|
| A    | REL     |             | 2011/09/30 |      |



SUGGESTED PCB LAYOUT (TOP VIEW)



NOTES:

1. Designed to support application, such as SOHO (ADSL modems), LAN-on-Motherboard (LOM), hub and Switches.
2. Meets IEEE 802.3 specification
3. Connector Materials:  
 Housing: Thermoplastic UL94V-0  
 Contact/Shield: Copper alloy  
 Shield plating: Nickel  
 Contact plating: Gold 6 micro-inches min. In contact area.
4. Wave solder tip temperature: 265°C Max  
 Wave solder tip temperature time: 5 Sec Max



|             |            |  |
|-------------|------------|--|
| X:X ±0.30   | APPD:      | LINK-PP INT'L TECHNOLOGY CO., LIMITED                        |
| X:XX ±0.20  | CHKD:      |  |
| X:XXX ±0.05 | DR: TOM    | TITLE: RJ45 Connector With 1000 Base-TX Integrated Magnetics |
| ANGLES ±1°  | UNIT: mm   | PART NO.: LPJG4852E90NL                                      |
|             | SCALE: 2/1 | SHEET: 2/2   |
|             | REV: A     | DWG NO.: LP11093001  |