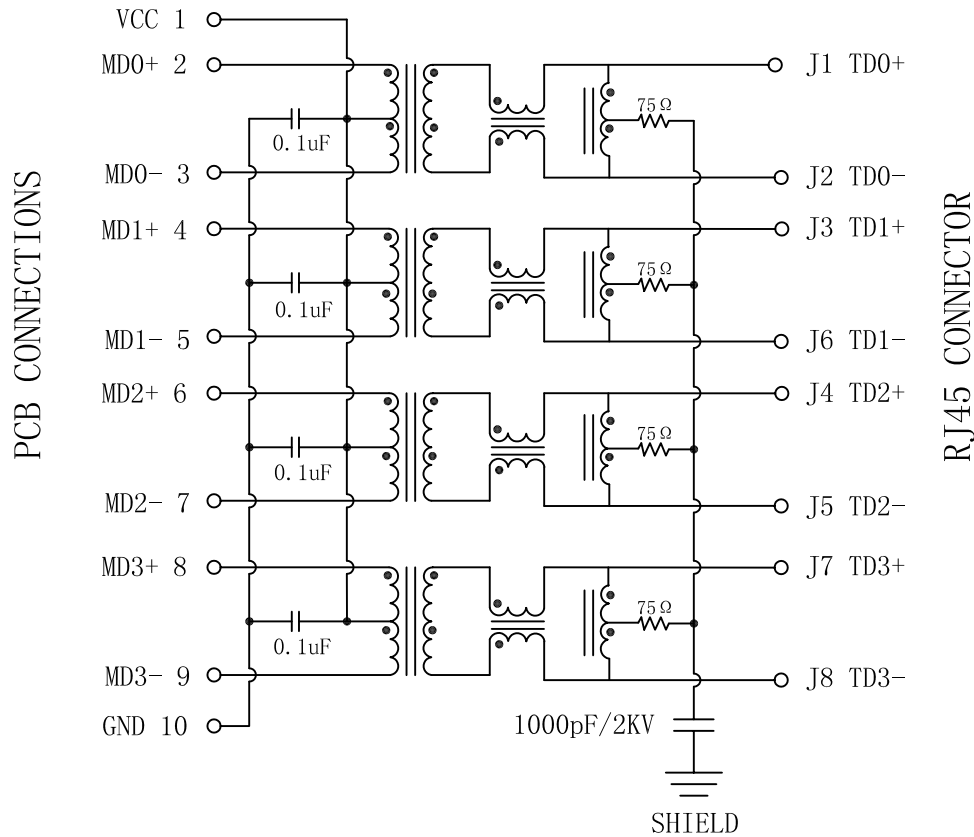


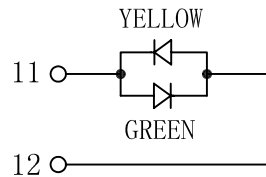
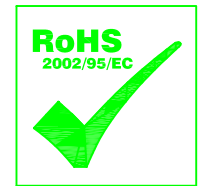
Schematic:

REV.	ECN NO.	DESCRIPTION	DATE	APPD
A	REL		2010/07/28	

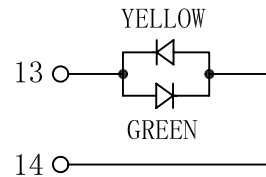


ELECTRICAL SPECIFICATIONS @25°C

- Turn Ratio($\pm 2\%$):
TX=1CT:1 RX=1CT:1
- Inductance OCL:
350uH MIN @ 100KHz, 0.1V, 8mA DC Bias
- Insertion Loss:
-1.0dB MAX @ 1.0-100MHz
- Return Loss:
-18dB MIN @ 1-10MHz
-16dB MIN @ 10-30MHz
-12dB MIN @ 30-60MHz
-10dB MIN @ 60-100MHz
- Cross talk:
-35dB MIN @ 1-30MHz
-32dB MIN @ 30-60MHz
-30dB MIN @ 60-100MHz
- Common Mode Rejection:
-30dB MIN @ 1-100MHz
- Hipot Test:1500Vrms MIN
- Operating Temperature Range: -40°C TO +85°C.



LEFT LED

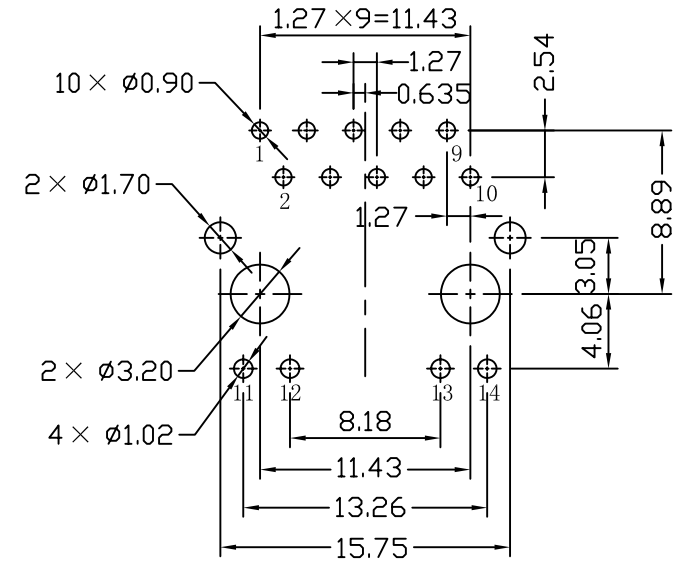
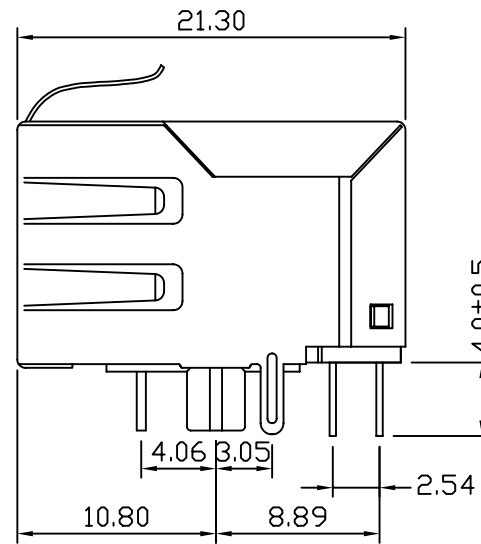
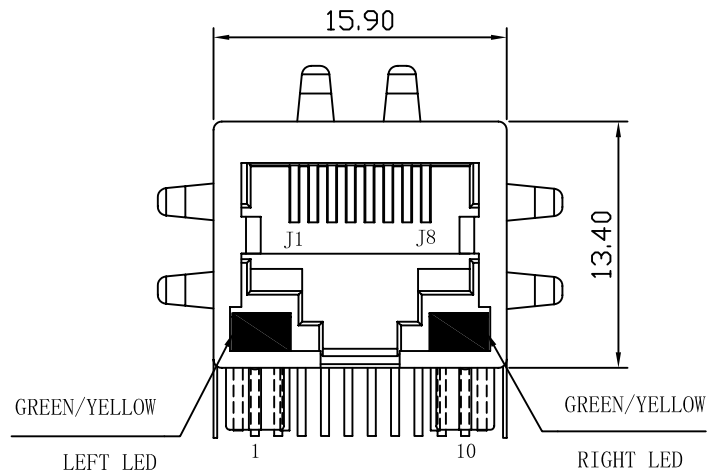


RIGHT LED

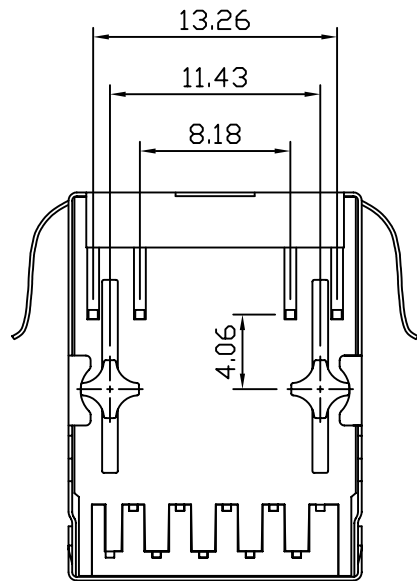
X:X	± 0.30	APPD:	LINK-PP INT'L TECHNOLOGY CO., LIMITED		
X:XX	± 0.20	CHKD:	TITLE: RJ45 Connector with 1000 Base-T Integrated Magnetics		
X:XXX	± 0.05	DR: TOM	PART NO. : LPJG4833G4NL		
ANGLES	$\pm 1^\circ$	UNIT: mm	DWG NO. : LP10072802		
	SCALE: 2/1	SHEET: 1/2	REV: A		

Mechanical:

REV.	ECN NO.	DESCRIPTION	DATE	APPD
A	REL		2010/07/28	



SUGGESTED PCB LAYOUT (TOP VIEW)



NOTES:

- Designed to support application, such as SOHO (ADSL modems), LAN-on-Motherboard (LOM), hub and Switches.
- Meets IEEE 802.3 specification
- Connector Materials:
Housing: Thermoplastic UL94V-0
Contact/Shield: Copper alloy
Shield plating: Nickel
Contact plating: Gold 6 micro-inches min. In contact area.
- Wave solder tip temperature: 265°C Max
Wave solder tip temperature time: 5 Sec Max

X:X ±0.30	APPD:	LINK-PP INT'L TECHNOLOGY CO., LIMITED
X:XX ±0.20	CHKD:	
X:XXX ±0.05	DR: TOM	TITLE: RJ45 Connector with 1000 Base-T Integrated Magnetics
ANGLES ±1°	UNIT: mm	PART NO.: LPJG4833G4NL
	SCALE: 2/1	SHEET: 2/2
	REV: A	DWG NO.: LP10072802