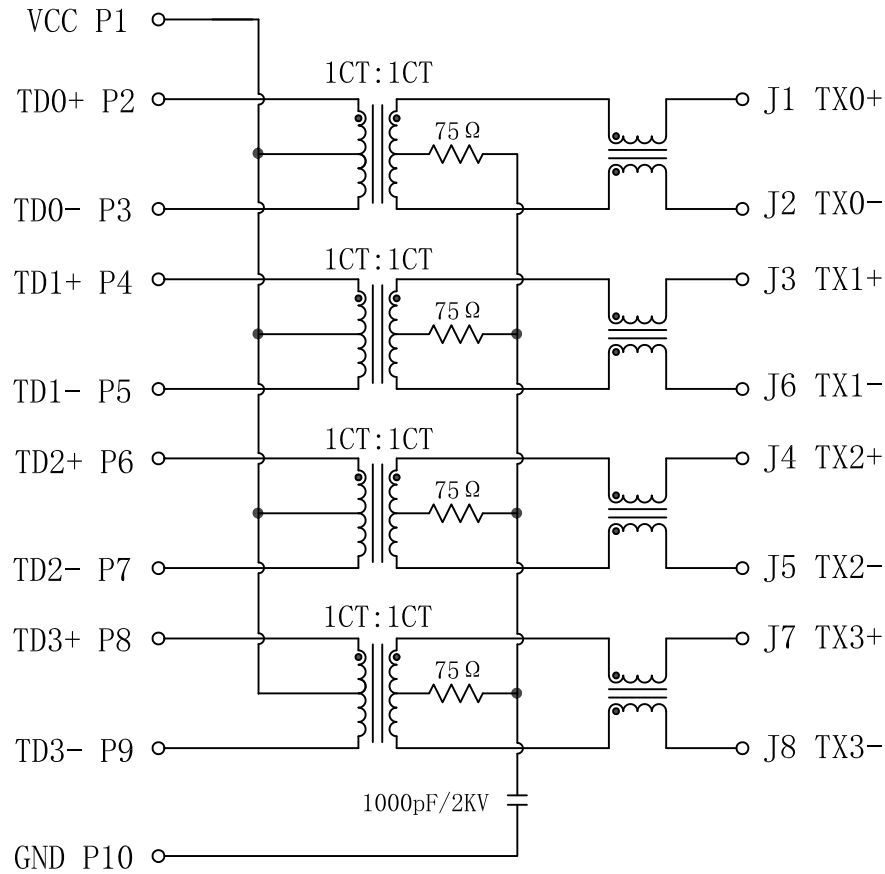


Schematic:

REV.	ECN NO.	DESCRIPTION	DATE	APPD
A	REL		2009/06/19	

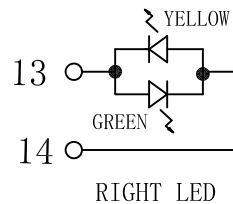
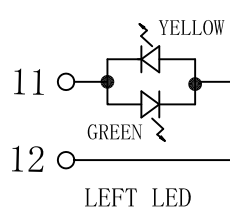
PCB SIDE



CABLE SIDE

Electrical Specifications @ 25°C
unless otherwise noted:

- Inductance:
350uH Min, @100KHz, 100mV, 8mADC,
J1-J2;J3-J6;J4-J5;J7-J8, LP.
- Return Loss(dB Min) :
1~40MHz:-18 40~60MHz:-14
60~80MHz:-12 80~100MHz:-10
- Crosstalk:
1~100MHz:-30dB Min
- Insertion Loss:
1~100MHz:-1.0dB Max
- CMR:
1~100MHz:-35dB Min
- Turns Ratio:
Pri : Sec = 1CT : 1CT
- Isolation Voltage: 1500Vrms/60Hz
- Operating temperature: -40°C~+85°C.

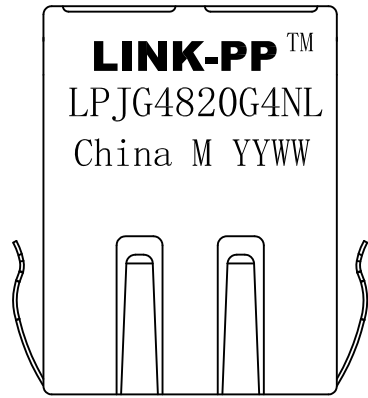
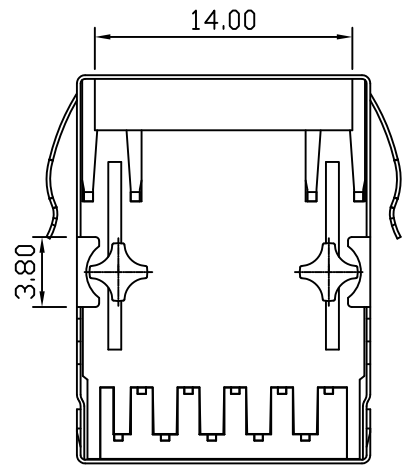
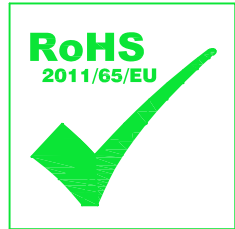
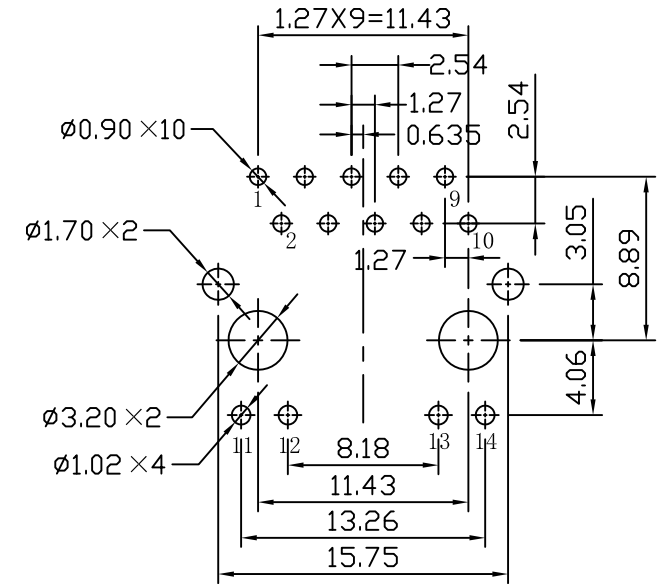
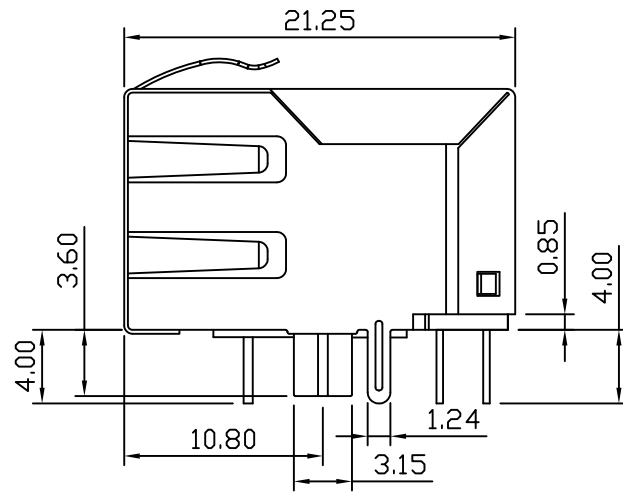
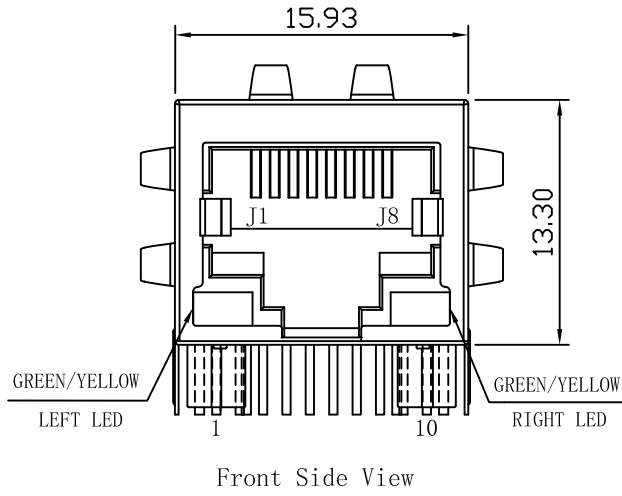


Emitting Color	λ p(nm)	VF@IF=20mA	IR @VR=5V
GREEN	565	1.8~2.6V	10 μ A max
YELLOW	585	1.8~2.6V	10 μ A max

X:X	± 0.30	APPD:	LINK-PP INT'L TECHNOLOGY CO., LIMITED	
X:XX	± 0.25	CHKD:	TITLE: RJ45 Connector with 1000 Base-T Integrated Magnetics	
X:XXX	± 0.05	DR: TOM	PART NO. : LPJG4820G4NL	
ANGLES	$\pm 1^\circ$	UNIT: mm	DWG NO. : LP09061910	
	SCALE: 2/1	SHEET: 1/2	REV: A	

Mechanical:

REV.	ECN NO.	DESCRIPTION	DATE	APPD
A	REL		2009/06/19	



NOTES:

1. Designed to support application, such as SOHO (ADSL modems), LAN-on-Motherboard (LOM), hub and Switches.
2. Meets IEEE802.3 specification
3. Connector Materials:
 Housing: Thermoplastic PBT+30%G. F UL94V-0
 Contact: Phosphor Bronze C5210R-EH Thickness=0.35mm
 Pins: Brass C2680R-H Thickness=0.35mm
 Shield: SUS 201-1/2H Thickness=0.2mm
 Contact plating: Gold 6 micro-inches min. In contact area.
4. Wave solder tip temperature: 265°C Max, 5 Sec.
5. UL Certification: File Number E484635.

X:X ±0.30	APPD:	LINK-PP INT'L TECHNOLOGY CO., LIMITED
X:XX ±0.25	CHKD:	
X:XXX ±0.05	DR: TOM	TITLE: RJ45 Connector with 1000 Base-T Integrated Magnetics
ANGLES ±1°	UNIT: mm	PART NO.: LPJG4820G4NL
	SCALE: 2/1	SHEET: 2/2
	REV: A	DWG NO.: LP09061910