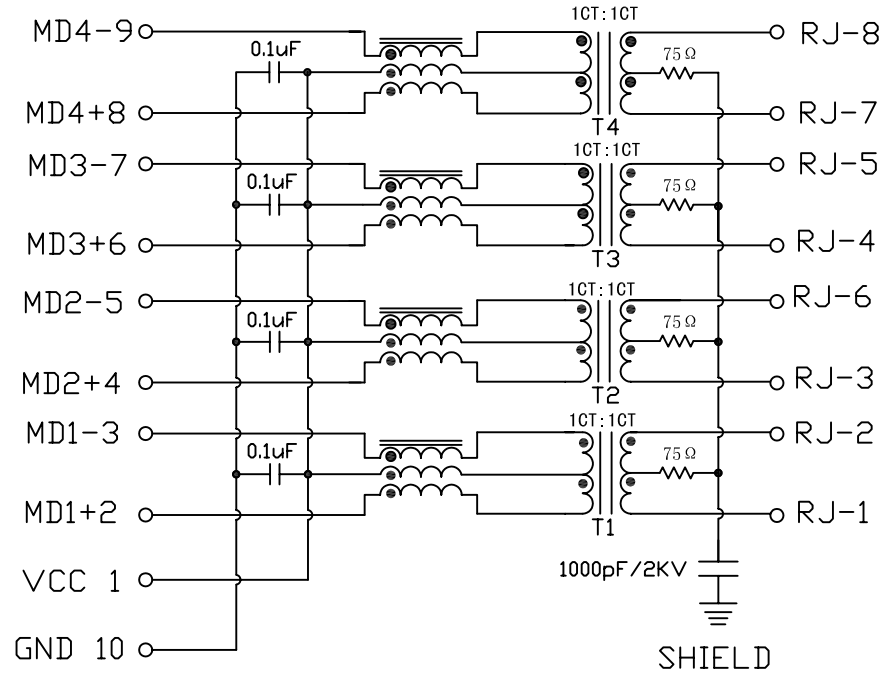


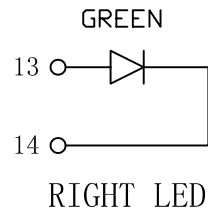
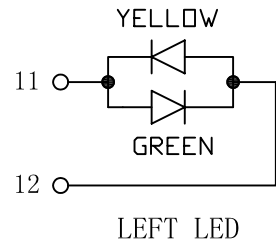
# Schematic:

REV.	ECN NO.	DESCRIPTION	DATE	APPD
A	REL		2011/06/29	



## ELECTRICAL SPECIFICATIONS @25°C

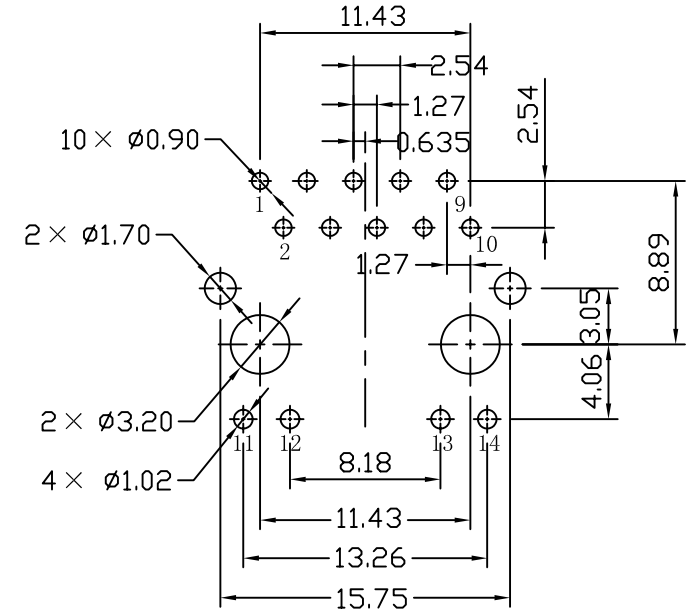
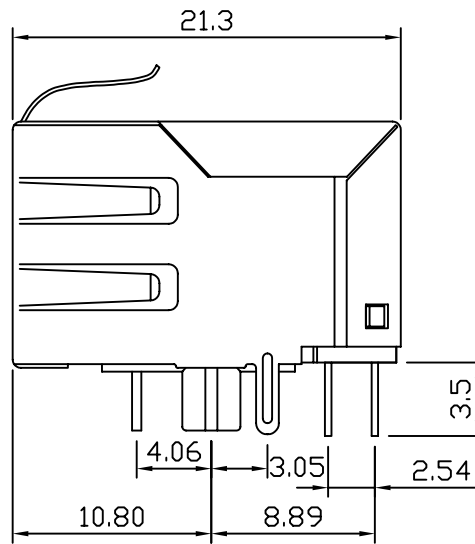
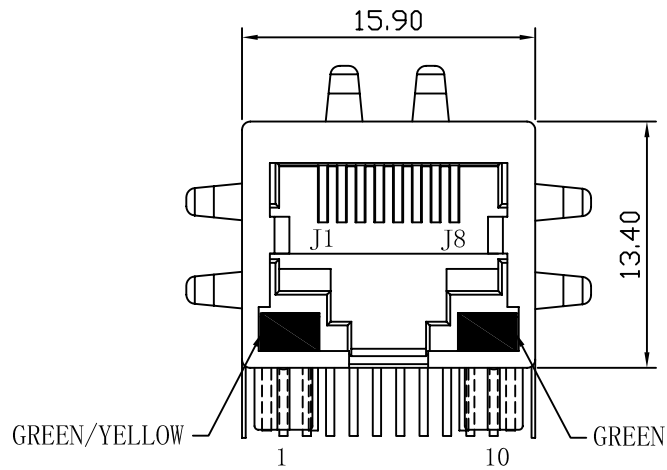
- Turn Ratio ( $\pm 2\%$ ):  
TX=1:1      RX=1:1
- Inductance OCL: 350uH MIN  
@100KHz/0.1V, 8mA DC Bias
- Insertion Loss:  
-1.0dB MAX @ 0.3-100MHz  
-1.5dB MAX @100-125MHz
- Return Loss:  
-15dB MIN @ 40MHz  
-13.1dB MIN @ 50MHz  
-12dB MIN @ 60-80MHz  
-10dB MIN @ 100MHz
- Cross talk:  
-45dB MIN @ 30MHz  
-40dB MIN @ 60MHz  
-35dB MIN @ 100MHz
- Common Mode Rejection:  
-43dB MIN @ 30MHz  
-37dB MIN @ 80MHz  
-33dB MIN @ 100MHz
- CMRR: -30dB Min @1-100MHz
- Hipot Test: 1500Vrms MIN
- Operating Temperature: -40°C TO +85°C



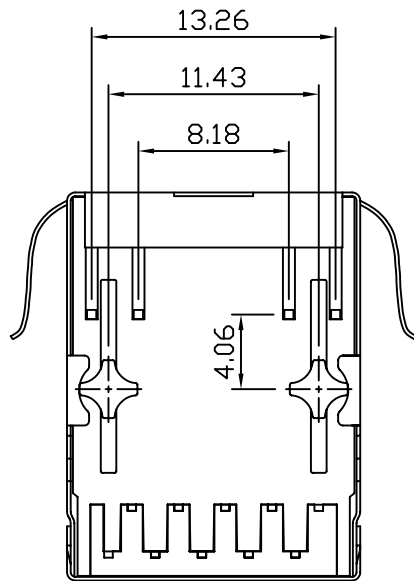
X:X	$\pm 0.30$	APPD:	LINK-PP INT'L TECHNOLOGY CO., LIMITED	
X:XX	$\pm 0.20$	CHKD:		
X:XXX	$\pm 0.05$	DR: TOM	TITLE: RJ45 Connector with 1000 Base-T Integrated Magnetics	
ANGLES	$\pm 1^\circ$	UNIT: mm	PART NO.: LPJG4811G7NL	
	SCALE: 2/1	SHEET: 1/2	REV: A	DWG NO.: LP11062903

Mechanical:

REV.	ECN NO.	DESCRIPTION	DATE	APPD
A	REL		2011/06/29	



SUGGESTED PCB LAYOUT (TOP VIEW)



NOTES:

1. Designed to support application, such as SOHO (ADSL modems), LAN-on-Motherboard (LOM), hub and Switches.
2. Meets IEEE 802.3 specification
3. Connector Materials:  
 Housing: Thermoplastic UL94V-0  
 Contact/Shield: Copper alloy  
 Shield plating: Nickel  
 Contact plating: Gold 6 micro-inches min. In contact area.
4. Wave solder tip temperature: 265°C Max  
 Wave solder tip temperature time: 5 Sec Max

X:X ±0.30	APPD:	LINK-PP INT'L TECHNOLOGY CO., LIMITED
X:XX ±0.20	CHKD:	
X:XXX ±0.05	DR: TOM	TITLE: RJ45 Connector with 1000 Base-T Integrated Magnetics
ANGLES ±1°	UNIT: mm	PART NO.: LPJG4811G7NL
	SCALE: 2/1	SHEET: 2/2
	REV: A	DWG NO.: LP11062903