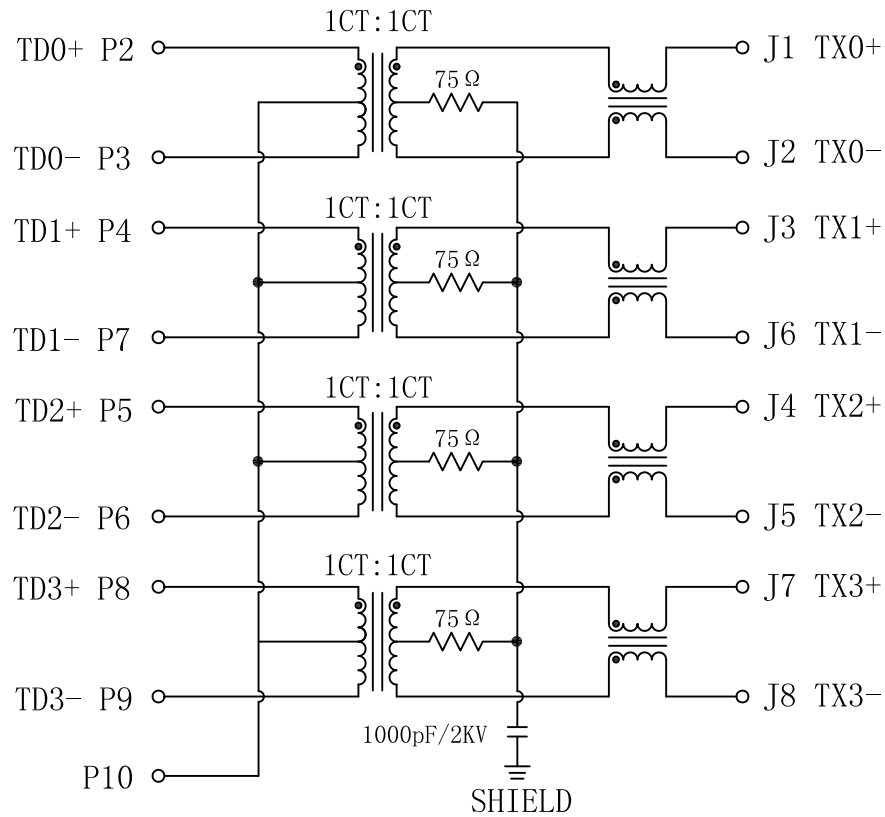


Schematic:

REV.	ECN NO.	DESCRIPTION	DATE	APPD
A	REL		2009/06/19	

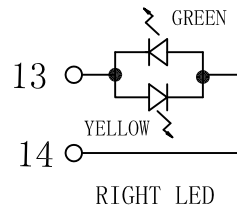
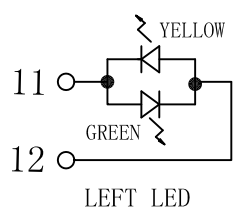
PCB SIDE



CABLE SIDE

Electrical Specifications @ 25°C

1. Turns Ratio: 1CT : 1CT
2. INDUCTANCE: 350uH Min @100KHz, 100mV, 8mADC,
3. Insertion Loss: 1~100MHz:-1.0dB Max
4. Return Loss(dB Min):  
0.1~60MHz:-18      60~80MHz:-15  
80~100MHz:-10
5. Crosstalk(dB Min):  
1~10MHz:-35      15~60MHz:-26  
60~100MHz:-24
6. Common Mode Rejection(dB Min):  
1~60MHz:-46      60~100MHz:-42
7. Hipot: 1500Vrms
8. Operating temperature: -40°C ~+85°C.

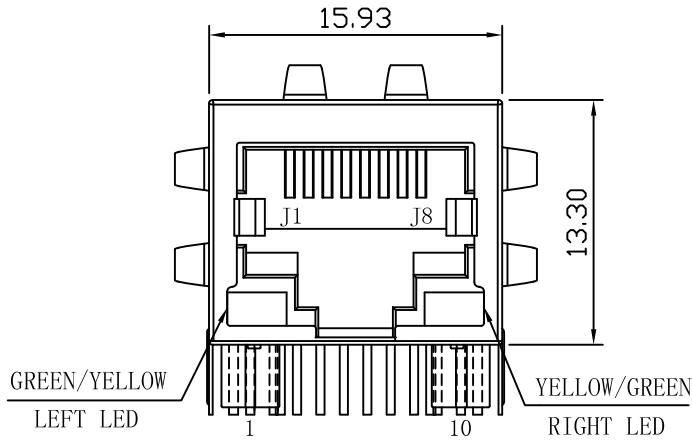


Emitting Color	$\lambda$ p(nm)	VF@IF=20mA	IR @VR=5V
GREEN	565	1.8~2.6V	10 $\mu$ A max
YELLOW	585	1.8~2.6V	10 $\mu$ A max

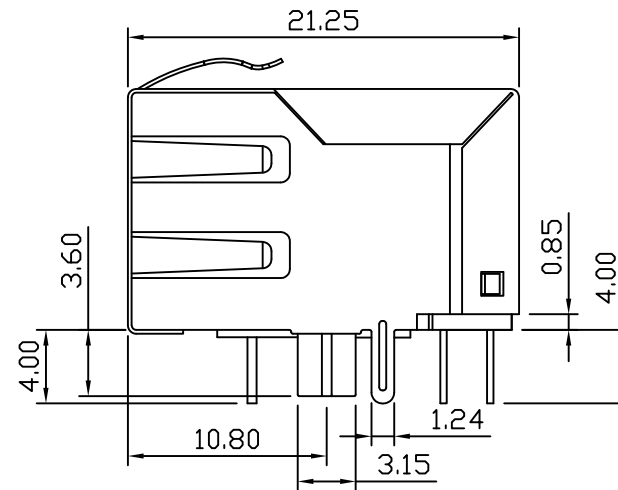
X:X	$\pm 0.30$	APPD:	LINK-PP INT'L TECHNOLOGY CO., LIMITED
X:XX	$\pm 0.25$	CHKD:	
X:XXX	$\pm 0.05$	DR: TOM	TITLE: RJ45 Connector with 1000 Base-T Integrated Magnetics
ANGLES	$\pm 1^\circ$	UNIT: mm	PART NO.: LPJG4807G51NL
	SCALE: 2/1	SHEET: 1/2	REV: A
			DWG NO.: LP09061913

# Mechanical:

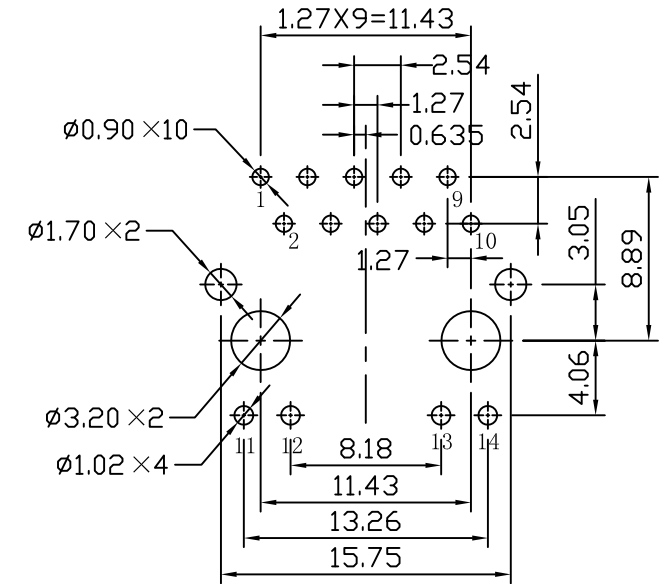
REV.	ECN NO.	DESCRIPTION	DATE	APPD
A	REL		2009/06/19	



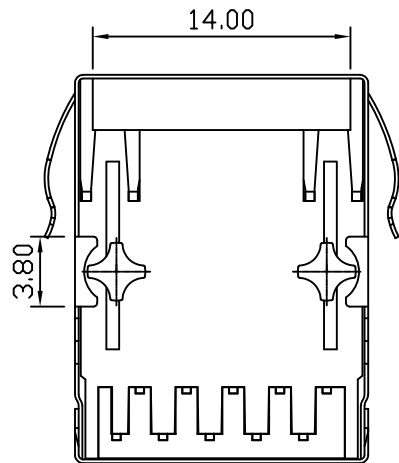
Front Side View



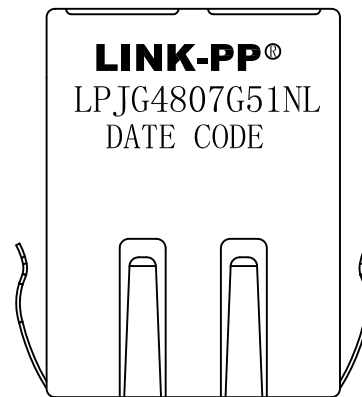
Left Side View



Suggested PCB Layout (Top View)



Bottom Side View



Top Side View

## NOTES:

1. Designed to support application, such as SOHO (ADSL modems), LAN-on-Motherboard (LOM), hub and Switches.
2. Meets IEEE802.3 specification
3. Connector Materials:  
 Housing: Thermoplastic PBT+30%G.F UL94V-0  
 Contact: Phosphor Bronze C5210R-EH Thickness=0.35mm  
 Pins: Brass C2680R-H Thickness=0.35mm  
 Shield: SUS 201-1/2H Thickness=0.2mm  
 Contact plating: Gold 6 micro-inches min. In contact area.
4. Wave solder tip temperature: 265°C Max, 5 Sec Max.

X:X ±0.30	APPD:	LINK-PP INT'L TECHNOLOGY CO., LIMITED
X:XX ±0.25	CHKD:	
X:XXX ±0.05	DR: TOM	TITLE: RJ45 Connector with 1000 Base-T Integrated Magnetics
ANGLES ±1°	UNIT: mm	PART NO.: LPJG4807G51NL
	SCALE: 2/1	SHEET: 2/2
	REV: A	DWG NO.: LP09061913