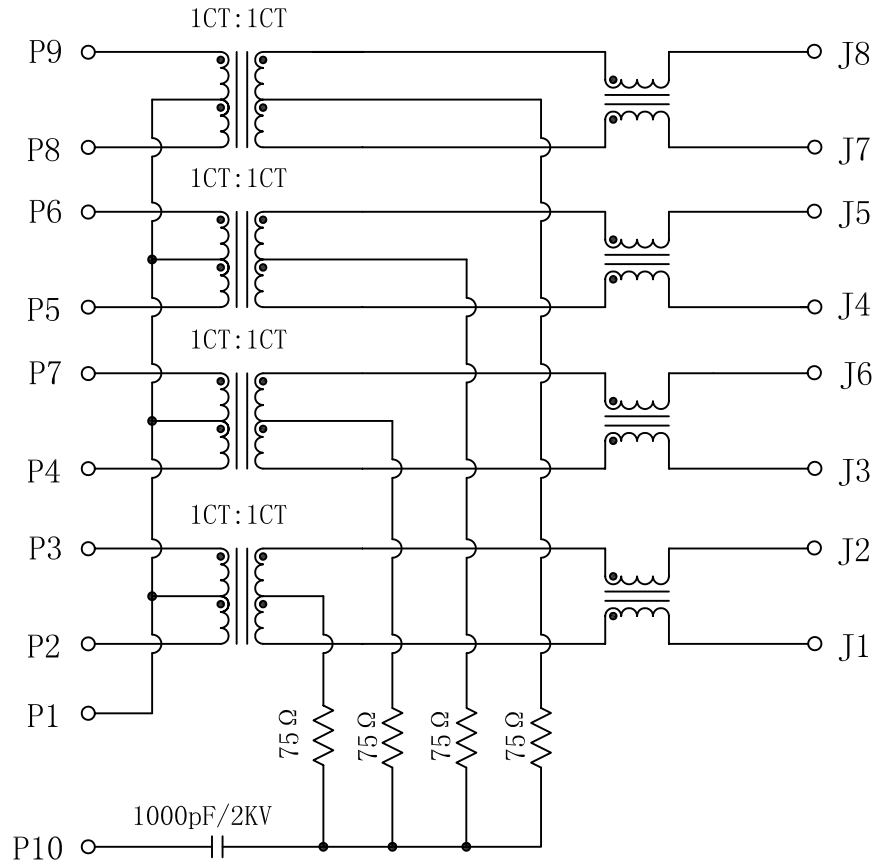


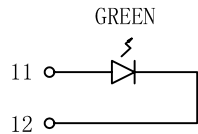
Schematic:

| REV. | ECN NO. | DESCRIPTION | DATE | APPD |
|------|---------|-------------|------------|------|
| A | REL | | 14/11/2007 | |



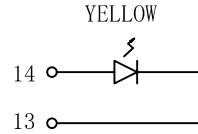
ELECTRICAL SPECIFICATIONS @25°C

- Turn Ratio($\pm 2\%$):
TX=1CT:1CT RX=1CT:1CT
- Inductance OCL: 350uH MIN
@100KHz/0.1V, 8mA DC Bias
- Insertion Loss:
-1.0dB MAX @ 1.0-65MHz
- Return Loss:
-20dB MIN @ 1-10MHz
-16dB MIN @ 10-30MHz
-12dB MIN @ 30-60MHz
-10dB MIN @ 60-100MHz
- Cross talk:
-40dB MIN @ 1-30MHz
-35dB MIN @ 30-60MHz
-30dB MIN @ 60-100MHz
- Common Mode Rejection:
-30dB MIN @ 1-50MHz
-20dB MIN @ 50-150MHz
- Hipot Test: 1500Vrms MIN
- Operating Temperature Range: -40°C TO +85°C



LEFT LED

| LED POLARITY | | COLOR |
|--------------|--------|-------|
| PIN 11 | PIN 12 | |
| + | - | GREEN |



RIGHT LED

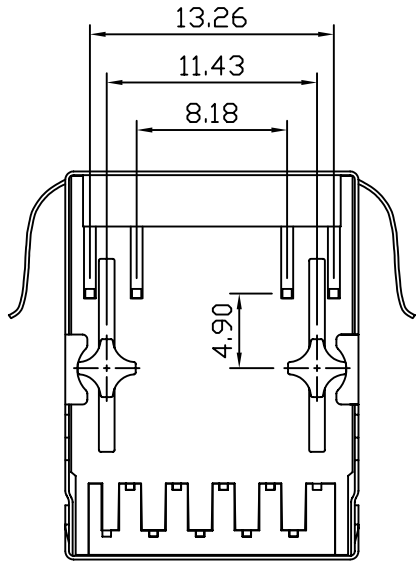
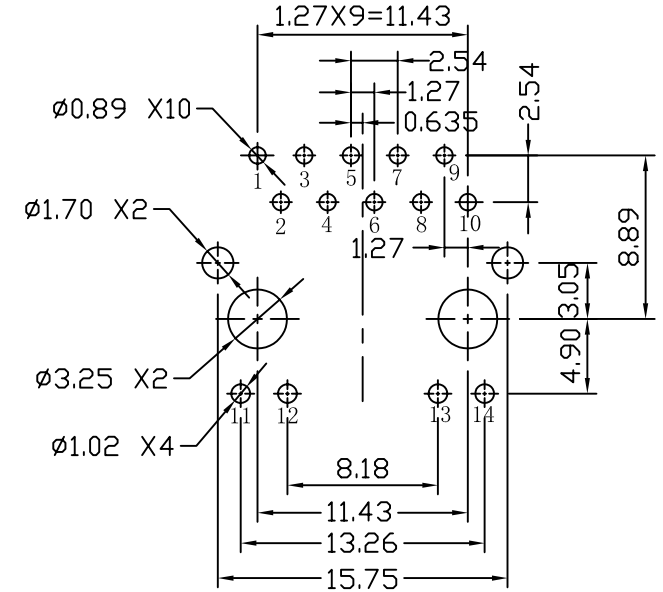
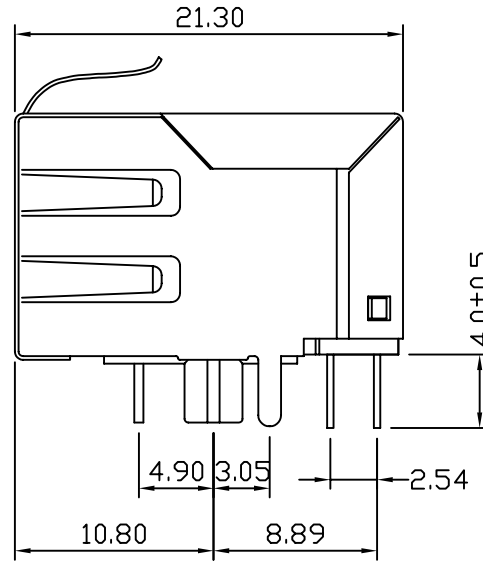
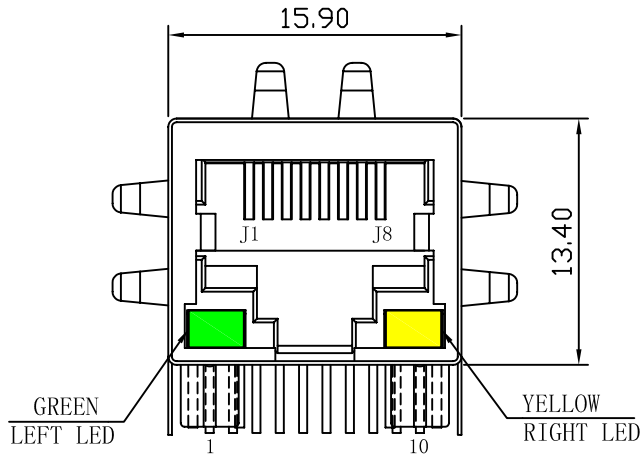
| LED POLARITY | | COLOR |
|--------------|--------|--------|
| PIN 14 | PIN 13 | |
| + | - | YELLOW |



| | | | | |
|--------|---------------|------------|---|--------|
| X:X | ± 0.30 | APPD: | LINK-PP INT'L TECHNOLOGY CO., LIMITED | |
| X:XX | ± 0.20 | CHKD: | TITLE: RJ45 Connector With 1000 Base-TX Integrated Magnetics | |
| X:XXX | ± 0.05 | DR: TOM | PART NO.: LPJG4806EBNL | |
| ANGLES | $\pm 1^\circ$ | UNIT: mm | DWG NO.: LP07111413 | |
| | | SCALE: 2/1 | SHEET: 1/2 | REV: A |

Mechanical:

| REV. | ECN NO. | DESCRIPTION | DATE | APPD |
|------|---------|-------------|------------|------|
| A | REL | | 14/11/2007 | |



NOTES:

1. Designed to support application, such as SOHO (ADSL modems), LAN-on-Motherboard (LOM), hub and Switches.
2. Meets IEEE 802.3 specification
3. Connector Materials:
Housing: Thermoplastic UL94V-0
Contact/Shield: Copper alloy
Shield plating: Nickel
Contact plating: Gold 6 micro-inches min. In contact area.
4. Wave solder tip temperature: 265°C Max
Wave solder tip temperature time: 5 Sec Max



| | | | |
|--------|------------|------------|--|
| X:X | ±0.30 | APPD: | LINK-PP INT'L TECHNOLOGY CO., LIMITED |
| X:XX | ±0.20 | CHKD: | |
| X:XXX | ±0.05 | DR: TOM | TITLE: RJ45 Connector With 1000 Base-TX Integrated Magnetics |
| ANGLES | ±1° | UNIT: mm | PART NO.: LPJG4806EBNL |
| | SCALE: 2/1 | SHEET: 2/2 | REV: A DWG NO.: LP07111413 |