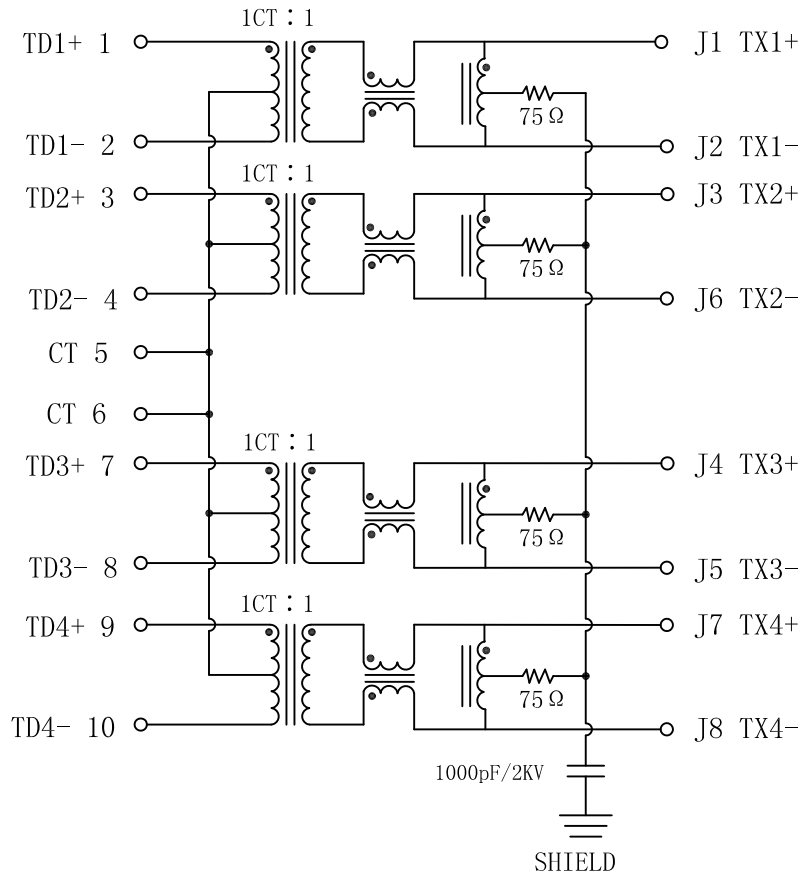


Schematic:

REV.	ECN NO.	DESCRIPTION	DATE	APPD
A	REL		2015-06-03	

PC BOARD CONNECTIONS



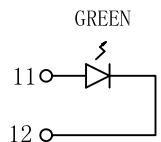
RJ45 CONNECTOR

ELECTRICAL SPECIFICATIONS @25°C

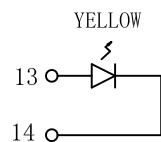
- Turn Ratio(±2%) :
Pri:Sec = 1CT:1
- Inductance OCL: 350uH MIN
@100KHz, 0.1V, 8mA DC Bias
- Insertion Loss:
-1.2dB MAX @0.3-100MHz
- Return Loss:
-16dB MIN, Load 100 Ω @1-30MHz
-13.5dB MIN, Load 100 Ω @40MHz
-11.5dB MIN, Load 100 Ω @50MHz
-10dB MIN, Load 100 Ω @60-80MHz
- Cross talk:
-40dB MIN @30MHz
-36dB MIN @60MHz
-30dB MIN @100MHz
- Common Mode Rejection:
-35dB MIN @30MHz
-32dB MIN @60MHz
-30dB MIN @100MHz
- Hipot Test: 1500Vrms MIN
- Operating Temperature Range: -40°C~+85°C.
Storage Temperature Range: -40°C~+85°C.



Emitting Color	λp(nm)	VF@IF=20mA	IR @VR=5V
GREEN	565	1.8~2.6V	10 μA max
YELLOW	585	1.8~2.6V	10 μA max



LEFT LED

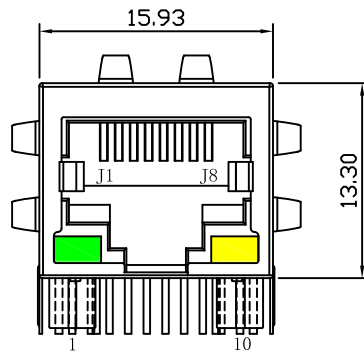


RIGHT LED

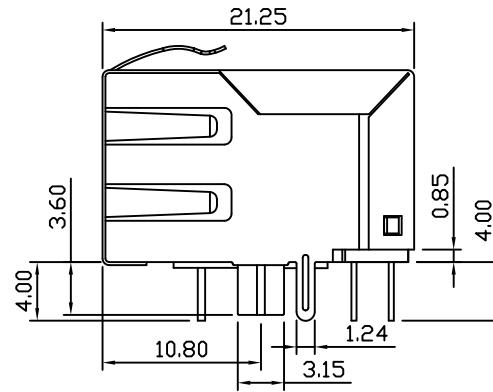
X:X ±0.30	APPD:	LINK-PP INT'L TECHNOLOGY CO., LIMITED
X:XX ±0.25	CHKD:	
X:XXX ±0.05	DR: TOM	TITLE: RJ45 Connector with 1000 Base-T Integrated Magnetics
ANGLES ±1°	UNIT: mm	PART NO.: LPJG4803GENL
	SCALE: 2/1	SHEET: 1/2
	REV: A	DWG NO.: LP09061935

Mechanical:

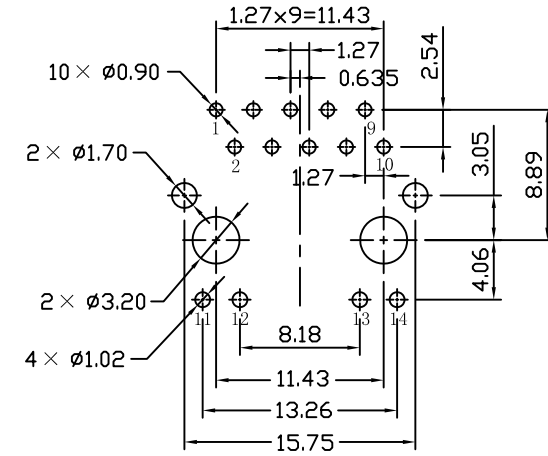
REV.	ECN NO.	DESCRIPTION	DATE	APPD
A	REL		2015-06-03	



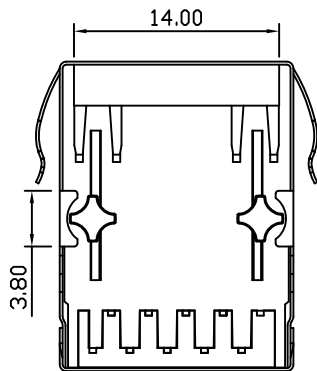
Front Side View



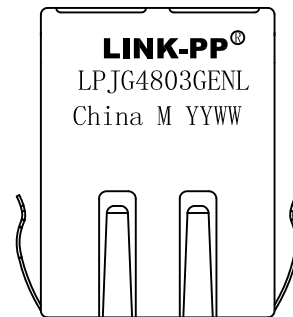
Left Side View



Suggested PCB Layout (Top View)



Bottom Side View



Top Side View

NOTES:

1. Designed to support application, such as SOHO (ADSL modems), LAN-on-Motherboard (LOM), hub and Switches.
2. Meets IEEE802.3 specification.
3. Connector Materials:
 Housing: Thermoplastic PBT+30%G.F UL94V-0
 Contact: Phosphor Bronze C5210R-EH Thickness=0.35mm
 Pins: Brass C2680R-H Thickness=0.35mm
 Shield: SUS 201-1/2H Thickness=0.2mm
 Contact plating: Gold 6 micro-inches min. In contact area.
4. Wave solder tip temperature: 250°C, 5 Sec.
5. UL Certification: File Number E484635.

X:X ±0.30	APPD:	LINK-PP INT'L TECHNOLOGY CO., LIMITED
X:XX ±0.25	CHKD:	
X:XXX ±0.05	DR: TOM	TITLE: RJ45 Connector with 1000 Base-T Integrated Magnetics
ANGLES ±1°	UNIT: mm	PART NO.: LPJG4803GENL
	SCALE: 2/1	SHEET: 2/2
	REV: A	DWG NO.: LP09061935