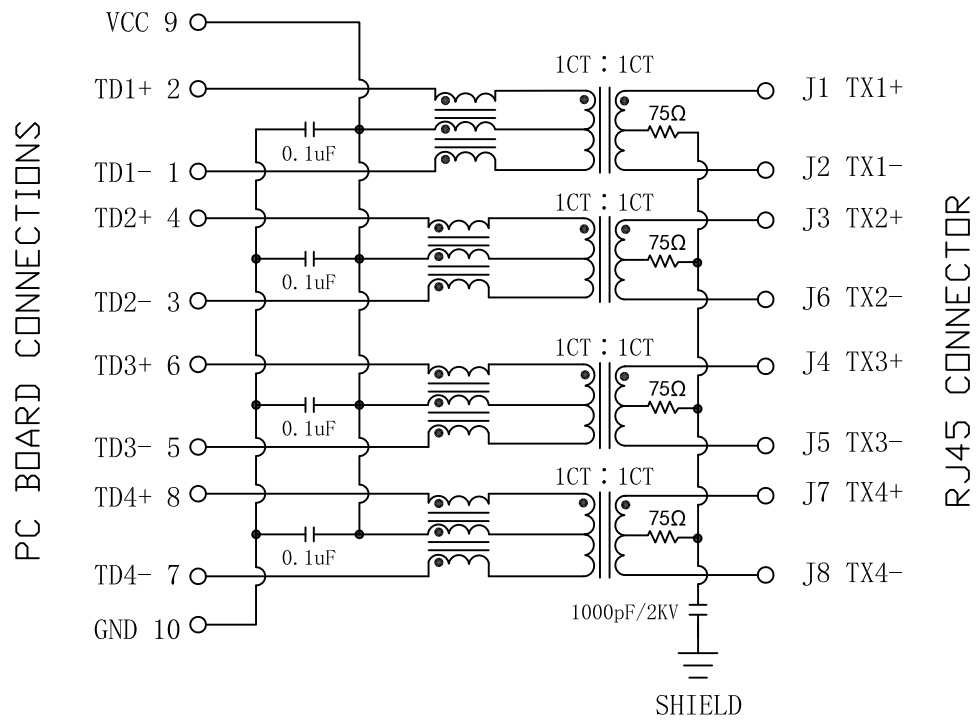


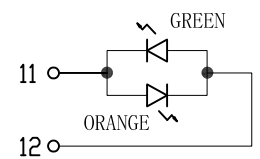
Schematic:

REV.	ECN NO.	DESCRIPTION	DATE	APPD
A	REL		2019/04/09	



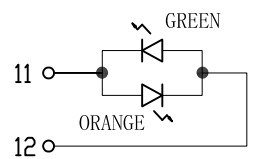
Electrical Specifications @25°C

- Turns Ratio ($\pm 3\%$) :
Pri:Sec = 1CT:1CT
- Inductance: 350uH Min
@100KHz 100mV 8mADC Bias
- Insertion Loss:
1-100MHz:-1.2dB Max
- Return Loss(dB Min) :
1-30MHz:-16
40MHz:-14
50MHz:-13
60-80MHz:-12
- Crosstalk(dB Min) :
30MHz:-43
60MHz:-37
100MHz:-33
- Differential to common mode rejection:
30MHz:-50dB Min
60MHz:-43dB Min
100MHz:-35dB Min
- Isolation Voltage: 1500Vrms
- Operating Temperature Range: $-40^{\circ}\text{C} \sim +85^{\circ}\text{C}$.



LEFT LED

LED POLARITY		COLOR
PIN 11	PIN 12	
+	-	ORANGE
-	+	GREEN



RIGHT LED

LED POLARITY		COLOR
PIN 11	PIN 12	
+	-	ORANGE
-	+	GREEN



Emitting Color	λ p(nm)	VF@IF=20mA	IR @VR=5V
GREEN	565	1.8~2.6V	10 μ A max
ORANGE	610	1.8~2.6V	10 μ A max

X:X	± 0.30	APPD:	LINK-PP INT'L TECHNOLOGY CO., LIMITED
X:XX	± 0.25	CHKD:	
X:XXX	± 0.05	DR: TOM	TITLE: RJ45 .Transformer. 1000 Base-T. 2X4 Port
ANGLES	$\pm 1^{\circ}$	UNIT: mm	PART NO.: LPJG47737A55NL
	SCALE: 2/1	SHEET: 1/2	REV: A
			DWG NO.: LP19040932

