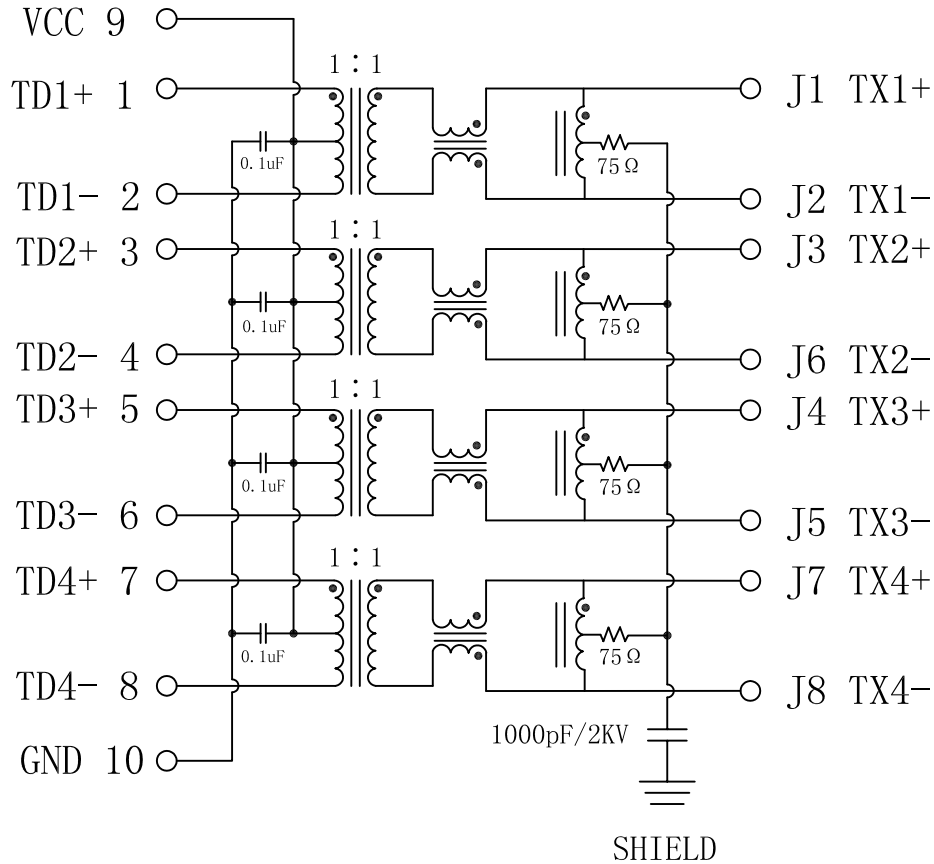


# Schematic:

REV.	ECN NO.	DESCRIPTION	DATE	APPD
A	REL		2011/07/13	

PCB CONNECTIONS



RJ45 CONNECTOR

## Electrical Specifications @25°C

### 1. Transmitter & Receiver filter

Insertion Loss:

1~125MHz: -1.2dB MAX

Return Loss:

1~30MHz: -18dB MIN. load 100Ω

30~60MHz: -16dB MIN. load 100Ω

60~80MHz: -12dB MIN. load 100Ω

80~100MHz: -10dB MIN. load 100Ω

### 2. Turns Ratio:

TX=1:1      RX=1:1

### 3. Inductance (100KHz, 0.1V, 8mA DC BIAS):

350uH MIN

### 4. Crosstalk:

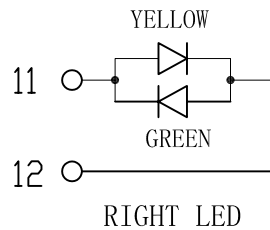
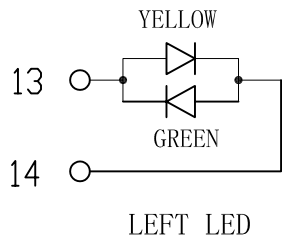
1~100MHz: -25dB MIN

### 5. Common Mode Rejection:

1~100MHz: -30dB MIN

### 6. HiPot Test: 1500Vrms, 60sec

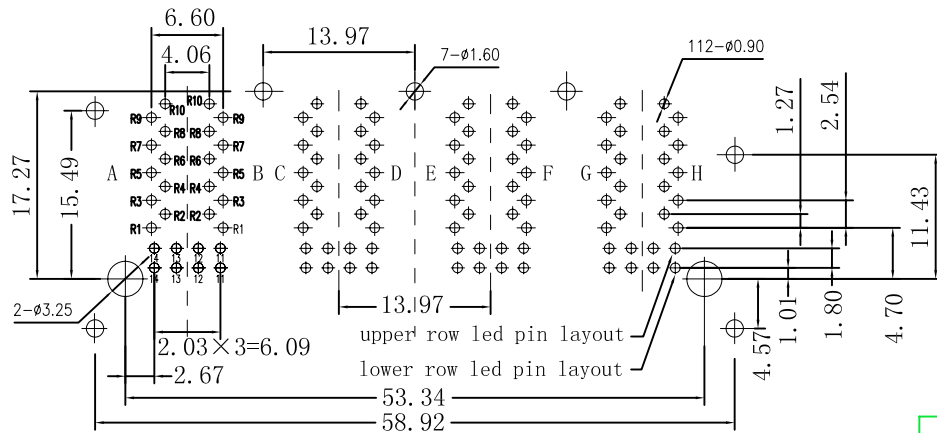
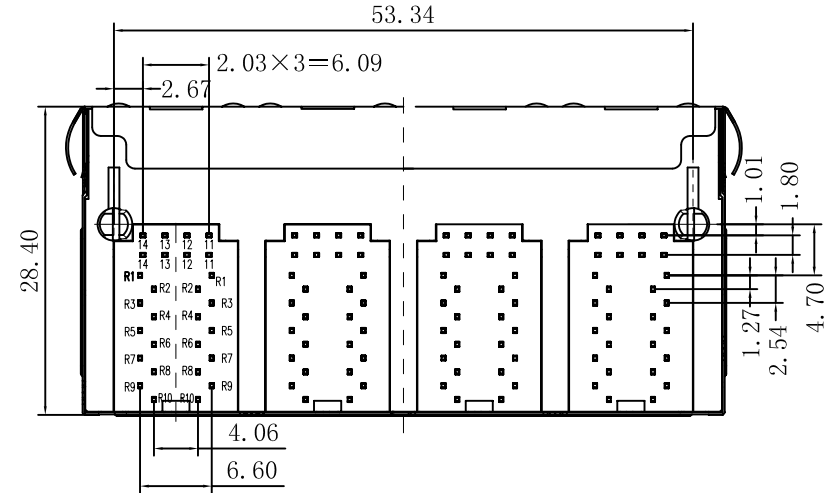
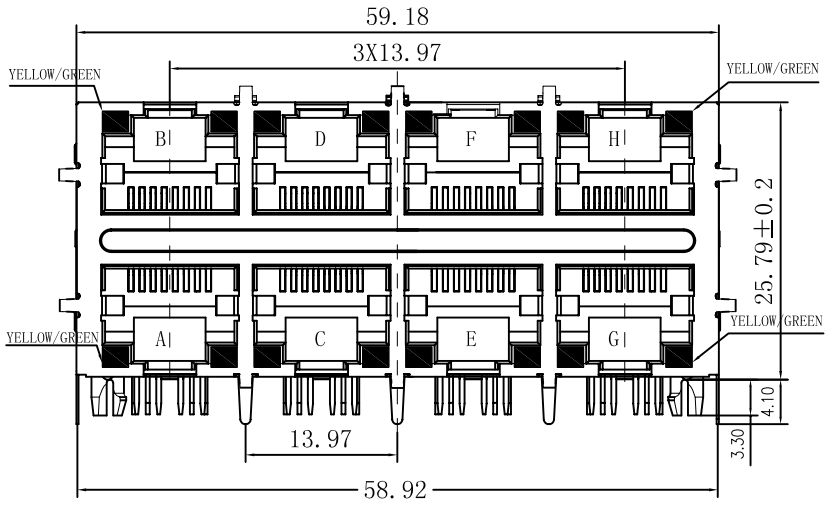
### 7. Operating Temperature Range: 0°C TO +70°C.



X:X	±0.20	APPD:	LINK-PP INT'L TECHNOLOGY CO., LIMITED
X:XX	±0.10	CHKD:	
X:XXX	±0.05	DR: TOM	Title: RJ45 . Transformer. 1000 Base-T . 2x4
ANGLES	±1°	UNIT: mm	PART NO.: LPJG47542A47NL
	SCALE: 2/1	SHEET: 1/2	REV: A      DWG NO.: LP11071301

# Mechanical :

REV.	ECN NO.	DESCRIPTION	DATE	APPD
A	REL		2011/07/13	



SUGGESTED PCB LAYOUT (TOP VIEW)



## NOTES:

1. Designed to support application, such as SOHO (ADSL modems), LAN-on-Motherboard (LOM), hub and Switches.
2. Meets IEEE 802.3 specification
3. Connector Materials:  
Housing: Thermoplastic UL94V-0  
Contact/Shield: Copper alloy  
Shield plating: Nickel  
Contact plating: Gold 6 micro-inches min. In contact area.
4. Wave solder tip temperature: 265°C Max  
Wave solder tip temperature time: 5 Sec Max

X:X	±0.20	APPD:	LINK-PP INT'L TECHNOLOGY CO., LIMITED
X:XX	±0.10	CHKD:	
X:XXX	±0.05	DR: TOM	Title: RJ45 .Transformer. 1000 Base-T . 2x4
ANGLES	±1°	UNIT: mm	PART NO. : LPJG47542A47NL
	SCALE: 2/1	SHEET: 2/2	REV: A DWG NO. : LP11071301