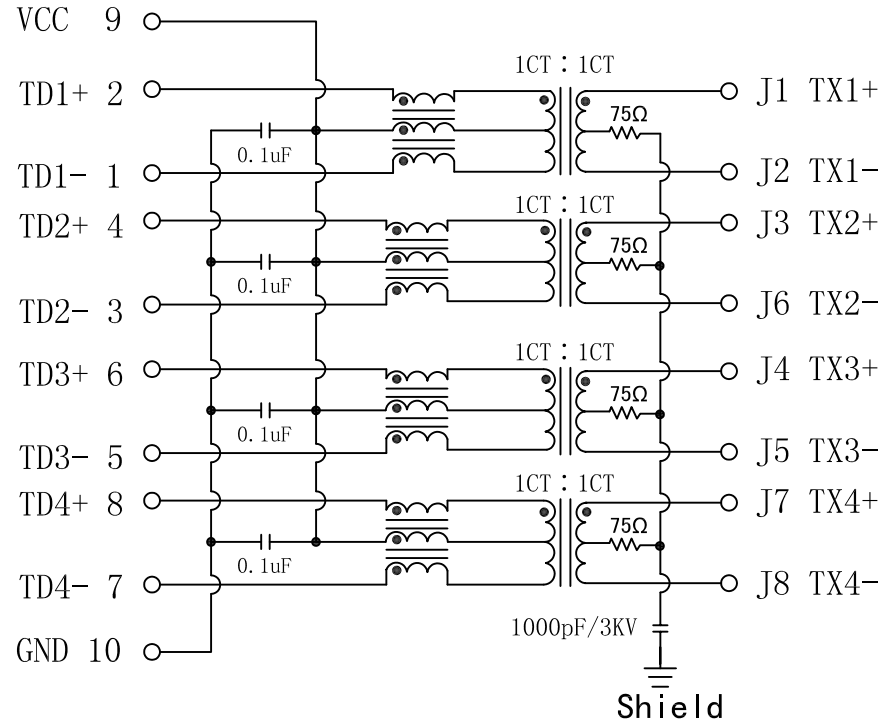


Schematic:

REV.	ECN NO.	DESCRIPTION	DATE	APPD
A	REL		2012/06/14	

PCB CONNECTIONS



RJ45 CONNECTOR

Electrical Specifications @25°C

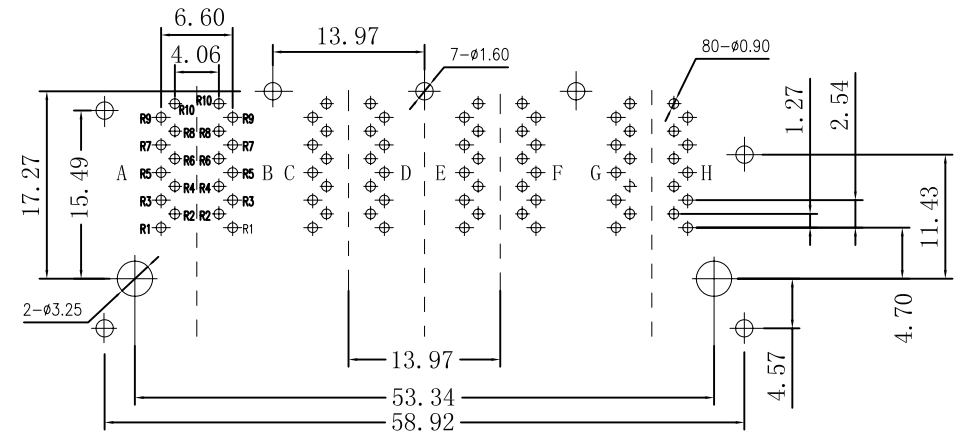
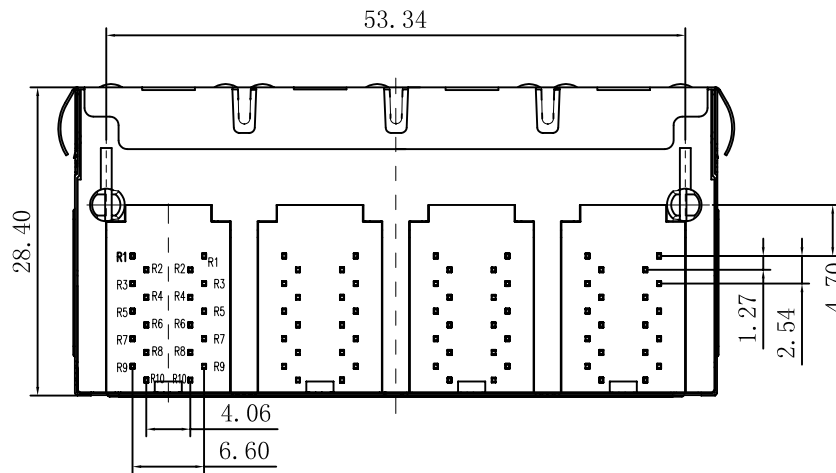
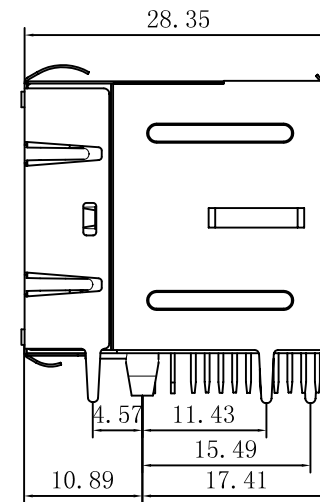
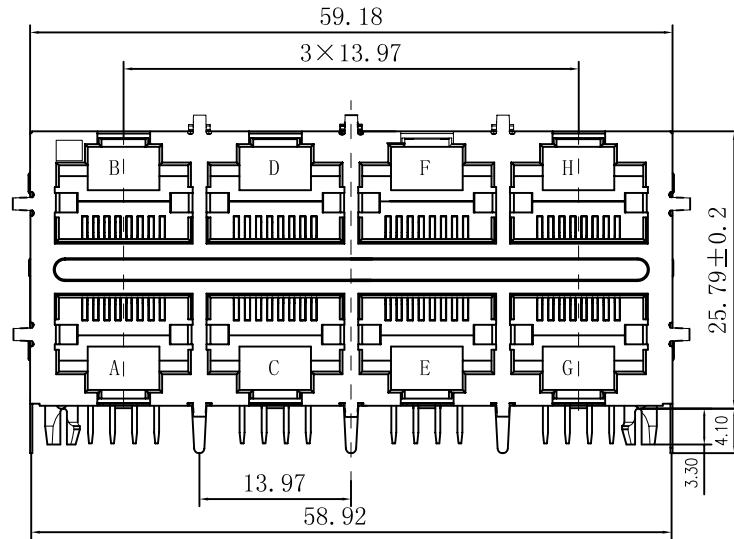
- OCL(@100KHz, 100mVrms, 8mA DC Bias):
350uH min
- Turns Ratio: 1CT : 1CT ±2%
- Insertion Loss:
1~100MHz:-1.0dB Max
- Return Loss(dB Min @100 Ω):
1~30MHz:-18
30~60MHz:-16
60~80MHz:-12
80~100MHz:-10
- Crosstalk:
1~100MHz:-30dB Min
- Common Mode Rejection
1~100MHz:-30dB Min
- Hi-Pot: 1500Vrms @60Hz
- Operating Temperature: 0°C~70°C.



X:X	±0.20	APPD:	LINK-PP INT'L TECHNOLOGY CO., LIMITED
X:XX	±0.10	CHKD:	
X:XXX	±0.05	DR: TOM	Title: RJ45 .Transformer. 1000 Base-T . 2×4
ANGLES	±1°	UNIT: mm	PART NO.: LPJG47537-1CNL
	SCALE: 2/1	SHEET: 1/2	REV: A
			DWG NO.: LP12061405

Mechanical :

REV.	ECN NO.	DESCRIPTION	DATE	APPD
A	REL		2012/06/14	



SUGGESTED PCB LAYOUT (TOP VIEW)

NOTES:

1. Designed to support application, such as SOHO (ADSL modems), LAN-on-Motherboard (LOM), hub and Switches.
2. Meets IEEE 802.3 specification
3. Connector Materials:
Housing: Thermoplastic UL94V-0
Contact/Shield: Copper alloy
Shield plating: Nickel
Contact plating: Gold 6 micro-inches min. In contact area.
4. Wave solder tip temperature: 265°C Max
Wave solder tip temperature time: 5 Sec Max



X:X	±0.20	APPD:	LINK-PP INT'L TECHNOLOGY CO., LIMITED	
X:XX	±0.10	CHKD:	Title: RJ45 .Transformer.1000 Base-T . 2x4	
X:XXX	±0.05	DR: TOM	PART NO. : LPJG47537-1CNL	
ANGLES	±1°	UNIT: mm		
	SCALE: 2/1	SHEET: 2/2	REV: A	DWG NO. : LP12061405