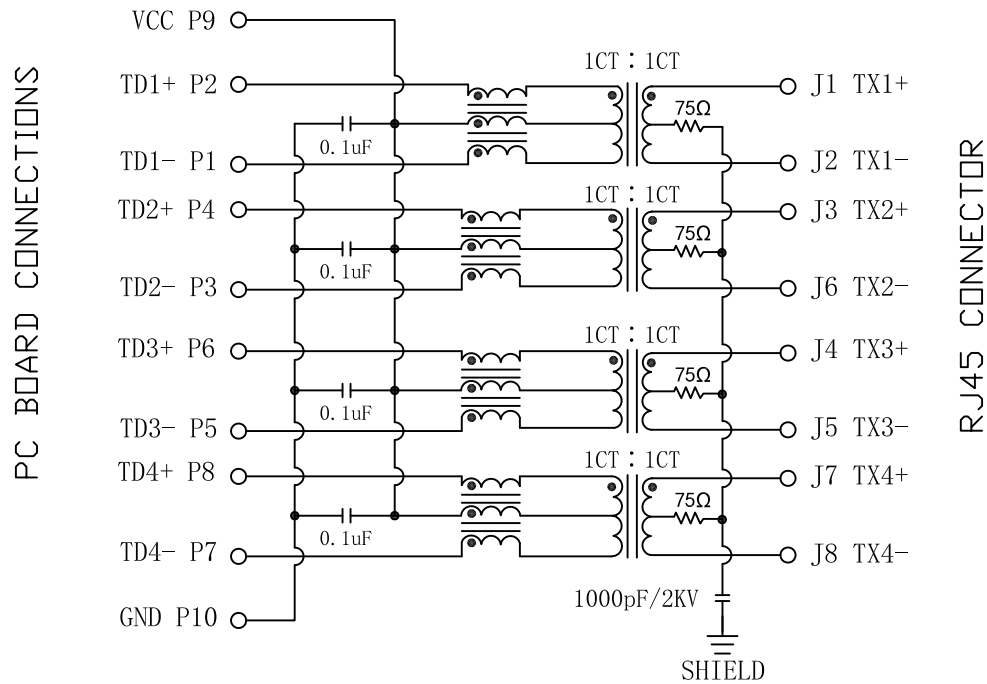


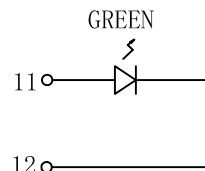
# Schematic:

REV.	ECN NO.	DESCRIPTION	DATE	APPD
A	REL		2015/06/18	



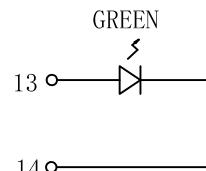
## Electrical Specification @25°C

- Turns Ratio:  
Pri : Sec = 1CT : 1CT
- OCL: 350uH Min  
@100KHz, 100mVrms, 8mA DC Bias
- Insertion Loss:  
0.5~100MHz: -1.1dB Max
- Return Loss(dB Min):  
0.5~30MHz: -18  
30.1~60MHz: -18-20Log(f/30MHz)  
60.1~80MHz: -12
- Crosstalk(dB Min):  
0.5~40MHz: -35  
40.1~100MHz: -33-20Log(f/50MHz)
- Common Mode Rejection Ratio(CMRR):  
0.5~100MHz: -30dB Min
- Hi-Pot: 1500Vrms @60Hz
- Operating Temperature: -40°C ~ +85°C.



LEFT LED

LED POLARITY		COLOR
PIN 11	PIN 12	
+	-	GREEN



RIGHT LED

LED POLARITY		COLOR
PIN 13	PIN 14	
+	-	GREEN

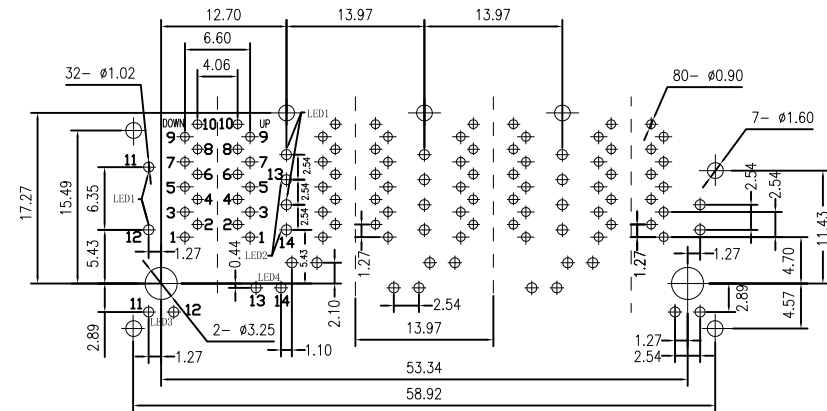
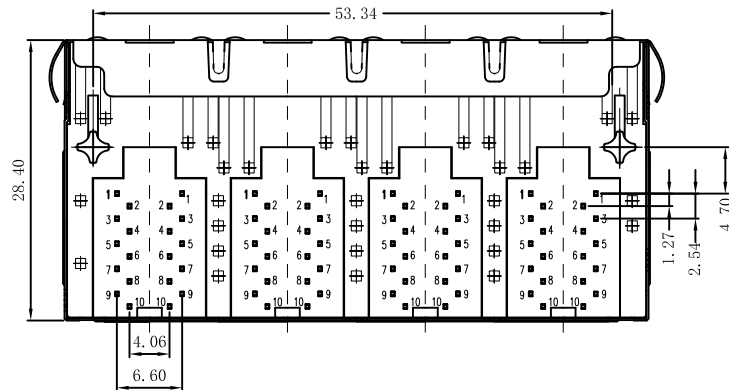
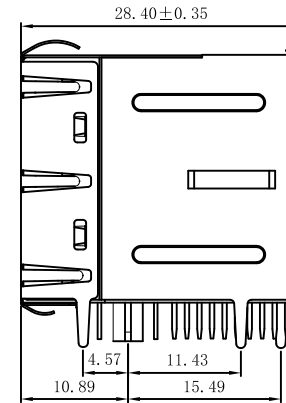
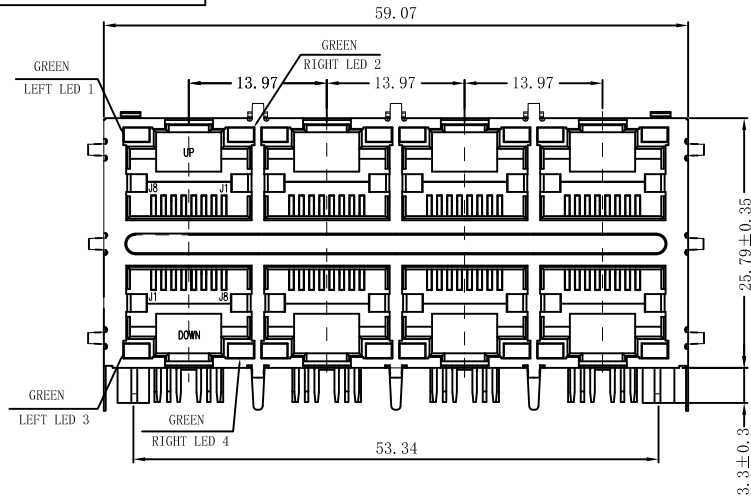


Emitting Color	$\lambda$ p(nm)	VF@IF=20mA	IR @VR=5V
GREEN	565	1.8~2.6V	10 $\mu$ A max
YELLOW	585	1.8~2.6V	10 $\mu$ A max

X:X	$\pm 0.30$	APPD:	LINK-PP INT'L TECHNOLOGY CO., LIMITED
X:XX	$\pm 0.25$	CHKD:	
X:XXX	$\pm 0.05$	DR: SEA	TITLE: RJ45 .Transformer. 1000 Base-T W/LED. 2x4 Port
ANGLES	$\pm 1^\circ$	UNIT: mm	PART NO.: LPJG47037AFNL
	SCALE: 2/1	SHEET: 1/2	REV: A
			DWG NO.: LP15061853

# Mechanical :

REV.	ECN NO.	DESCRIPTION	DATE	APPD
A	REL		2015/06/18	



SUGGESTED PCB LAYOUT (TOP VIEW)

## NOTES:

1. Designed to support application, such as SOHO (ADSL modems), LAN-on-Motherboard (LOM), hub and Switches.
2. Meets IEEE 802.3 specification
3. Connector Materials:  
Housing: Thermoplastic UL94V-0  
Contact/Shield: Copper alloy  
Shield plating: Nickel  
Contact plating: Gold 6 micro-inches min. In contact area.
4. Wave solder tip temperature: 265°C Max, 5 Sec.
5. UL Certification: File Number E484635.



X:X	±0.30	APPD:	LINK-PP INT'L TECHNOLOGY CO., LIMITED	
X:XX	±0.25	CHKD:	TITLE: RJ45 . Transformer. 1000 Base-T W/LED. 2×4 Port	
X:XXX	±0.05	DR: SEA	PART NO.: LPJG47037AFNL	
ANGLES	±1°	UNIT: mm	DWG NO.: LP15061853	
	SCALE: 2/1	SHEET: 2/2	REV: A	