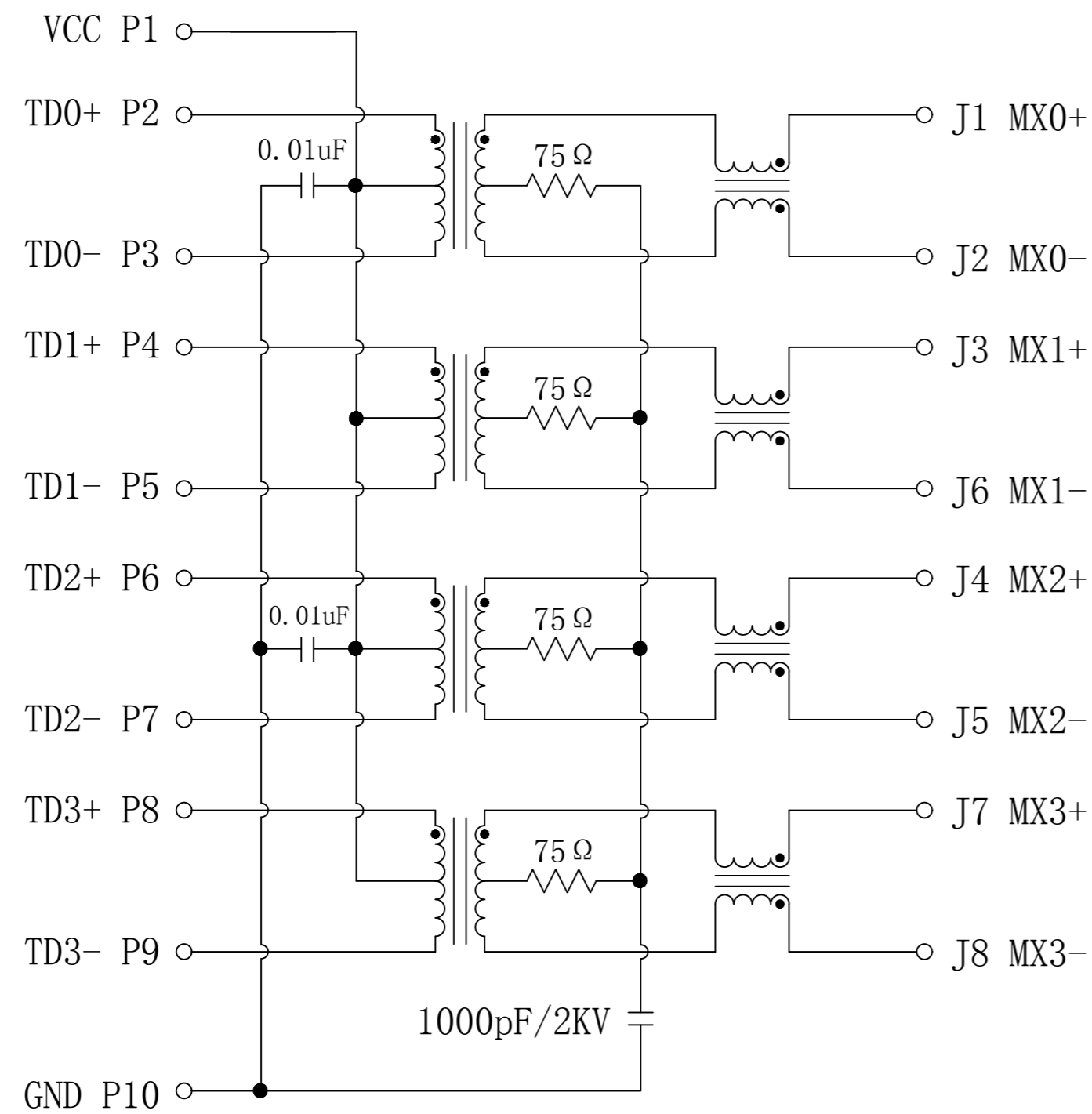


Schematic:

| REV. | ECN NO. | DESCRIPTION | DATE | APPD |
|------|---------|-------------|------------|------|
| A | REL | | 2012/12/20 | |

PCB CONNECTIONS



RJ45 CONNECTOR

Electrical Specifications @25°C

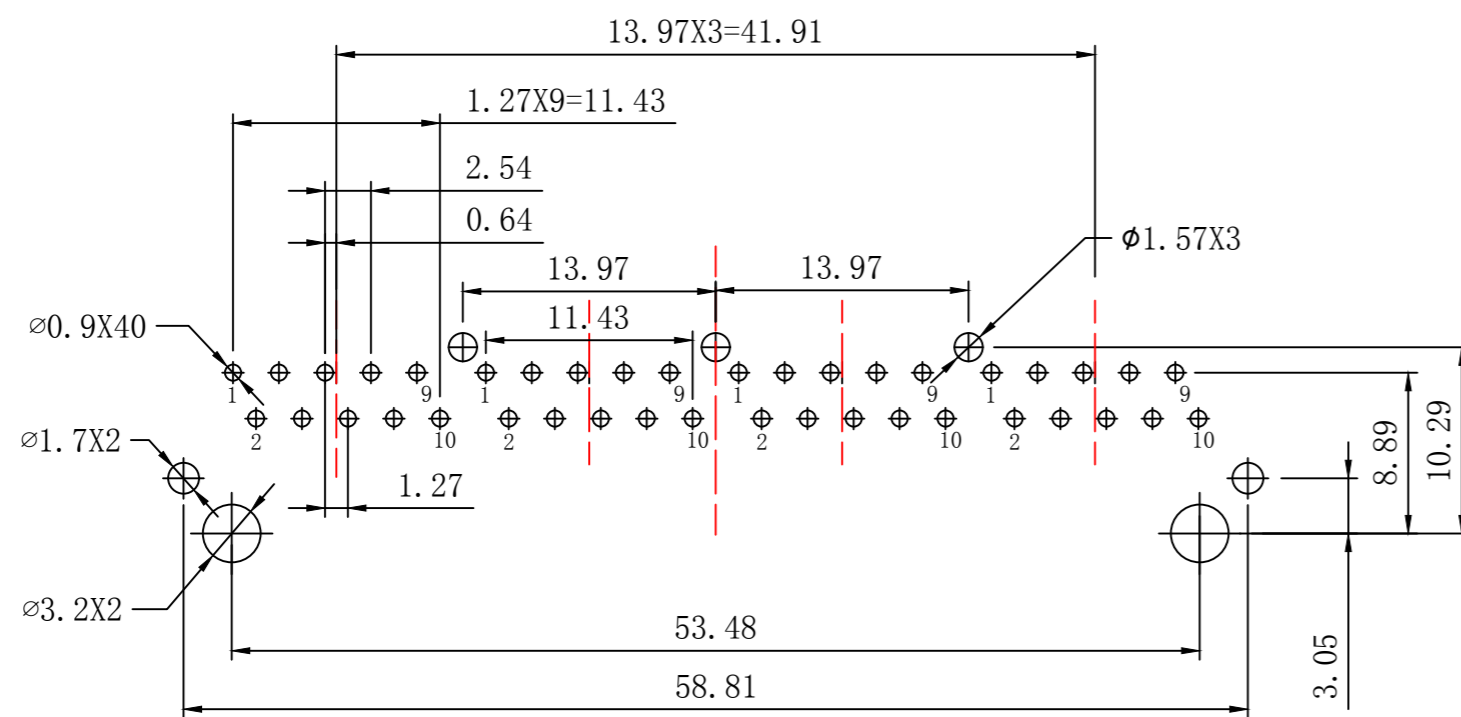
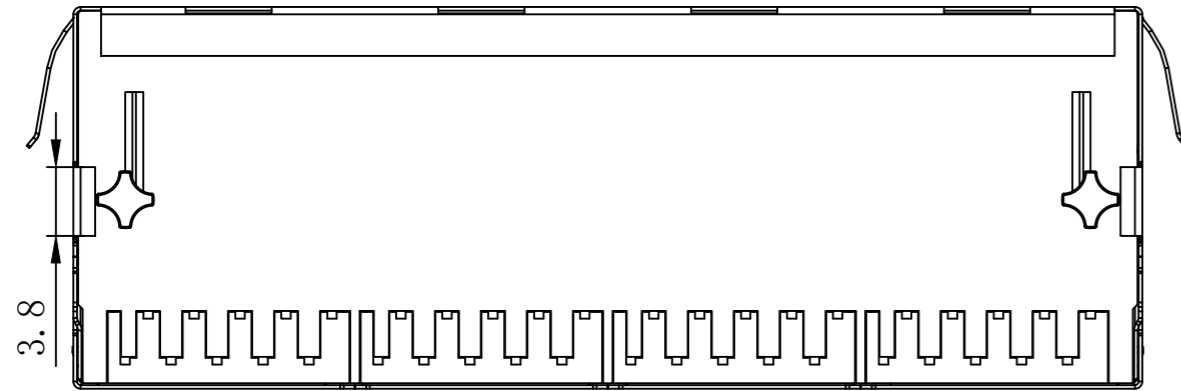
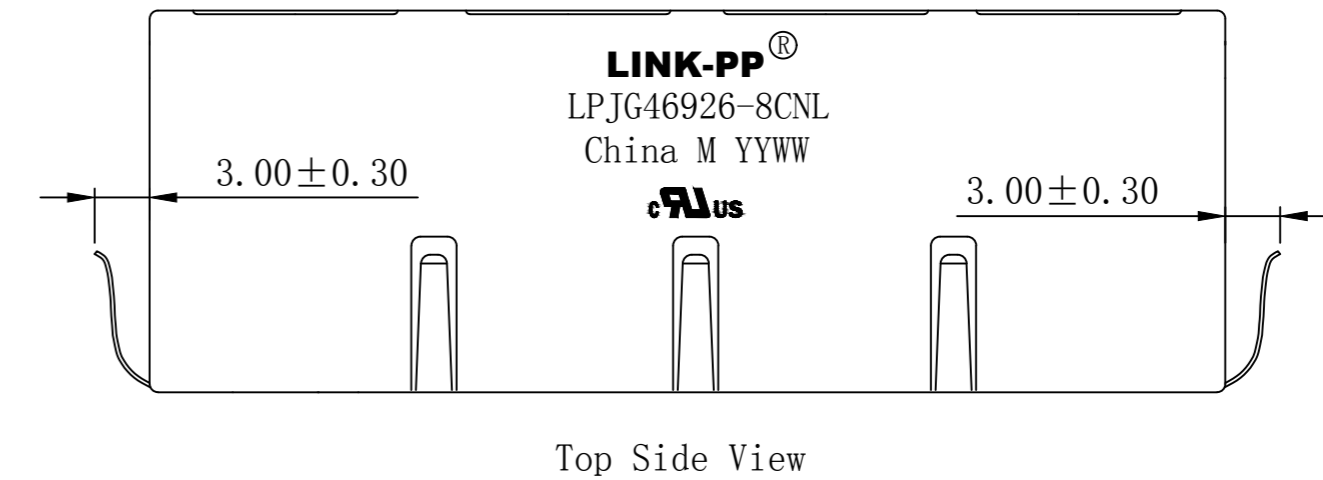
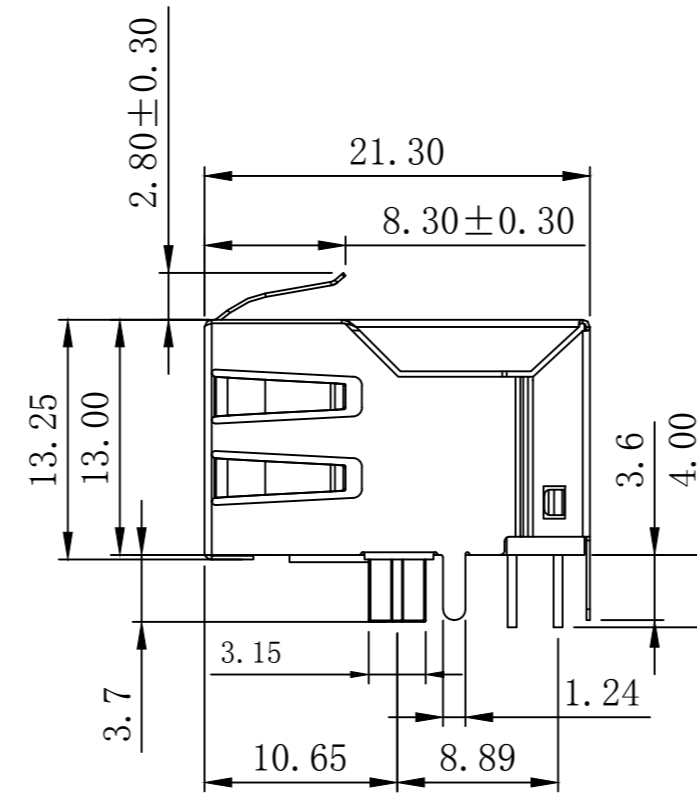
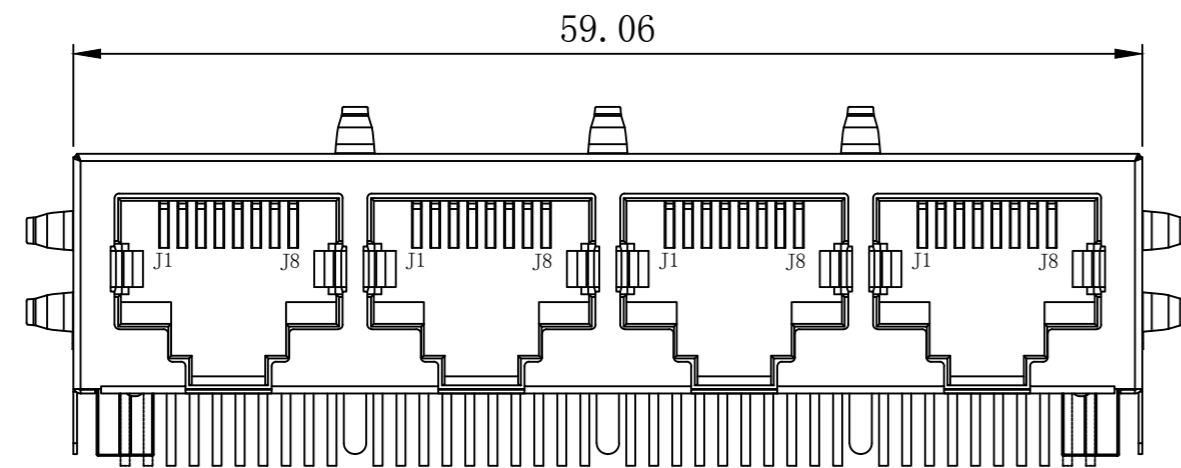
- OCL: 350uH MIN
@100KHz, 100mV, 8mA bias current.
- Turns Ratio ($\pm 3\%$) :
1CT : 1CT
- Insertion Loss:
1-100MHz: -1.1dB MAX
- Return Loss (dB MIN) :
1-40MHz: -18 60MHz: -14
80MHz: -12 100MHz: -10
- Crosstalk:
1-100MHz: -35dB TYP
- CMR (dB TYP) :
0.1-30MHz: -50 30-60MHz: -40
60-100MHz: -35
- Isolation PHY SIDE To Line SIDE : 1500Vrms
- Operating Temperature: -40°C TO +85°C.



| | | | | |
|--------|---------------|-------|--------|---------------------------------------|
| X:X | ± 0.30 | APPD: | TOM | LINK-PP INT'L TECHNOLOGY CO., LIMITED |
| X:XX | ± 0.25 | CHKD: | JAMES | |
| X:XXX | ± 0.05 | DR: | LEO | |
| ANGLES | $\pm 1^\circ$ | UNIT: | mm | PART NO.: LPJG46926-8CNL |
| | SCALE: | 2/1 | SHEET: | 1/2 |
| | | REV: | A | DWG: LP12072433 |

Mechanical :

| REV. | ECN NO. | DESCRIPTION | DATE | APPD |
|------|---------|-------------|------------|------|
| A | REL | | 2012/12/20 | |



Suggested PCB Layout (Top View)

NOTES:

1. Designed to support application, such as SOHO (ADSL modems), LAN-on-Motherboard (LOM), hub and Switches.
2. Meets IEEE802.3 specification.
3. Connector Materials:
 Housing: Thermoplastic PBT+30%G.F UL94V-0
 Contact: Phosphor Bronze C5210R-EH Thickness=0.35mm
 Pins: Brass C2680R-H Thickness=0.35mm
 Shield: SUS 304-1/2H Thickness=0.2mm
 Contact plating: Gold 30 micro-inches min. In contact area.
4. Wave solder tip temperature: 250°C, 5 Sec.
5. UL Certification: File Number E484635.



| | | | | |
|--------|--------|-------|--------|---|
| X:X | ±0.30 | APPD: | TOM | LINK-PP INT'L TECHNOLOGY CO., LIMITED |
| X:XX | ±0.25 | CHKD: | JAMES | |
| X:XXX | ±0.05 | DR: | LEO | TITLE: RJ45 Connector With 1000 Base-TX Integrated Magnetic |
| ANGLES | ±1° | UNIT: | mm | PART NO.: LPJG46926-8CNL |
| | SCALE: | 2/1 | SHEET: | 2/2 |
| | REV: | A | DWG: | LP12072433 |