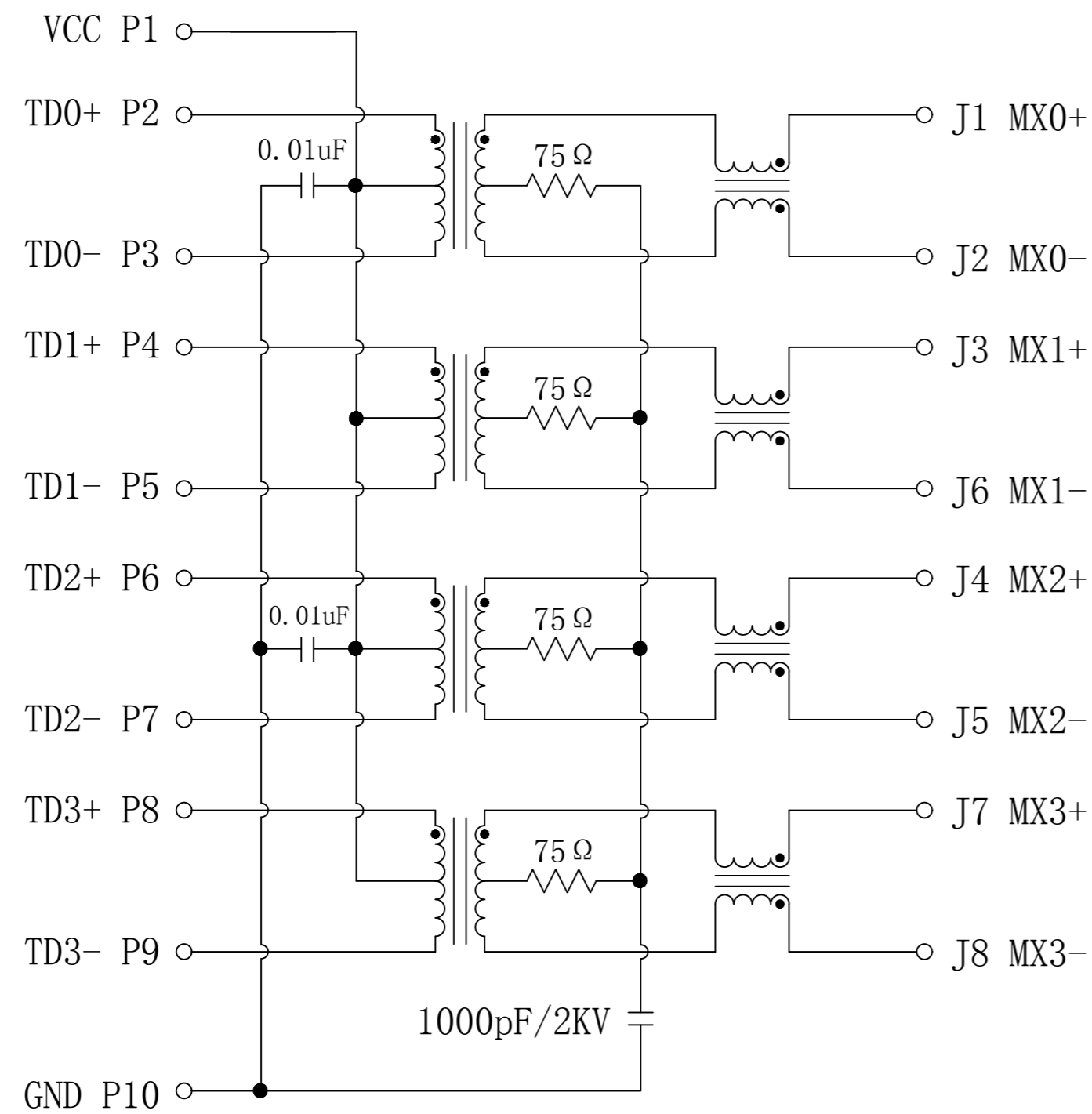


# Schematic:

REV.	ECN NO.	DESCRIPTION	DATE	APPD
A	REL		2012/12/20	

PCB CONNECTIONS



RJ45 CONNECTOR

### Electrical Specifications @25°C

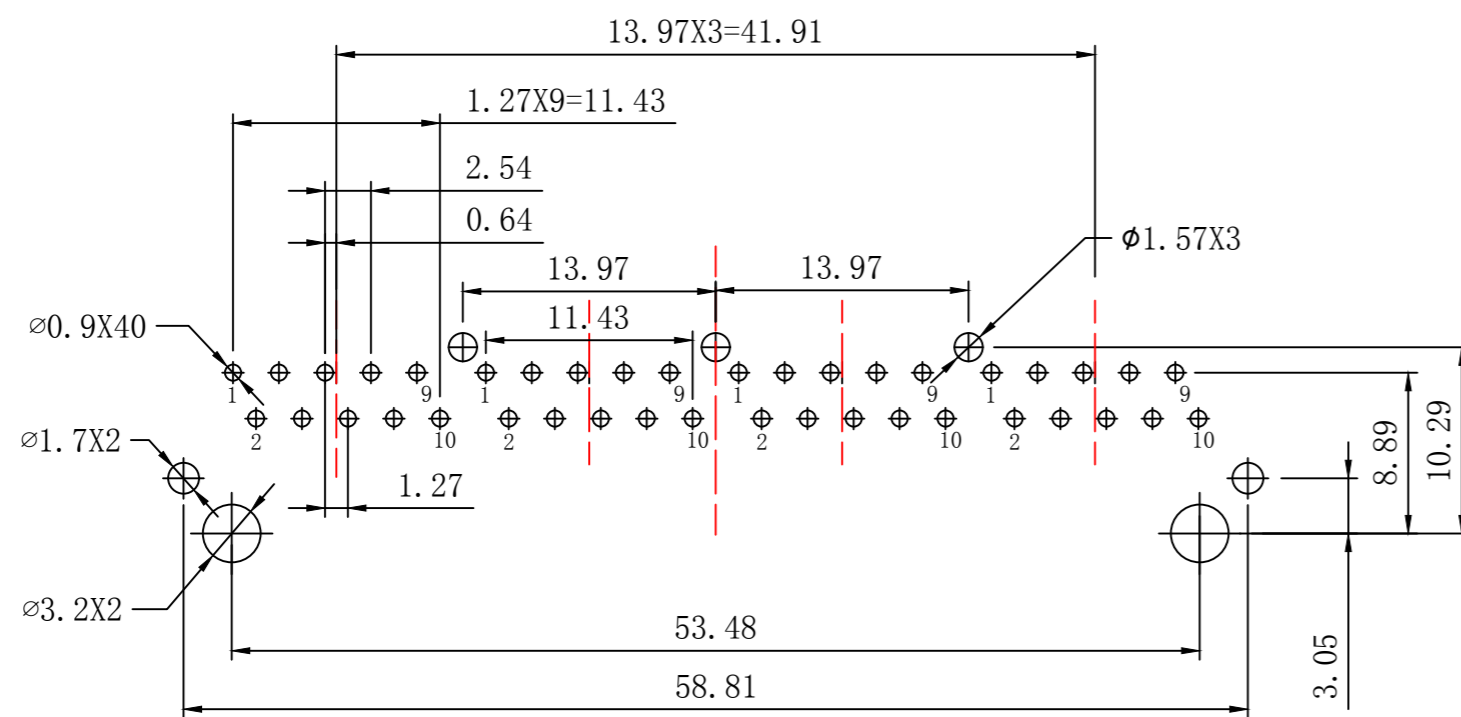
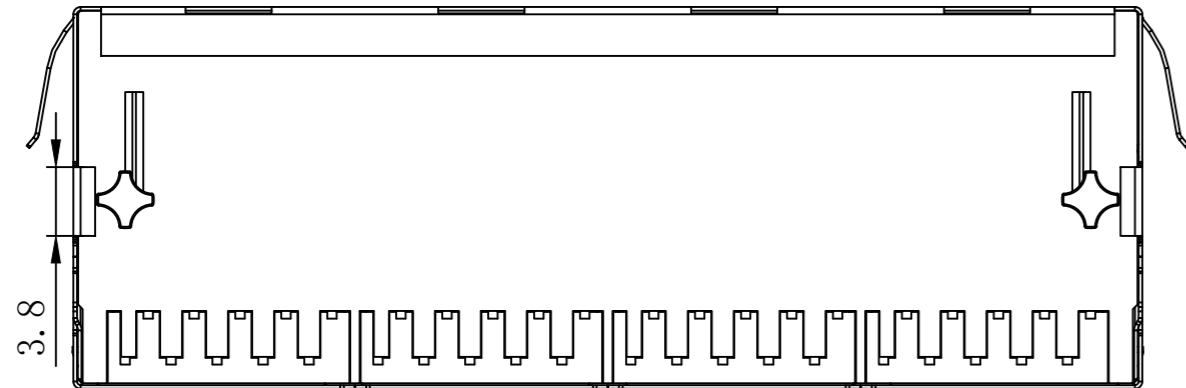
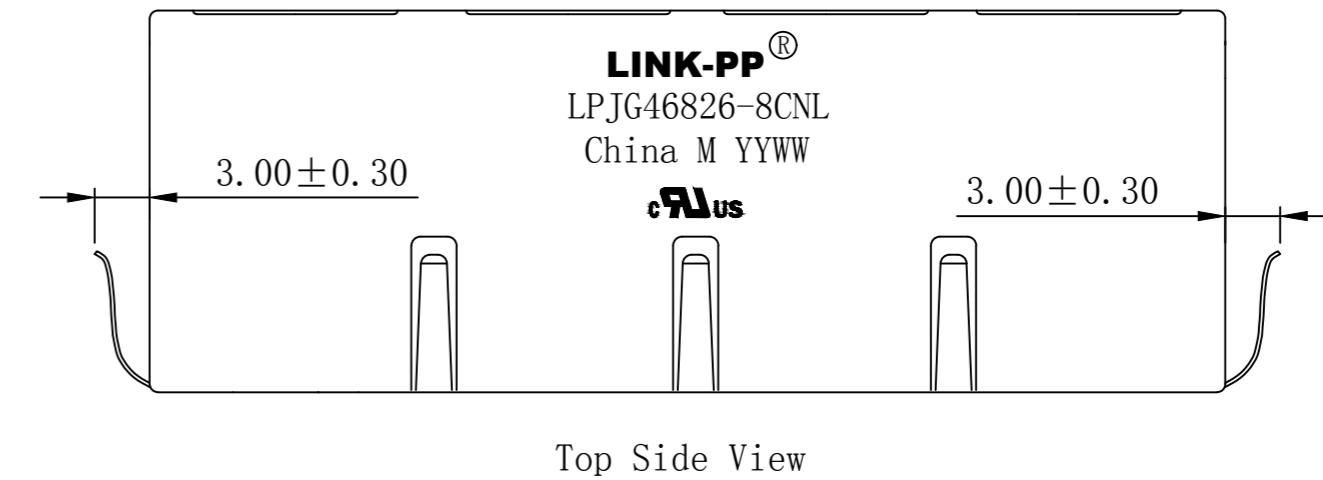
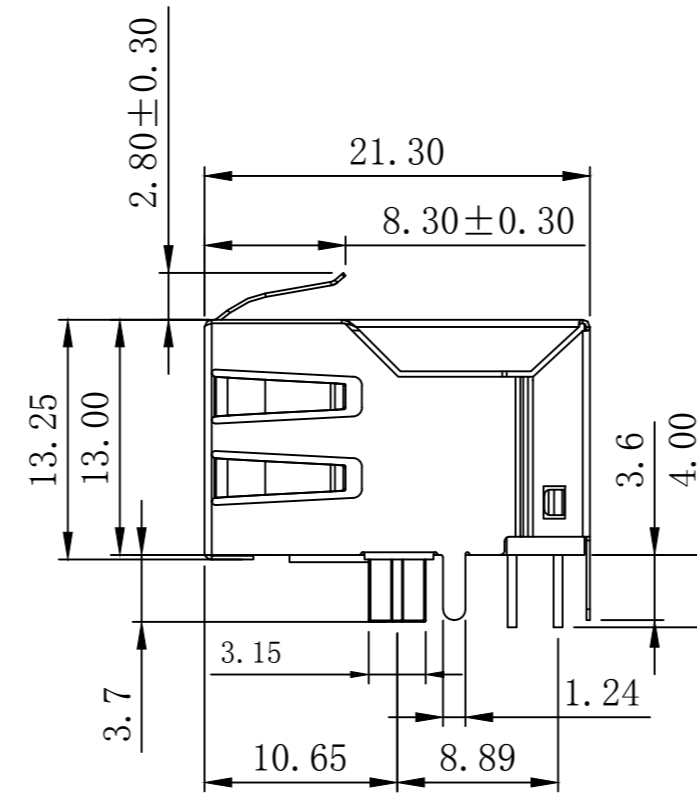
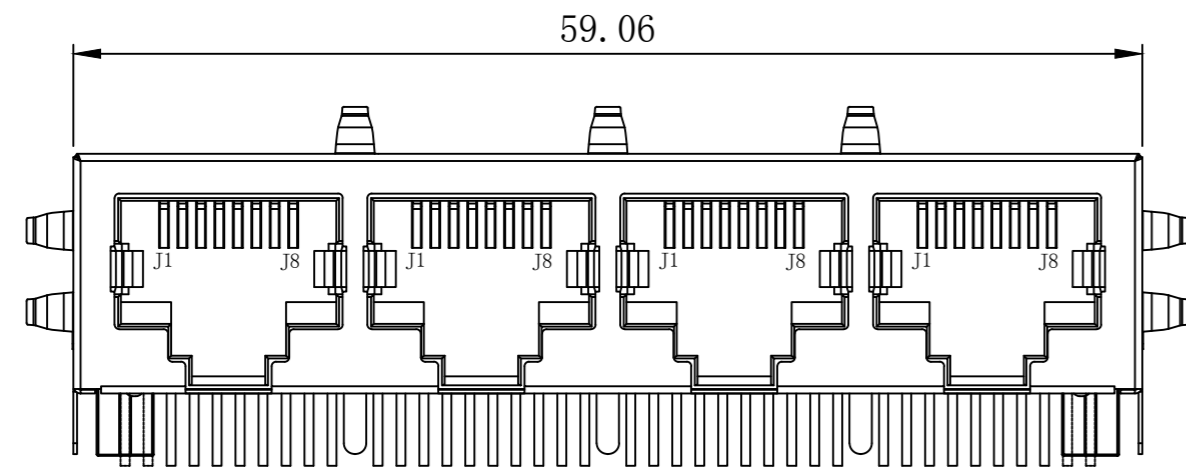
- OCL: 350uH MIN  
@100KHz, 100mV, 8mA bias current.
- Turns Ratio ( $\pm 3\%$ ) :  
1CT : 1CT
- Insertion Loss:  
1-100MHz: -1.1dB MAX
- Return Loss (dB MIN) :  
1-40MHz: -18      60MHz: -14  
80MHz: -12      100MHz: -10
- Crosstalk:  
1-100MHz: -35dB TYP
- CMR (dB TYP) :  
0.1-30MHz: -50    30-60MHz: -40  
60-100MHz: -35
- Isolation PHY SIDE To Line SIDE : 1500Vrms
- Operating Temperature: 0°C TO 70°C.



X:X	$\pm 0.30$	APPD:	TOM	LINK-PP INT'L TECHNOLOGY CO., LIMITED
X:XX	$\pm 0.25$	CHKD:	JAMES	
X:XXX	$\pm 0.05$	DR:	LEO	
ANGLES	$\pm 1^\circ$	UNIT:	mm	TITLE: RJ45 Connector With 1000 Base-TX Integrated Magnetic
		PART NO.:	LPJG46826-8CNL	
	SCALE:	2/1	SHEET:	1/2
	REV:	A	DWG:	LP12072432

# Mechanical :

REV.	ECN NO.	DESCRIPTION	DATE	APPD
A	REL		2012/12/20	



Suggested PCB Layout (Top View)

## NOTES:

1. Designed to support application, such as SOHO (ADSL modems), LAN-on-Motherboard (LOM), hub and Switches.
2. Meets IEEE802.3 specification.
3. Connector Materials:  
 Housing: Thermoplastic PBT+30%G.F UL94V-0  
 Contact: Phosphor Bronze C5210R-EH Thickness=0.35mm  
 Pins: Brass C2680R-H Thickness=0.35mm  
 Shield: SUS 304-1/2H Thickness=0.2mm  
 Contact plating: Gold 30 micro-inches min. In contact area.
4. Wave solder tip temperature: 250°C, 5 Sec.
5. UL Certification: File Number E484635.



X:X	±0.30	APPD:	TOM	LINK-PP INT'L TECHNOLOGY CO., LIMITED
X:XX	±0.25	CHKD:	JAMES	
X:XXX	±0.05	DR:	LEO	TITLE: RJ45 Connector With 1000 Base-TX Integrated Magnetic
ANGLES	±1°	UNIT:	mm	PART NO.: LPJG46826-8CNL
	SCALE:	2/1	SHEET:	2/2
	REV:	A	DWG:	LP12072432