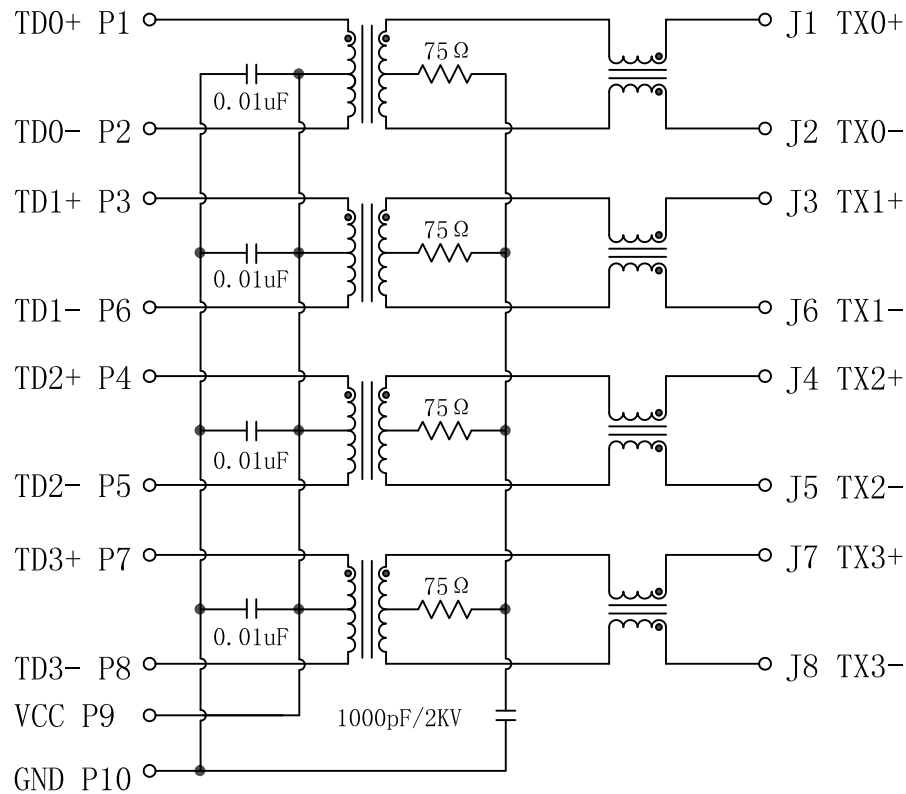


REV.	ECN NO.	DESCRIPTION	DATE	APPD
A	REL		2014-06-19	

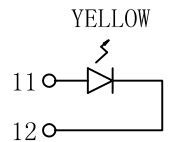
PCB CONNECTIONS



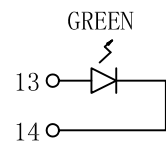
RJ45 CONNECTOR

ELECTRICAL SPECIFICATIONS@25°C

- Turn Ratio(±2%):
Pri: Sec = 1CT:1CT
- Inductance OCL: 350uH Min
@100KHz/0.1V, 8mA DC Bias
- Insertion Loss:
-1.0dB Max @1~65MHz
- Return Loss:
-20dB Min @1~10MHz
-16dB Min @10~30MHz
-12dB Min @30~60MHz
-10dB Min @60~100MHz
- Cross talk:
-40dB Min @1~30MHz
-35dB Min @30~60MHz
-30dB Min @60~100MHz
- Common Mode Rejection:
-30dB Min @1~50MHz
-20dB Min @50~150MHz
- Hipot: 1500Vrms Min
- Operating Temperature: 0°C~70°C.



LEFT LED



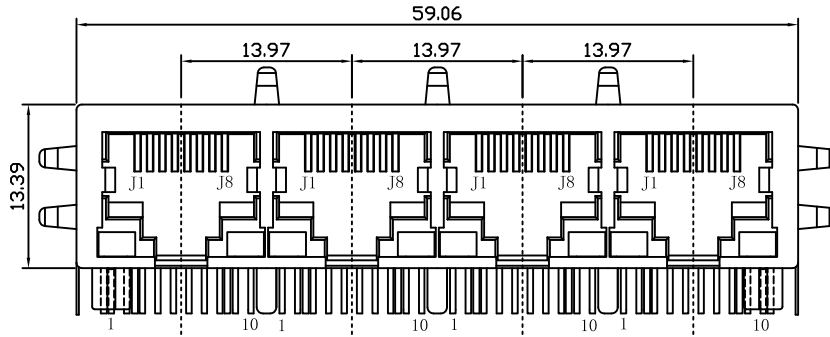
RIGHT LED

Emitting Color	λp(nm)	V _F @I _F =20mA	IR @V _R =5V
GREEN	565	1.8~2.6V	10 μA max
YELLOW	585	1.8~2.6V	10 μA max

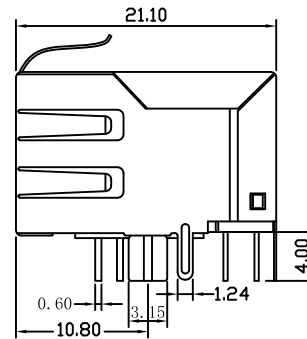
X:X ±0.30	APPD:	LINK-PP INT'L TECHNOLOGY CO., LIMITED
X:XX ±0.25	CHKD:	
X:XXX ±0.05	DR: TOM	TITLE: 1*4 RJ45 Connector with 1000 Base-T Integrated Magnetics
ANGLES ±1°	UNIT: mm	PART NO.: LPJG46813ADNL
	SCALE: 2/1	SHEET: 1/2
	REV: A	DWG NO.: TRC14061930

Mechanical:

REV.	ECN NO.	DESCRIPTION	DATE	APPD
A	REL		2014-06-19	



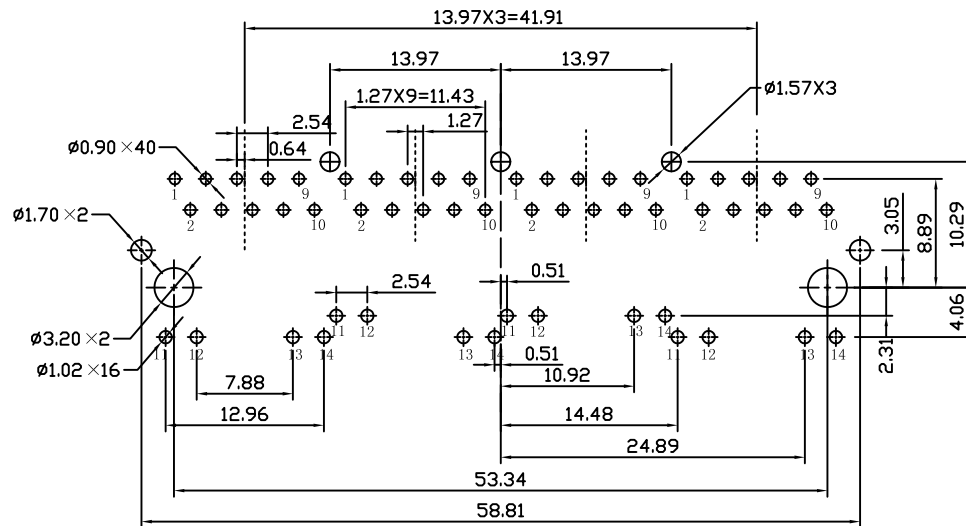
Front Side View



Left Side View



Top Side View



Suggested PCB Layout (Top View)



NOTES:

1. Meets IEEE 802.3 specification
2. Connector Materials:
 Housing Material: Thermoplastic PA46+30%G.F UL94V-0
 Contact Material: Phosphor Bronze C5210R-EH Thickness=0.35mm
 Pins: Brass C2680R-H Thickness=0.35mm
 Shield: Copper alloy Brass H65Y Thickness=0.2mm
 Contact plating: Gold 6 micro-inches min. In contact area.
3. Wave solder tip temperature: 265°C Max, 5 Sec.
4. UL Certification: File Number E484635.

X:X ±0.30	APPD:	LINK-PP INT'L TECHNOLOGY CO., LIMITED
X:XX ±0.25	CHKD:	
X:XXX ±0.05	DR: TOM	TITLE: 1*4 RJ45 Connector with 1000 Base-T Integrated Magnetics
ANGLES ±1°	UNIT: mm	PART NO.: LPJG46813ADNL
	SCALE: 2/1	SHEET: 2/2
	REV: A	DWG NO.: TRC14061930