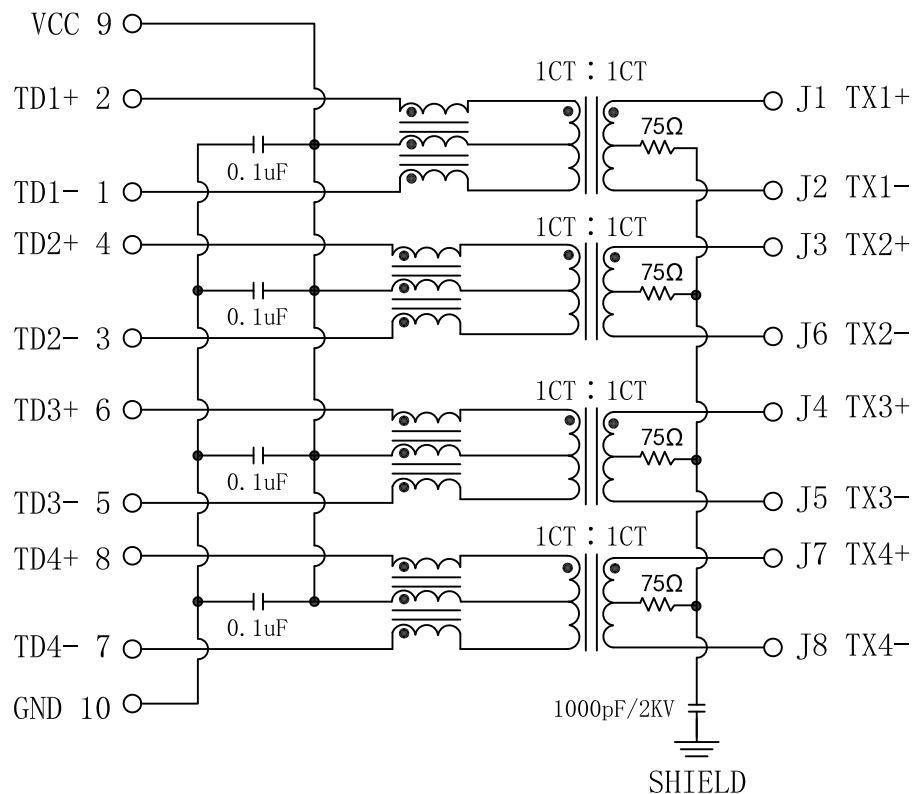


Schematic:

REV.	ECN NO.	DESCRIPTION	DATE	APPD
A	REL		2012/09/07	

PCB CONNECTIONS

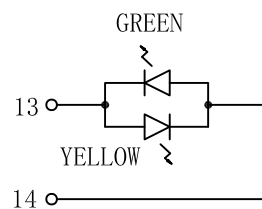


RJ45 CONNECTOR

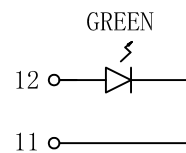
Electrical Specifications @25°C

- Turns Ratios:
Pri:Sec = 1CT:1CT
- OCL (100KHz, 0.1V, 8mA DC Bias):
350uH MIN
- Insertion Loss:
0.5~100MHz:-1.1dB MAX
- Return Loss:
0.5~40MHz:-18dB MIN
40.1~100MHz:-12-20LOG(f/80) dB MIN.
- Crosstalk:
0.5~40MHz:-35dB MIN
40.1~100MHz:-33-20LOG(f/50) dB MIN.
- Common Mode Rejection Ratio:
0.5~100MHz:-30dB MIN
- Hipot Test: 1500Vrms MIN
- Operating Temperature: -40°C TO +85°C.

Emitting Color	λ_p (nm)	VF@IF=20mA	IR @VR=5V
GREEN	565	1.8~2.6V	10 μ A max
YELLOW	585	1.8~2.6V	10 μ A max



LEFT LED



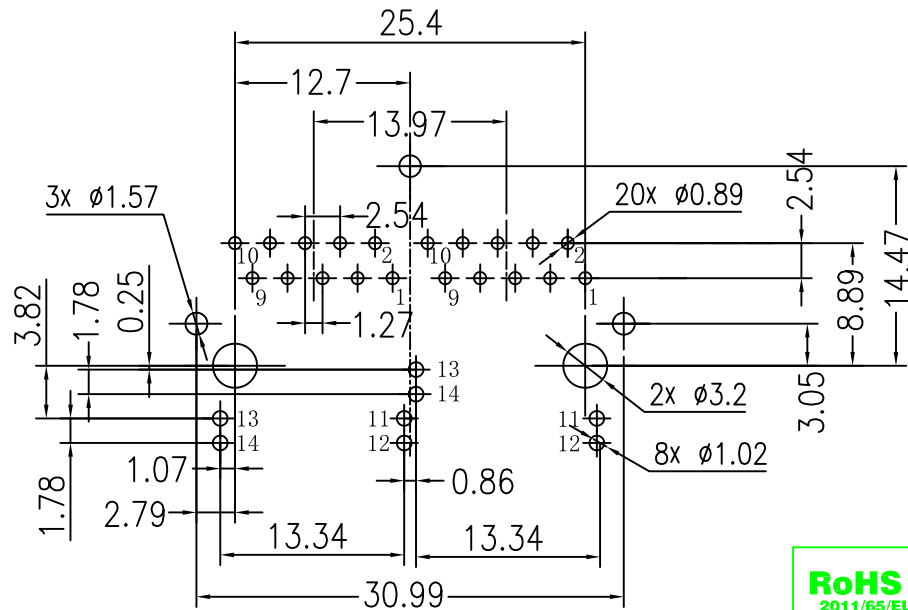
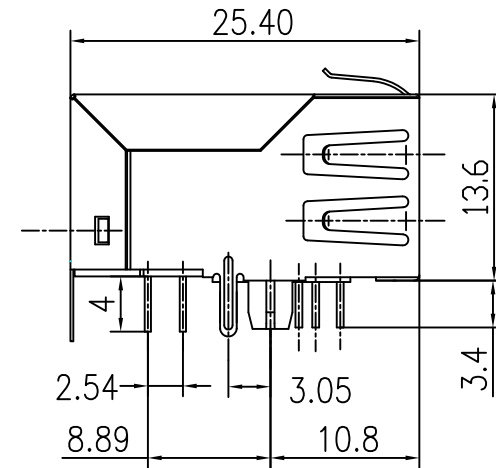
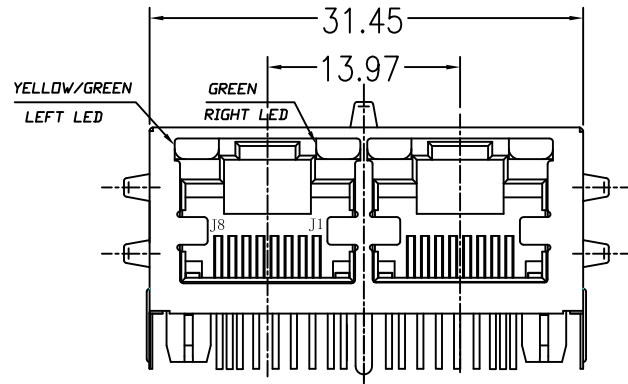
RIGHT LED



X:X	± 0.30	APPD:	LINK-PP INT'L TECHNOLOGY CO., LIMITED
X:XX	± 0.25	CHKD:	
X:XXX	± 0.05	DR: TOM	TITLE: 1*2 RJ45 Connector With 1000 Base-TX Integrated Magnetic TAB UP
ANGLES	$\pm 1^\circ$	UNIT: mm	PART NO.: LPJG29837AINL
	SCALE: 2/1	SHEET: 1/2	REV: A
			DWG: LP12090702

Mechanical:

REV.	ECN NO.	DESCRIPTION	DATE	APPD
A	REL		2012/09/07	



SUGGESTED PCB LAYOUT (TOP VIEW)



NOTES:

1. Designed to support application, such as SOHO (ADSL modems), LAN-on-Motherboard (LOM), hub and Switches.
2. Meets IEEE 802.3 specification
3. Connector Materials:
 Housing: Thermoplastic UL94V-0
 Contact/Shield: Copper alloy
 Shield plating: Nickel
 Contact plating: Gold 6 micro-inches min. In contact area.
4. Wave solder tip temperature: 265°C Max, 5 Sec Max.
5. UL Certification: File Number E484635.

X:X	±0.30	APPD:	LINK-PP INT'L TECHNOLOGY CO., LIMITED
X:XX	±0.25	CHKD:	
X:XXX	±0.05	DR: TOM	TITLE: 1*2 RJ45 Connector With 1000 Base-TX Integrated Magnetic TAB UP
ANGLES	±1°	UNIT: mm	PART NO.: LPJG29837AINL
	SCALE: 2/1	SHEET: 2/2	REV: A DWG: LP12090702