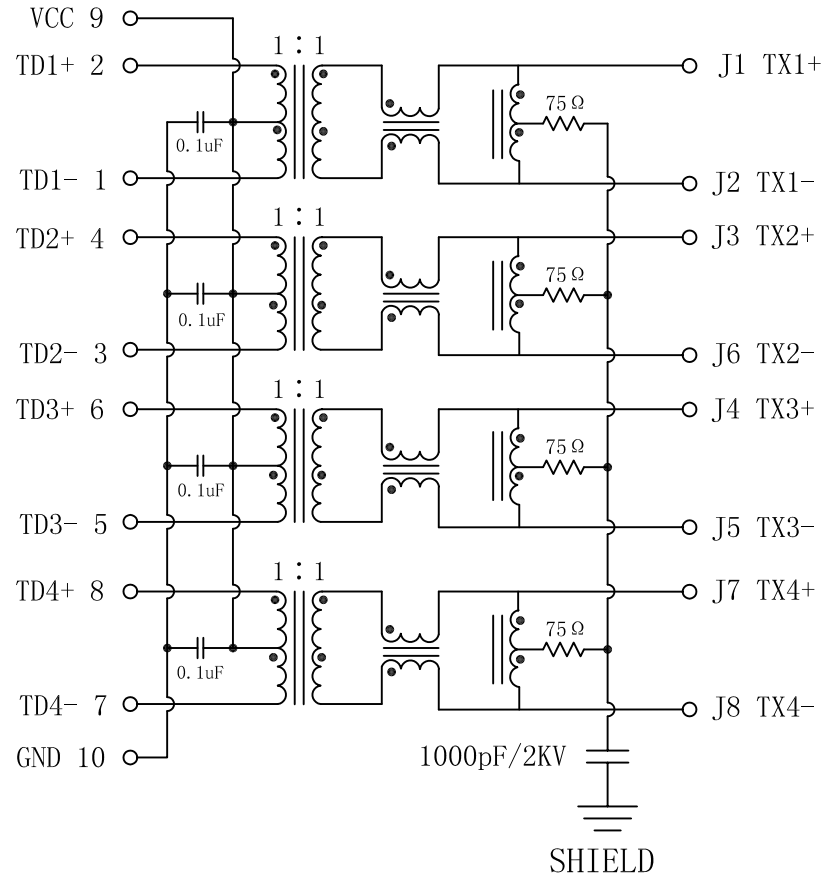


Schematic:

REV.	ECN NO.	DESCRIPTION	DATE	APPD
A	REL		2011/06/13	

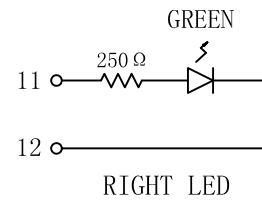
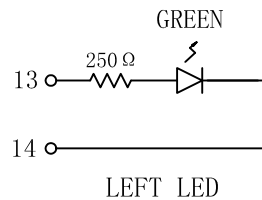
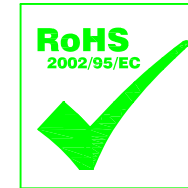
PCB CONNECTIONS



RJ45 CONNECTOR

Electrical Specifications @25°C

- OCL (100KHz, 0.1V, 8mA DC BIAS):
350uH MIN
- Insertion Loss:
0.5~100MHz: -1.1dB MAX
- Return Loss:
0.5~40MHz: -18dB MIN
40.1~100MHz: -[12-20LOG(f/80)] dB MIN.
- Crosstalk:
0.5~40MHz: -35dB MIN
40.1~100MHz: -[33-20LOG(f/50)] dB MIN.
- Common Mode Rejection Ratio:
0.5~100MHz: -30dB MIN
- Hipot Test: 1500Vrms MIN
- Operating Temperature: 0°C TO +70°C.



X:X	±0.20	APPD:	<i>LINK-PP INT'L TECHNOLOGY CO., LIMITED</i>	
X:XX	±0.10	CHKD:		
X:XXX	±0.05	DR: TOM	TITLE: RJ45 Connector With 1000 Base-TX Integrated Magnetic TAB UP	
ANGLES	±1°	UNIT: mm	PART NO.: LPJG28831AZNL	
	SCALE: 2/1	SHEET: 1/2	REV: A	DWG: LP11061302

