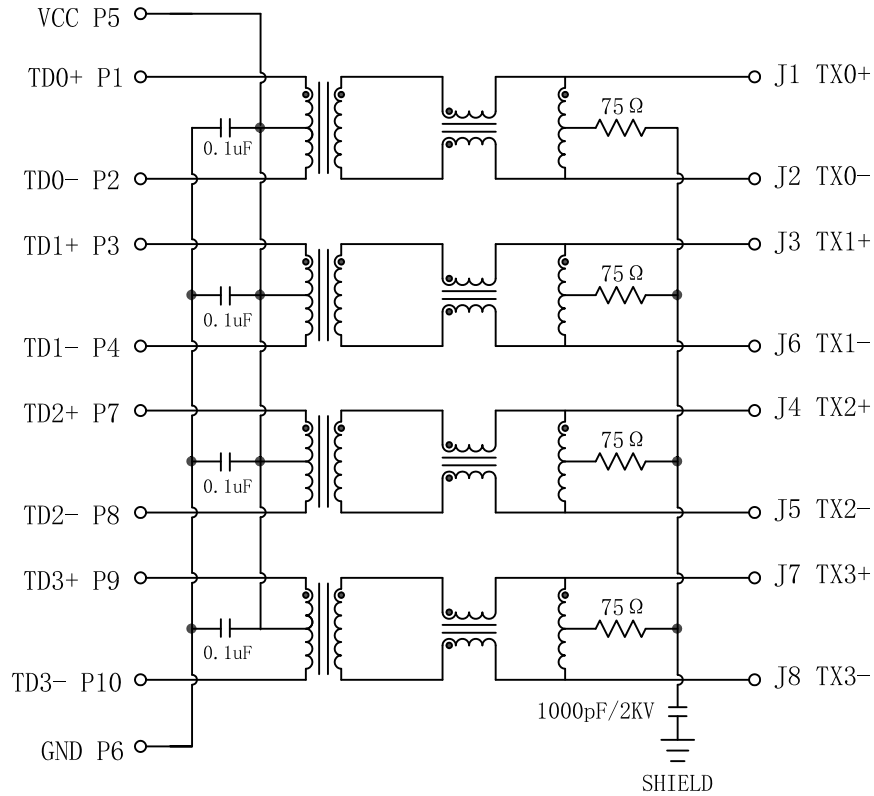


Schematic:

REV.	ECN NO.	DESCRIPTION	DATE	APPD
A	REL		2013-05-27	

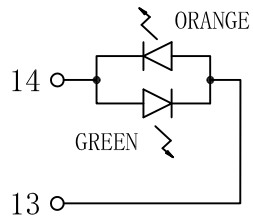
PCB CONNECTIONS



RJ45 CONNECTOR

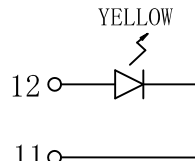
Electrical Specifications @25°C

- Turns Ratios:
Pri : Sec = 1CT : 1
- OCL: 350uH MIN
@100KHz, 0.1V, 8mA DC Bias.
- Insertion Loss:
1~100MHz: -1.0dB MAX
- Return Loss:
1~30MHz: -18dB MIN. load 100 Ω
30~60MHz: -16dB MIN. load 100 Ω
60~80MHz: -12dB MIN. load 100 Ω
60~100MHz: -10dB MIN. load 100 Ω
- Cross Talk:
1~100MHz: -30dB MIN
- Common Mode Rejection:
1~100MHz: -30dB MIN
- HiPot Test: 1500Vrms MIN
- Operating Temperature: 0°C TO +70°C.



LEFT LED

LED POLARITY		COLOR
PIN 13	PIN 14	
+	-	ORANGE
-	+	GREEN



RIGHT LED

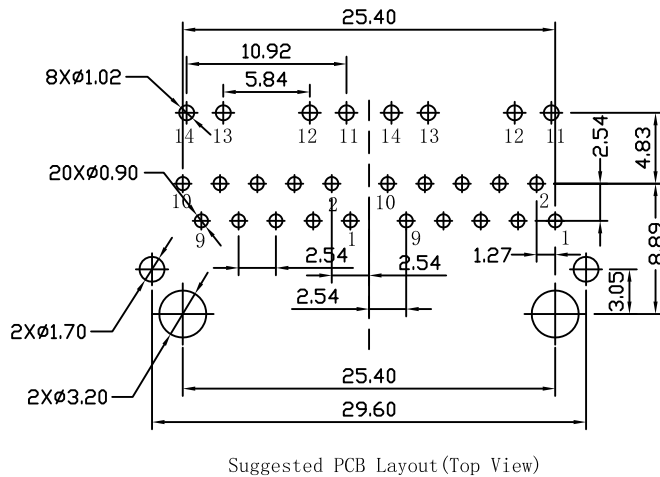
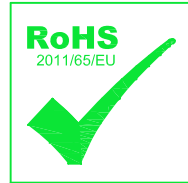
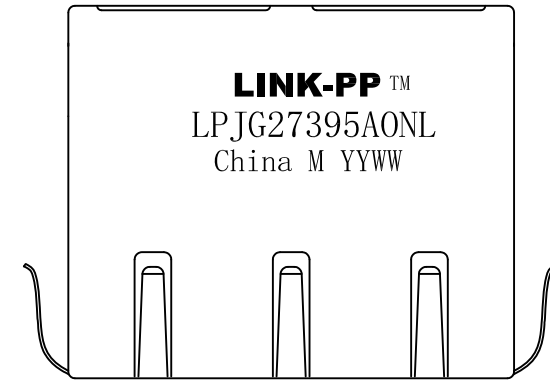
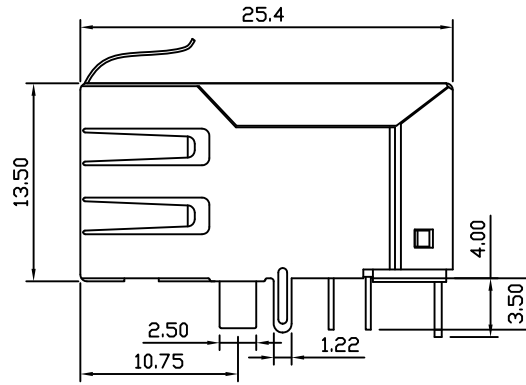
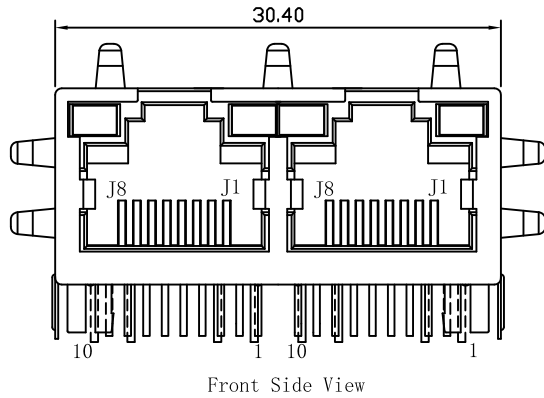
LED POLARITY		COLOR
PIN 11	PIN 12	
-	+	YELLOW

Emitting Color	λ p(nm)	VF@IF=20mA	IR @VR=5V
ORANGE / GREEN	610 / 565	1.8~2.6V	10 μ A max
YELLOW	585	1.8~2.6V	10 μ A max

X:X ±0.30	APPD:	LINK-PP INT'L TECHNOLOGY CO., LIMITED		
X:XX ±0.25	CHKD:			
X:XXX ±0.05	DR: TOM	TITLE: 1*2 RJ45 Connector with 1000 Base-T Integrated Magnetics		
ANGLES ±1°	UNIT: mm	PART NO.: LPJG27395A0NL		
	SCALE: 2/1	SHEET: 1/2	REV: A	DWG NO.: LP13052710

Mechanical:

REV.	ECN NO.	DESCRIPTION	DATE	APPD
A	REL		2013-05-27	



NOTES:

1. Designed to support application, such as SOHO (ADSL modems), LAN-on-Motherboard (LOM), hub and Switches.
2. Meets IEEE 802.3 specification
3. Connector Materials:
 Housing: Thermoplastic UL94V-0
 Contact/Shield: Copper alloy
 Shield plating: Nickel
 Contact plating: Gold 6 micro-inches min. In contact area.
4. Wave solder tip temperature: 265°C Max, 5 Sec Max.
5. UL Certification: File Number E484635.

X:X	±0.30	APPD:	LINK-PP INT'L TECHNOLOGY CO., LIMITED	
X:XX	±0.25	CHKD:	TITLE: 1*2 RJ45 Connector with 1000 Base-T Integrated Magnetics	
X:XXX	±0.05	DR: TOM	PART NO.: LPJG27395AONL	
ANGLES	±1°	UNIT: mm		
	SCALE: 2/1	SHEET: 2/2	REV: A	DWG NO.: LP13052710