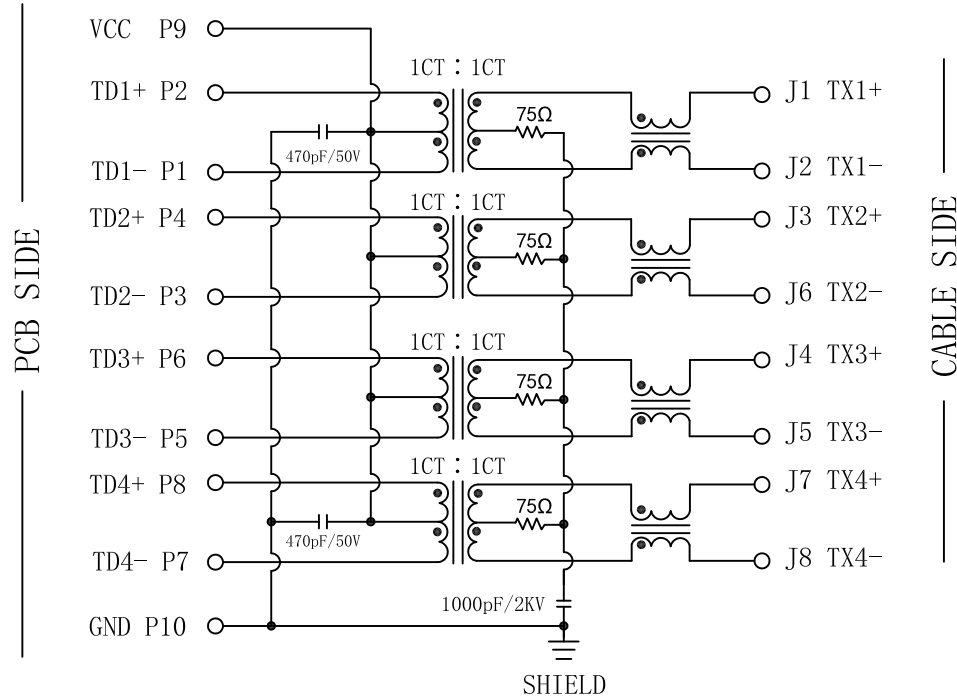


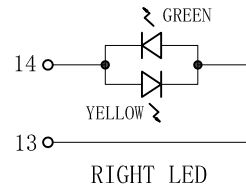
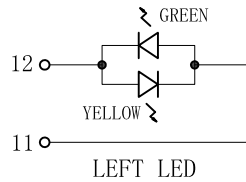
# Schematic:

REV.	ECN NO.	DESCRIPTION	DATE	APPD
A	REL		2014/12/17	



## Electrical Specifications @25°C

- OCL (@100KHz, 100mVrms, 8mA DC Bias):  
350uH Min
- Turns Ratio: 1CT : 1CT ±2%
- Insertion Loss:  
0.5~100MHz: -1.1dB Max
- Return Loss (dB Min):  
0.5~40MHz: -18  
40.1~100MHz: -12-20Log(f/80MHz)
- Crosstalk (dB Min):  
0.5~40MHz: -35  
40.1~100MHz: -33-20Log(f/50MHz)
- Common Mode Rejection Ratio (CMRR):  
0.5~100MHz: -30dB Min
- Hi-Pot: 1500Vrms
- Operating Temperature: 0°C~70°C.



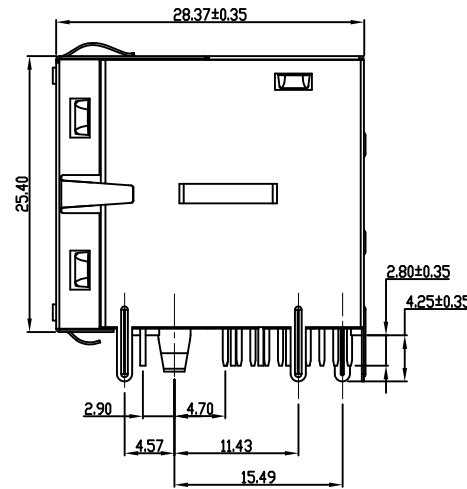
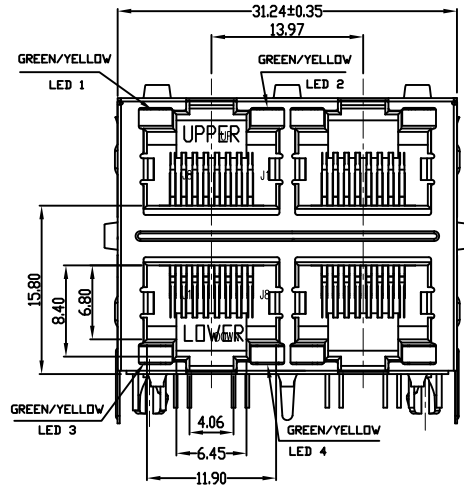
Emitting Color	λ p(nm)	VF@IF=20mA	IR @VR=5V
GREEN	565	1.8~2.6V	20 μ A max
YELLOW	585	1.8~2.6V	20 μ A max



X:X	±0.30	APPD:	LINK-PP INT'L TECHNOLOGY CO., LIMITED
X:XX	±0.25	CHKD:	
X:XXX	±0.05	DR: TOM	TITLE: RJ45 .Transformer. 1000 Base-T W/LED. 2×2 Port
ANGLES	±1°	UNIT: mm	PART NO. : LPJG27093A4NL
	SCALE: 2/1	SHEET: 1/2	REV: A
			DWG NO. : LP14121712

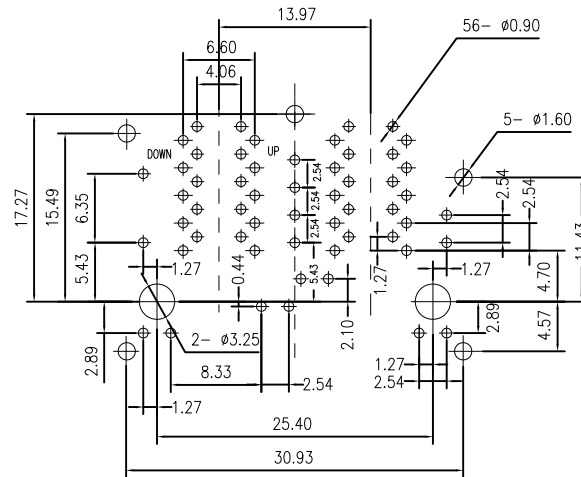
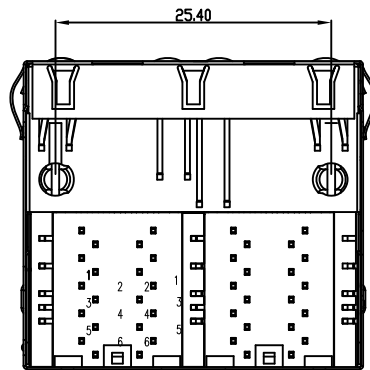
# Mechanical :

REV.	ECN NO.	DESCRIPTION	DATE	APPD
A	REL		2014/12/17	

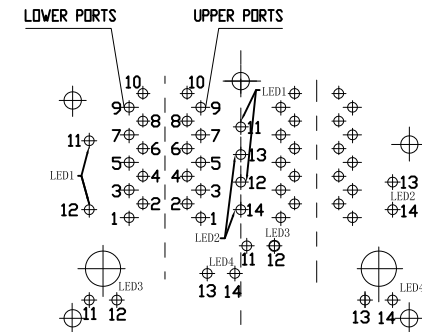


## NOTES:

1. Designed to support application, such as SOHO (ADSL modems), LAN-on-Motherboard (LOM), hub and Switches.
2. Meets IEEE 802.3 specification
3. Connector Materials:  
Housing: Thermoplastic UL94V-0  
Contact/Shield: Copper alloy  
Shield plating: Nickel  
Contact plating: Gold 6 micro-inches min. In contact area.
4. Wave solder tip temperature: 265°C Max, 5 Sec Max.



SUGGESTED PCB LAYOUT (TOP VIEW)



X:X	±0.30	APPD:	LINK-PP INT'L TECHNOLOGY CO., LIMITED
X:XX	±0.25	CHKD:	
X:XXX	±0.05	DR: TOM	TITLE: RJ45 .Transformer. 1000 Base-T W/LED. 2×2 Port
ANGLES	±1°	UNIT: mm	PART NO. : LPJG27093A4NL
	SCALE: 2/1	SHEET: 2/2	REV: A DWG NO. : LP14121712