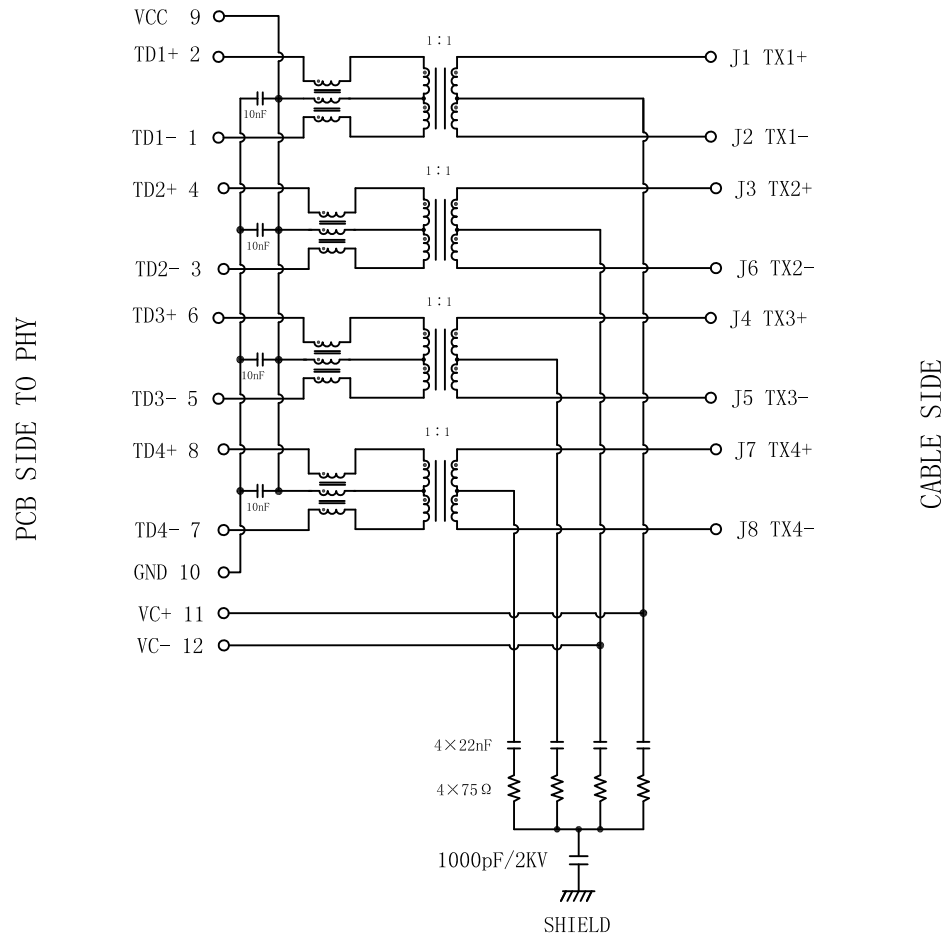


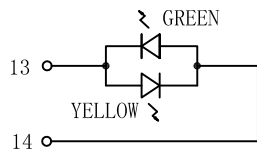
Schematic:

REV.	ECN NO.	DESCRIPTION	DATE	APPD
A	REL		2015-02-02	



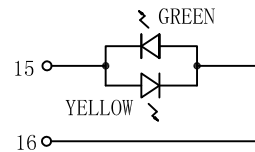
ELECTRICAL SPECIFICATIONS @25°C

- Turn Ratio ($\pm 3\%$):
1CT : 1CT
- Inductance OCL:
350uH MIN @ 100KHz 0.1V 8mA DC Bias
- Insertion Loss:
-1.0dB MAX @ 1-100MHz
- Return Loss:
-18dB MIN @ 1-30MHz
-15dB MIN @ 30-60MHz
-12dB MIN @ 60-100MHz
- Cross talk:
-40dB MIN @ 1-30MHz
-35dB MIN @ 30-60MHz
-30dB MIN @ 60-100MHz
- Common Mode Rejection:
-30dB MIN @ 1-100MHz
- Balanced DC Line Current:
30W 720mA Max @48V DC
- Hipot Test: 1500Vrms
- Operating Temperature Range: -40°C TO +85°C



LEFT LED

LED POLARITY		COLOR
PIN 13	PIN 14	
+	-	YELLOW
-	+	GREEN



RIGHT LED

LED POLARITY		COLOR
PIN 15	PIN 16	
+	-	YELLOW
-	+	GREEN



Emitting Color	λ p(nm)	VF@IF=20mA	IR @VR=5V
Green	565	1.8~2.6V	10 μ A max
Yellow	585	1.8~2.6V	10 μ A max

X:X	± 0.30	APPD:	LINK-PP INT'L TECHNOLOGY Co., LIMITED
X:XX	± 0.25	CHKD:	
X:XXX	± 0.05	DR: TOM	TITLE: 2*2 RJ45 Connector with 1000 Base-T Integrated Magnetics For PoE+ Application
ANGLES	$\pm 1^\circ$	UNIT: mm	PART NO.: LPJG27043A47NL
	SCALE: 2/1	SHEET: 1/2	REV: A
			DWG NO.: LP15020209

