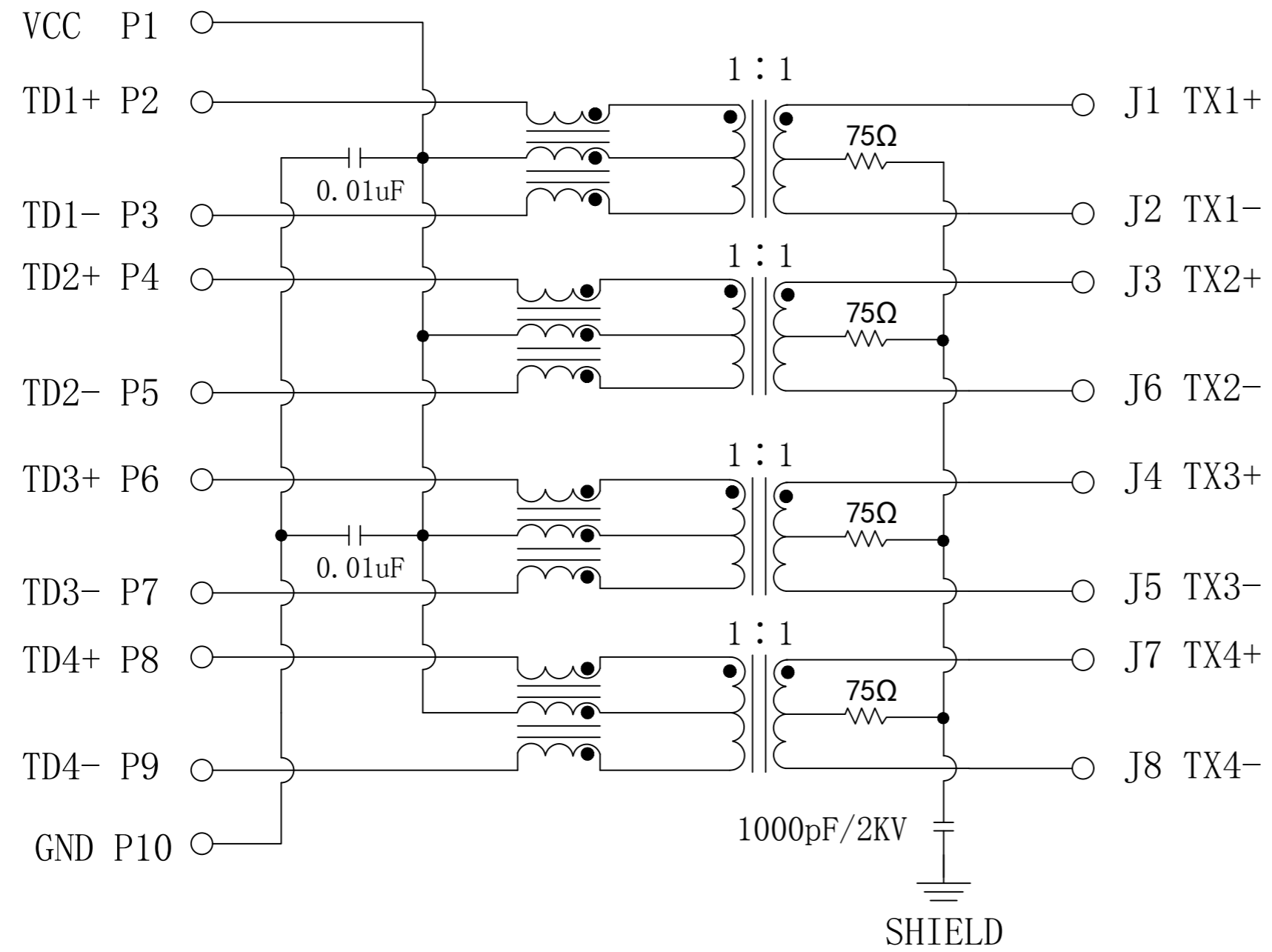


Schematic:

REV.	ECN NO.	DESCRIPTION	DATE	APPD
A	REL		2011/06/29	

PC BOARD CONNECTIONS

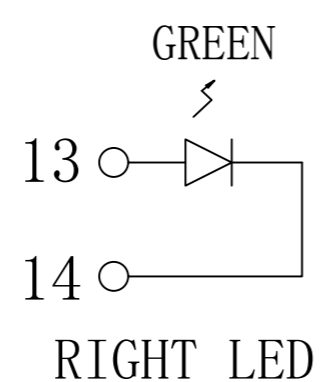
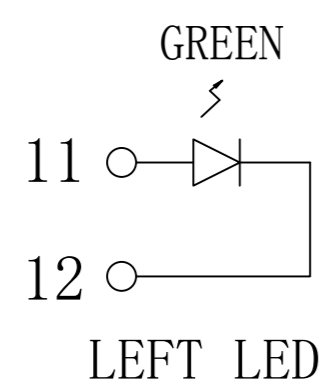


RJ45 CONNECTOR

Electrical Specifications @25°C

1. Impedance: 100 ohms
2. OCL: 350uH Min  
@100KHz, 0.1V, 8mADC BIAS
3. Turns Ratio: 1 : 1 ±3%
4. Insertion Loss:  
1-100MHz:-1.1dB Max
5. Return Loss(dB Min):  
1-40MHz:-18      60MHz:-14  
80MHz:-12      100MHz:-10
6. Crosstalk:  
1-100MHz:-35dB Typ
7. Common Mode Rejection(dB Typ):  
0.1-30MHz:-38      30-60MHz:-35  
60-100MHz:-30
8. Isolation PHY SIDE To Line SIDE : 1500Vrms
9. Operating Temperature: -40°C ~ +85°C.

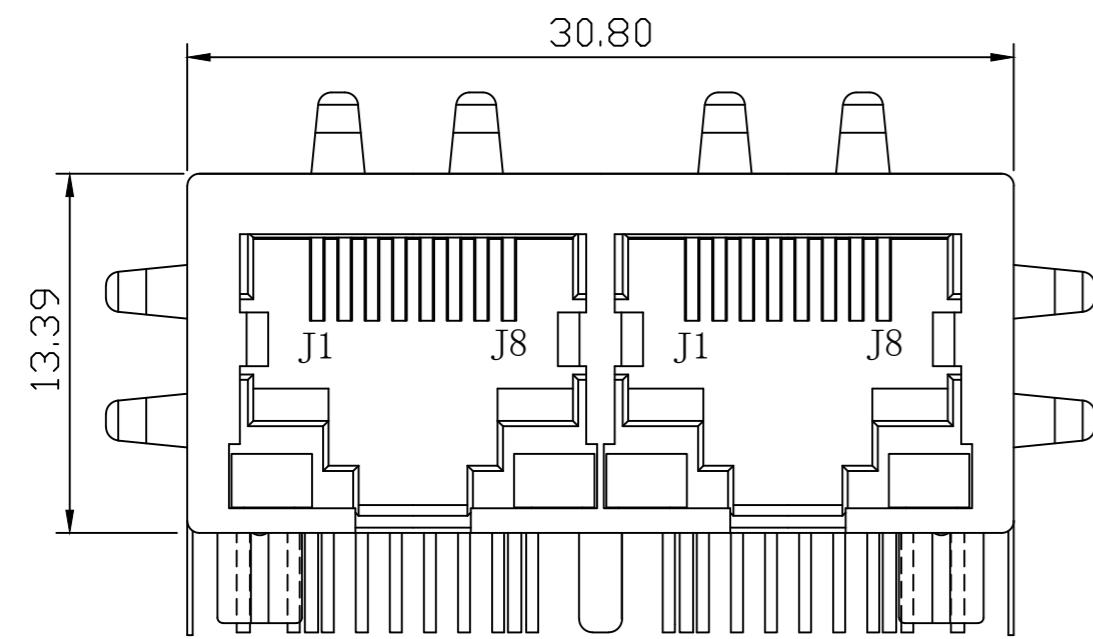
Emitting Color	$\lambda_p$ (nm)	V <sub>F</sub> @I <sub>F</sub> =20mA	I <sub>R</sub> @V <sub>R</sub> =5V
GREEN	565	1.8~2.6V	10 μA max



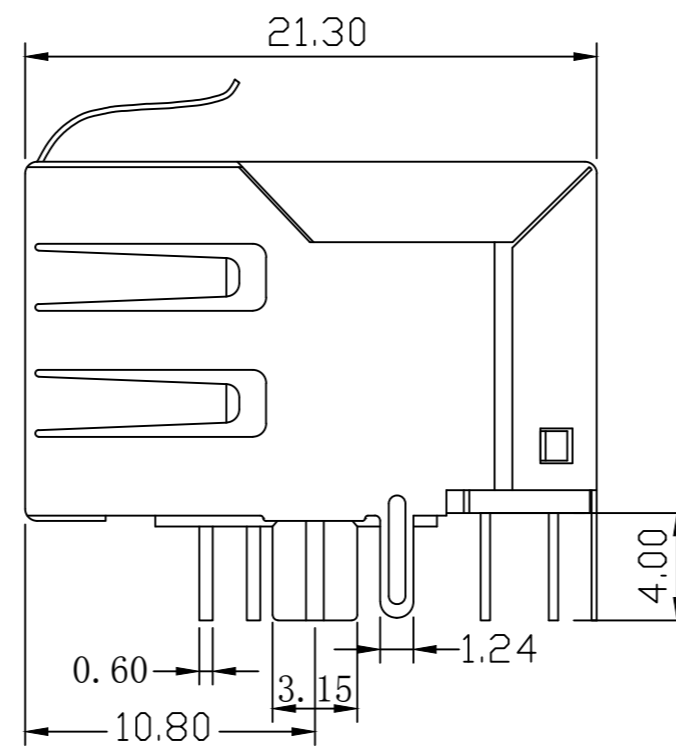
X:X ±0.30	APPD: TOM	LINK-PP INT'L TECHNOLOGY CO., LIMITED	
X:XX ±0.25	CHKD: JAMES	TITLE: RJ45 Connector with 1000 BASE-TX Integrated Magnetic	
X:XXX ±0.05	DR: LEO	PART NO.: LPJG26973-8AFNL	
ANGLES ±1°	UNIT: mm	DWG NO.: LP11062916	
	SCALE: 2/1	SHEET: 1/2	REV: A

Mechanical:

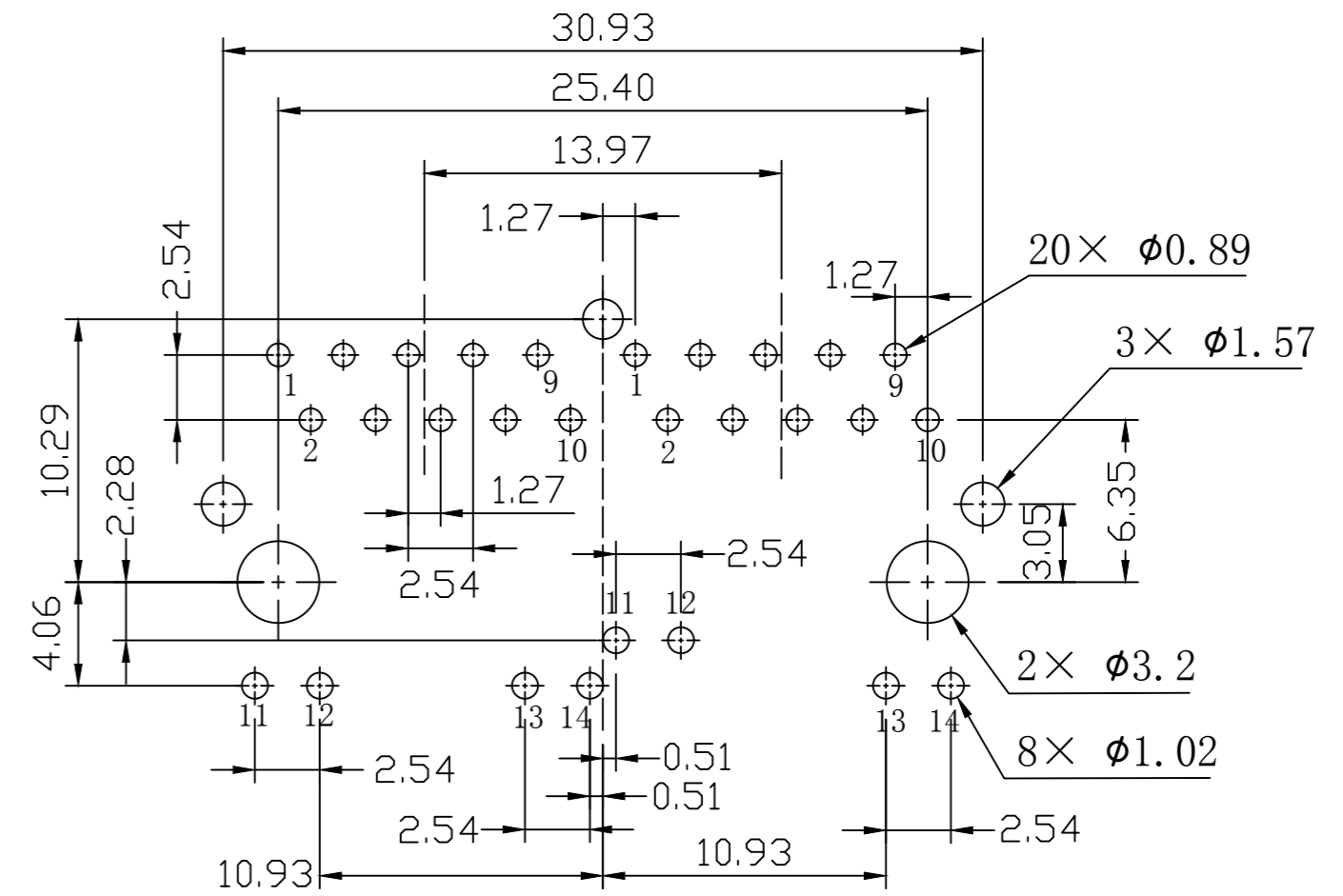
REV.	ECN NO.	DESCRIPTION	DATE	APPD
A	REL		2011/06/29	



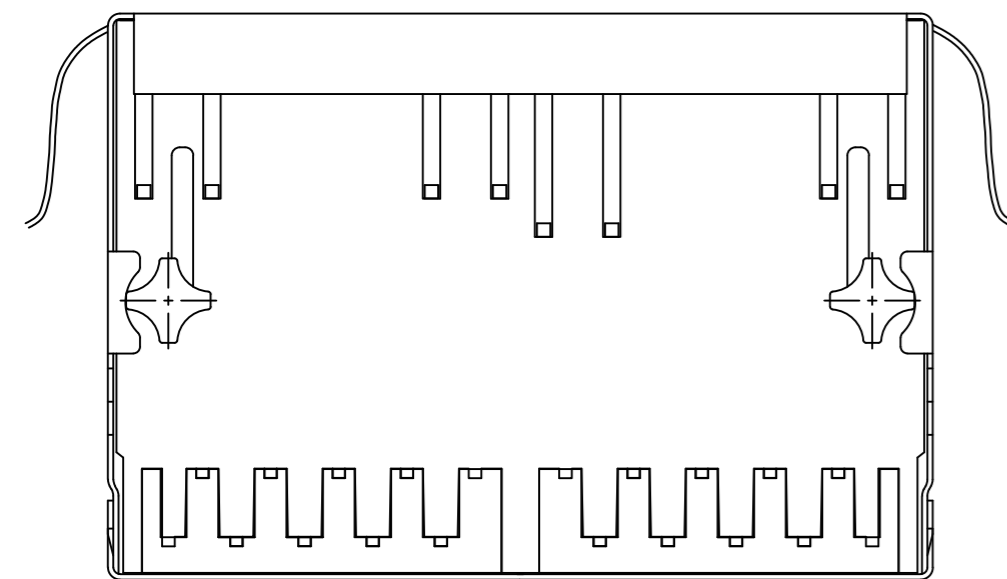
Front Side View



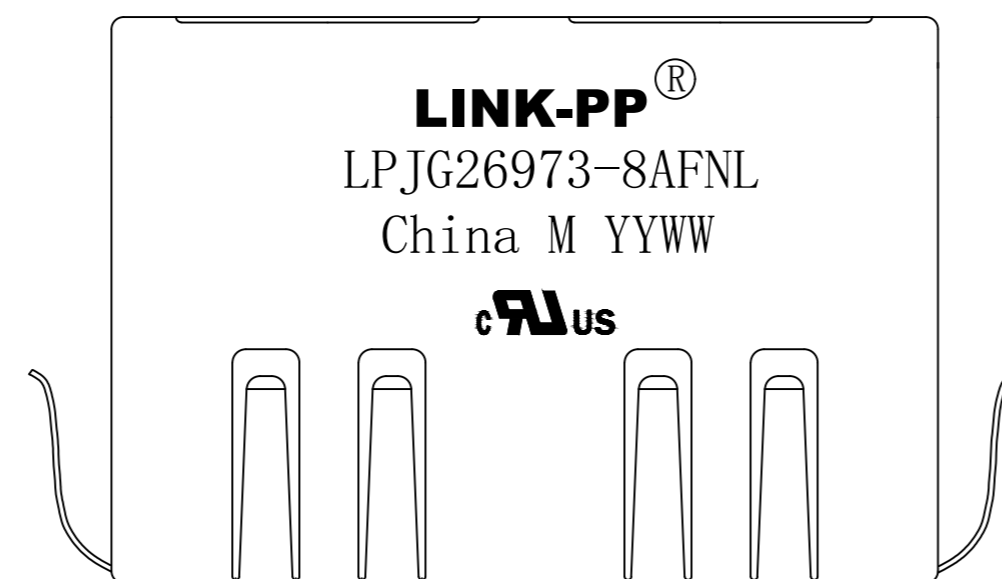
Left Side View



Suggested PCB Layout (Top View)



Bottom View



Top Side View

NOTES:

1. Designed to support application, such as SOHO (ADSL modems), LAN-on-Motherboard (LOM), hub and Switches.
2. Meets IEEE802.3 specification.
3. Connector Materials:  
 Housing: Thermoplastic PBT+30%G.F UL94V-0  
 Contact: Phosphor Bronze C5210R-EH Thickness=0.35mm  
 Pins: Brass C2680R-H Thickness=0.35mm  
 Shield: SUS 304-1/2H Thickness=0.2mm  
 Contact plating: Gold 30 micro-inches min. In contact area.
4. Wave solder tip temperature: 250°C, 5 Sec.
5. UL Certification: File Number E484635.



X:X ±0.30	APPD: TOM	LINK-PP INT'L TECHNOLOGY CO., LIMITED
X:XX ±0.25	CHKD: JAMES	
X:XXX ±0.05	DR: LEO	TITLE: RJ45 Connector with 1000 BASE-TX Integrated Magnetic
ANGLES ±1°	UNIT: mm	PART NO.: LPJG26973-8AFNL
	SCALE: 2/1	SHEET: 2/2
	REV: A	DWG NO.: LP11062916