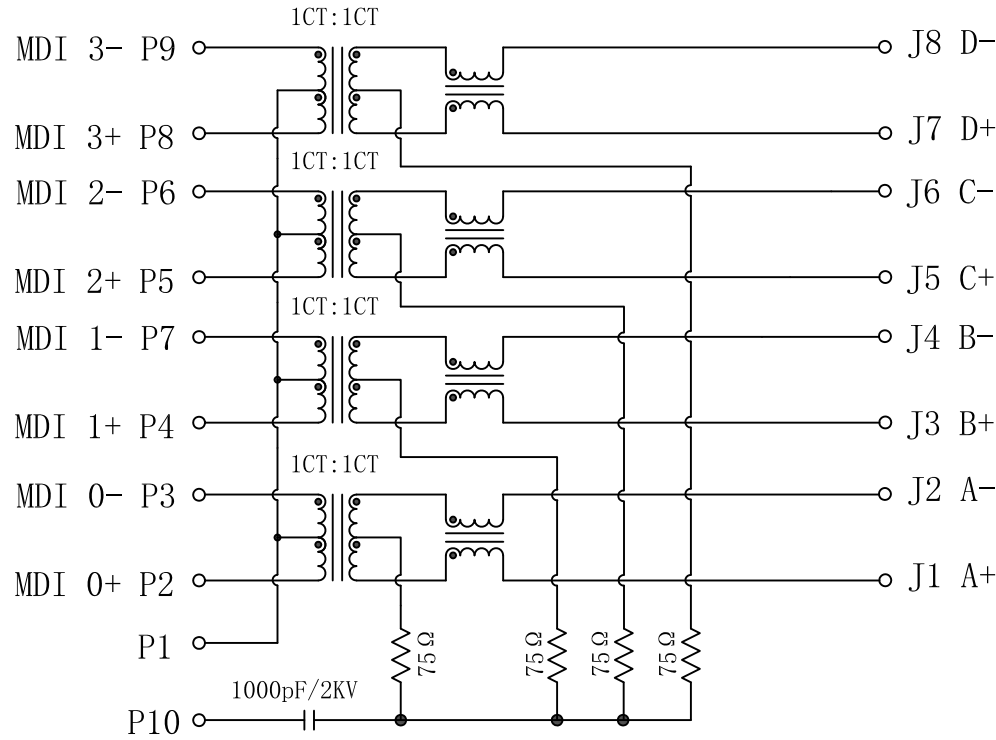


Schematic:

REV.	ECN NO.	DESCRIPTION	DATE	APPD
A	REL		2010/05/11	

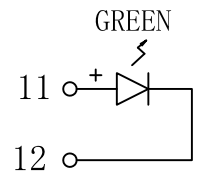
Chip Side



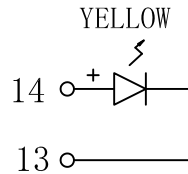
UTP Side

ELECTRICAL SPECIFICATIONS @25°C

- Turn Ratio($\pm 3\%$):
Pri:Sec = 1CT:1CT
- Inductance OCL: 350uH MIN
@ 100KHz/100mV, 8mA DC Bias
- Insertion Loss:
-1.1dB MAX @ 1-100MHz
- Return Loss(@100 Ω):
-16dB MIN @ 1-30MHz
-13.5dB MIN @ 40-60MHz
-10dB MIN @ 80-100MHz
- Cross talk:
-35dB MIN @ 1-10MHz
-26dB MIN @ 15-60MHz
-24dB MIN @ 60-100MHz
- Common Mode Rejection:
-35dB MIN @ 1-60MHz
-30dB MIN @ 60-100MHz
- HIPOT TEST: 1500Vrms MIN
- Operating Temperature Range: -40°C TO +85°C



LEFT LED



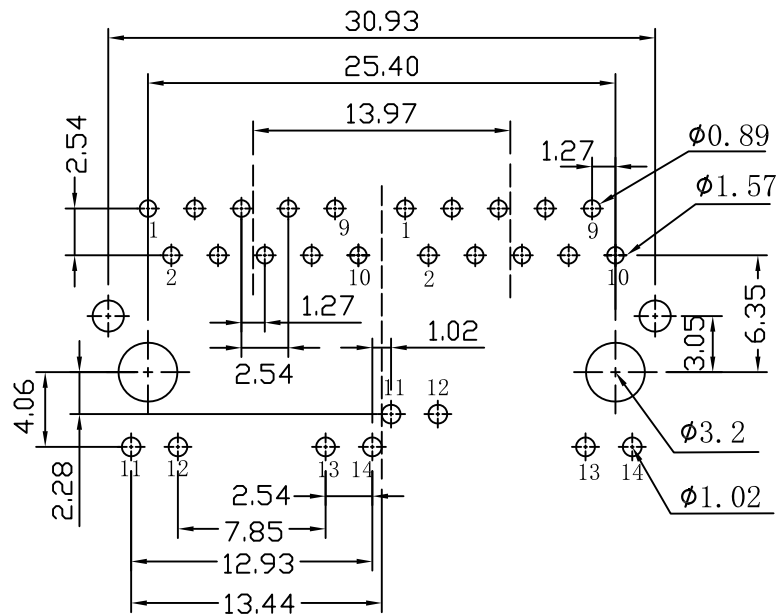
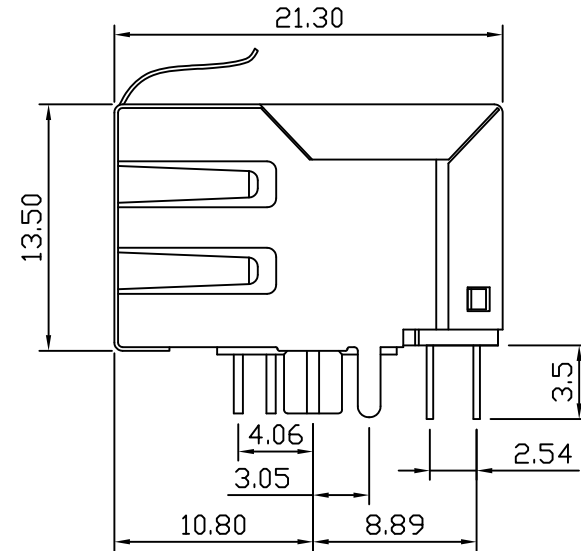
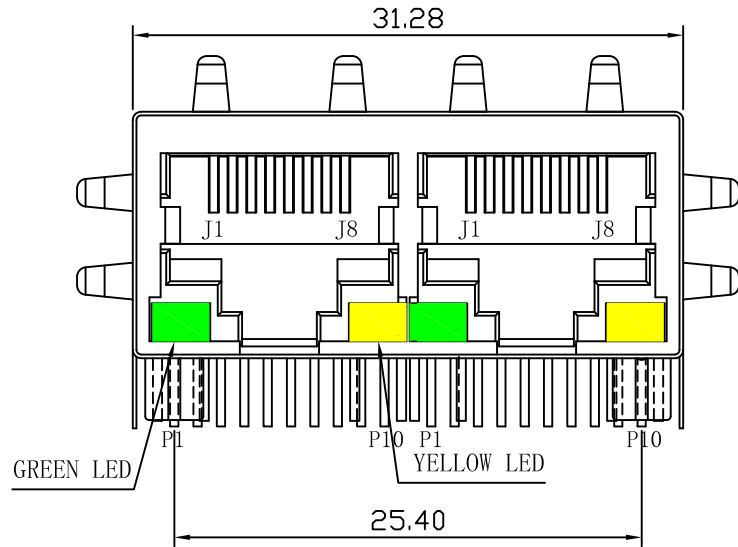
RIGHT LED

Emitting Color	λ p(nm)	VF@IF=20mA	IR @VR=5V
GREEN	565	1.8~2.6V	10 μ A max
YELLOW	585	1.8~2.6V	10 μ A max

X:X	± 0.30	APPD:	LINK-PP INT'L TECHNOLOGY CO., LIMITED	
X:XX	± 0.25	CHKD:	TITLE: RJ45 Connector with 1000 BASE-TX Integrated Magnetic	
X:XXX	± 0.05	DR:	PART NO.: LPJG26962ABNL	
ANGLES	$\pm 1^\circ$	UNIT: mm	DWG NO.: LP10051120	
	SCALE: 2/1	SHEET: 1/2	REV: A	

Mechanical:

REV.	ECN NO.	DESCRIPTION	DATE	APPD
A	REL		2010/05/11	



SUGGESTED PCB LAYOUT (TOP VIEW)

NOTES:

1. Designed to support application, such as SOHO (ADSL modems), LAN-on-Motherboard (LOM), hub and Switches.
2. Meets IEEE 802.3 specification
3. Connector Materials:
 Housing: Thermoplastic UL94V-0
 Contact/Shield: Copper alloy
 Shield plating: Nickel
 Contact plating: Gold 6 micro-inches min. In contact area.
4. Wave solder tip temperature: 265°C Max, 5 Sec Max.
5. UL Certification: File Number E484635.



X:X	±0.30	APPD:	LINK-PP INT'L TECHNOLOGY CO., LIMITED	
X:XX	±0.25	CHKD:	TITLE: RJ45 Connector with 1000 BASE-TX Integrated Magnetic	
X:XXX	±0.05	DR: TOM	PART NO.: LPJG26962ABNL	
ANGLES	±1°	UNIT: mm	DWG NO.: LP10051120	
	SCALE: 2/1	SHEET: 2/2	REV: A	