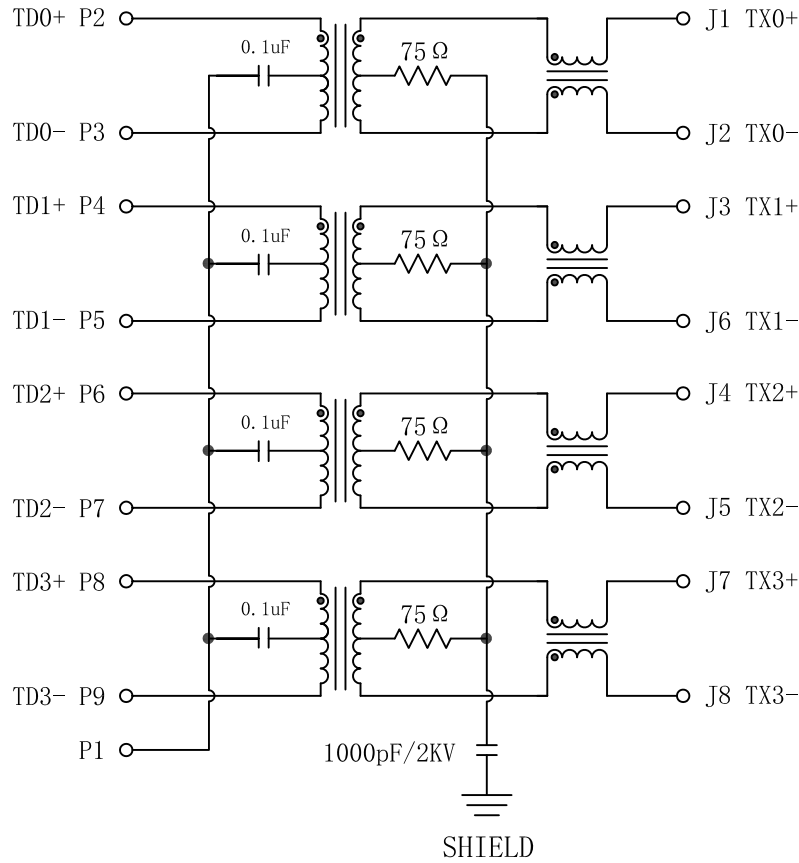


# Schematic:

REV.	ECN NO.	DESCRIPTION	DATE	APPD
A	REL		2019-02-18	

PC BOARD CONNECTIONS

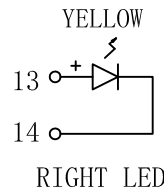
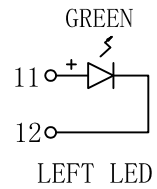


RJ45 CONNECTOR

## Electrical Specification @25°C

- Turns Ratio ( $\pm 5\%$ ) :  
Pri : Sec = 1CT : 1CT
- OCL: 350uH Min  
@100KHz, 0.1V, 8mA DC Bias
- Insertion Loss (dB Max) :  
1~100MHz:-1.0      100~125MHz:-1.2
- Return Loss (dB Min) :  
1~40MHz:-16      40~60MHz:-12  
60~80MHz:-10      80~100MHz:-8
- Crosstalk:  
1~100MHz:-30dB Min
- Common Mode Rejection Attenuation:  
1~100MHz:-30dB Min
- Hipot: 1500Vrms
- Operating Temperature: -40°C ~ +85°C.

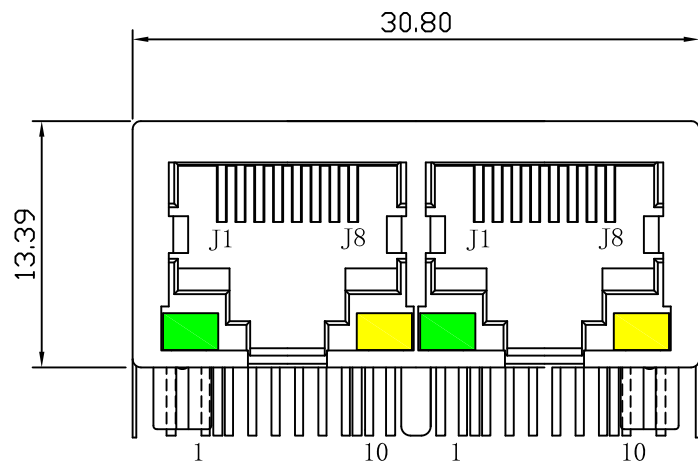
Emitting Color	$\lambda$ p(nm)	V <sub>F</sub> @I <sub>F</sub> =20mA	I <sub>R</sub> @V <sub>R</sub> =5V
GREEN	565	1.8~2.6V	10 $\mu$ A max
YELLOW	585	1.8~2.6V	10 $\mu$ A max



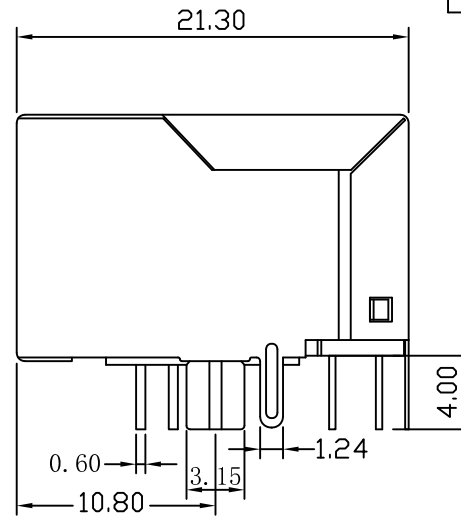
X:X	$\pm 0.30$	APPD:	LINK-PP INT'L TECHNOLOGY CO., LIMITED
X:XX	$\pm 0.25$	CHKD:	
X:XXX	$\pm 0.05$	DR: TOM	
ANGLES	$\pm 1^\circ$	UNIT: mm	TITLE: 1*2 RJ45 Connector with 1000 BASE-T Integrated Magnetics
		PART NO.:	LPJG26945BENL
	SCALE: 2/1	SHEET: 1/2	REV: A
		DWG NO.:	LP19021800

Mechanical:

REV.	ECN NO.	DESCRIPTION	DATE	APPD
A	REL		2019-02-18	



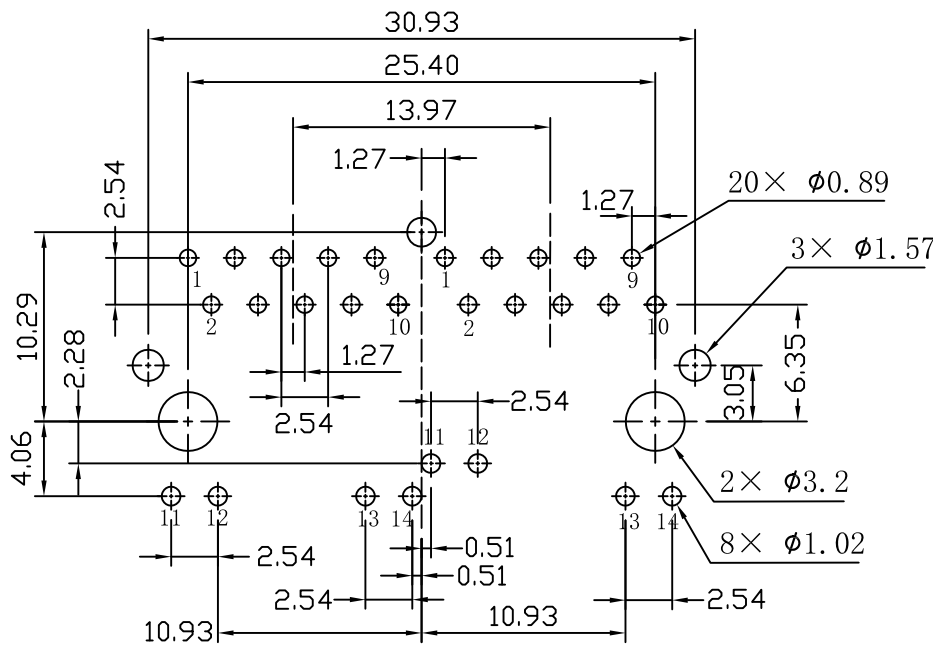
Front Side View



Left Side View



Top Side View



SUGGESTED PCB LAYOUT (TOP VIEW)



NOTES:

1. Designed to support application, such as SOHO (ADSL modems), LAN-on-Motherboard (LOM), hub and Switches.
2. Meets IEEE 802.3 specification
3. Connector Materials:  
 Housing: Thermoplastic PA46+30%G. F UL94V-0  
 Contact: Phosphor Bronze C5210R-EH Thickness=0.35mm  
 Pins: Brass C2680R-H Thickness=0.35mm  
 Shield: SUS 201-1/2H Thickness=0.2mm  
 Contact plating: Gold 6 micro-inches min. In contact area.
4. Wave solder tip temperature: 265°C Max, 5 Sec.
5. UL Certification: File Number E484635.

X:X ±0.30	APPD:	LINK-PP INT'L TECHNOLOGY CO., LIMITED
X:XX ±0.25	CHKD:	
X:XXX ±0.05	DR: TOM	TITLE: 1*2 RJ45 Connector with 1000 BASE-T Integrated Magnetics
ANGLES ±1°	UNIT: mm	PART NO.: LPJG26945BENL
	SCALE: 2/1	SHEET: 2/2
	REV: A	DWG NO.: LP19021800