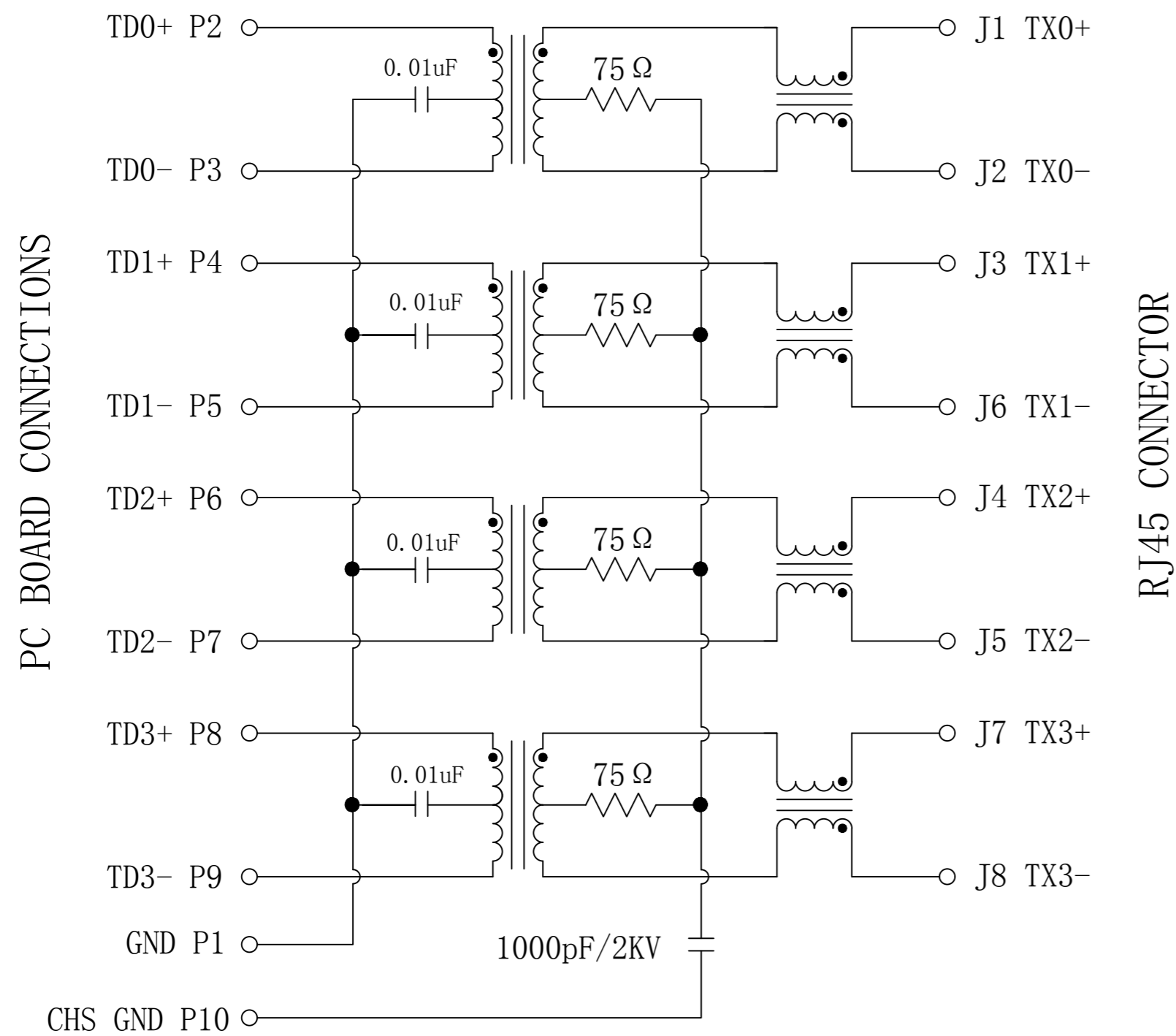


Schematic:

REV.	ECN NO.	DESCRIPTION	DATE	APPD
A	REL		2014/08/04	



ELECTRICAL SPECIFICATIONS @25°C

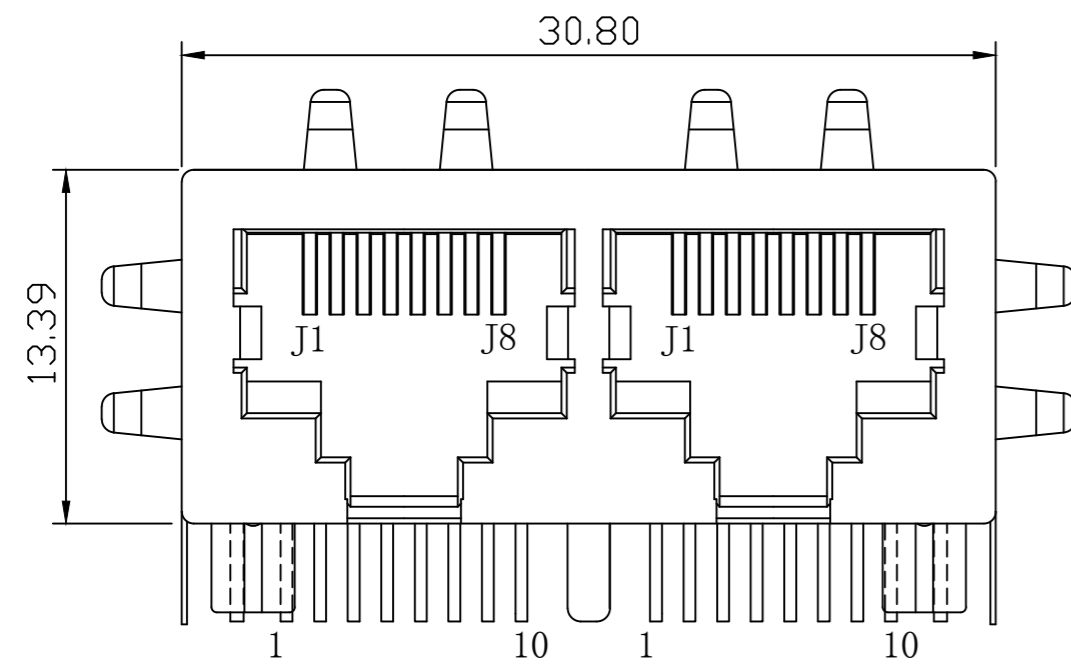
- Turn Ratio( $\pm 2\%$ ):  
1CT:1CT
- Inductance OCL: 350uH Min  
@100KHz, 0.1V, 8mA DC Bias
- Insertion Loss:  
-1.0dB Max @1-65MHz
- Return Loss:  
-18dB Min @1-40MHz  
-14dB Min @60MHz  
-12dB Min @80MHz  
-10dB Min @100MHz
- Cross talk:  
-40dB Min @1-30MHz  
-35dB Min @30-60MHz  
-30dB Min @60-100MHz
- Common Mode Rejection:  
-30dB Min @1-50MHz  
-20dB Min @50-100MHz
- Isolation PHY SIDE To Line SIDE : 1500Vrms
- Operating Temperature Range: -40°C ~ +85°C.



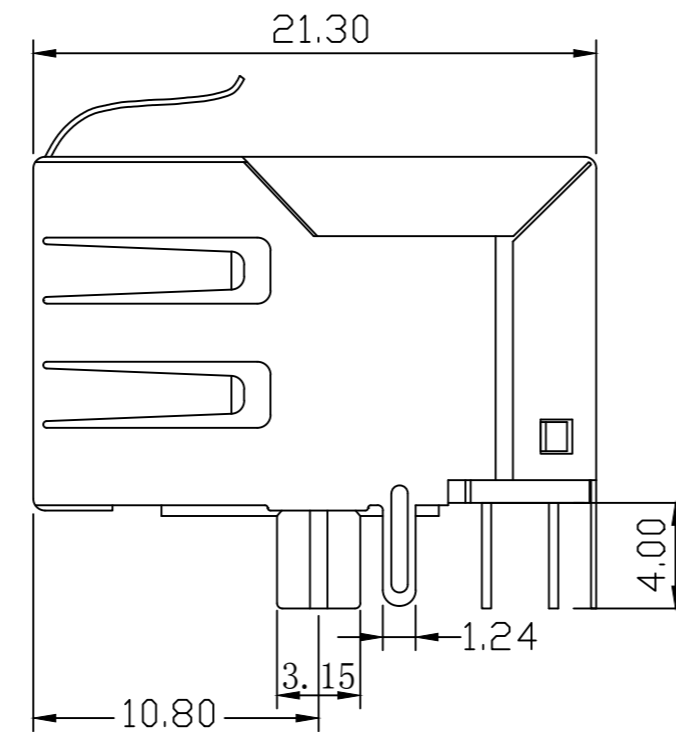
X:X ±0.30	APPD: TOM	LINK-PP INT'L TECHNOLOGY CO., LIMITED		
X:XX ±0.25	CHKD: JAMES			
X:XXX ±0.05	DR: LEO			
ANGLES ±1°	UNIT: mm	TITLE: RJ45 Connector with 1000 Base-TX Integrated Magnetic		
		PART NO.: LPJG26943-8CNL		
	SCALE: 2/1	SHEET: 1/2	REV: A	DWG NO.: LP14080423

Mechanical:

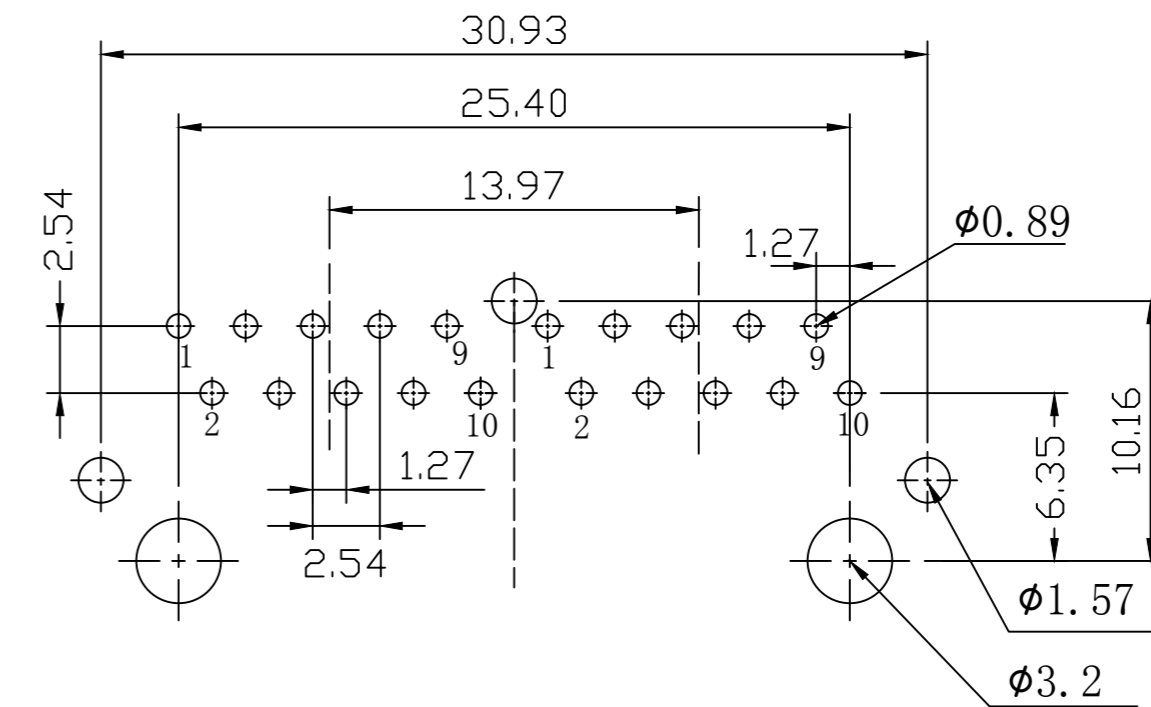
REV.	ECN NO.	DESCRIPTION	DATE	APPD
A	REL		2014/08/04	



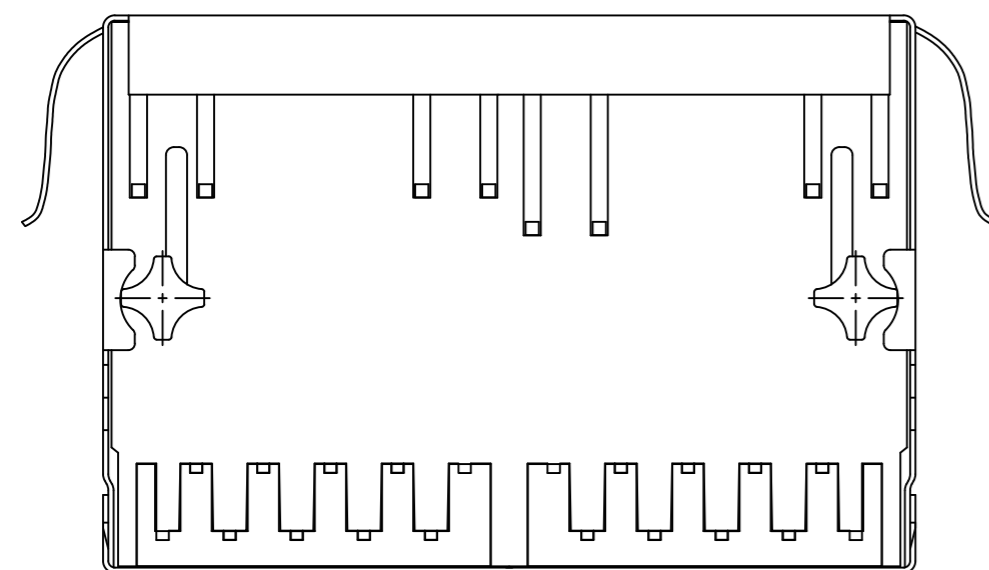
Front Side View



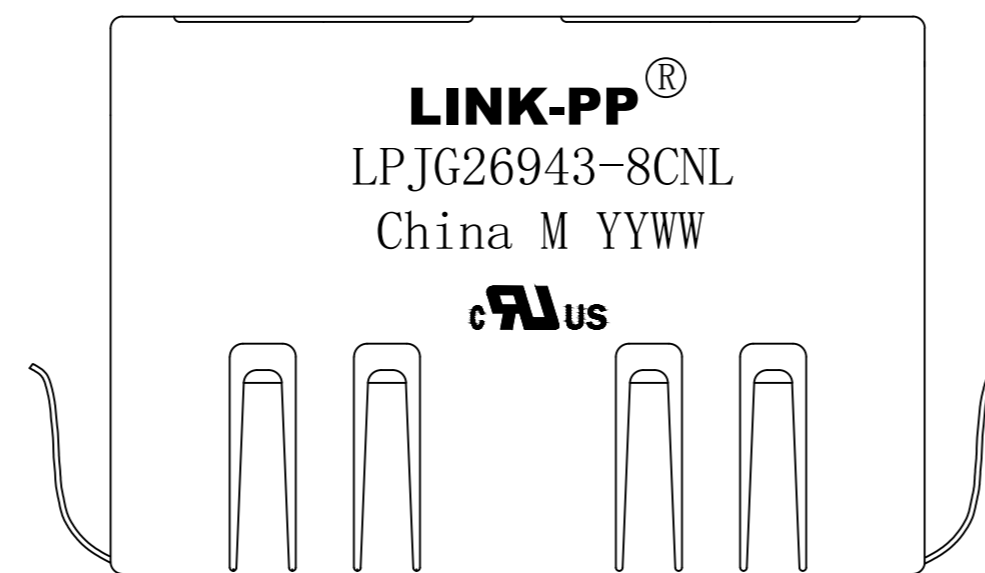
Left Side View



SUGGESTED PCB LAYOUT(TOP VIEW)



Bottom View



Top Side View

NOTES:

1. Designed to support application, such as SOHO (ADSL modems), LAN-on-Motherboard (LOM), hub and Switches.
2. Meets IEEE802.3 specification.
3. Connector Materials:  
 Housing: Thermoplastic PBT+30%G.F UL94V-0  
 Contact: Phosphor Bronze C5210R-EH Thickness=0.35mm  
 Pins: Brass C2680R-H Thickness=0.35mm  
 Shield: SUS 304-1/2H Thickness=0.2mm  
 Contact plating: Gold 30 micro-inches min. In contact area.
4. Wave solder tip temperature: 250°C, 5 Sec.
5. UL Certification: File Number E484635.



X:X ±0.30	APPD: TOM	LINK-PP INT'L TECHNOLOGY CO., LIMITED
X:XX ±0.25	CHKD: JAMES	
X:XXX ±0.05	DR: LEO	TITLE: RJ45 Connector with 1000 Base-TX Integrated Magnetic
ANGLES ±1°	UNIT: mm	PART NO.: LPJG26943-8CNL
	SCALE: 2/1	SHEET: 2/2
	REV: A	DWG NO.: LP14080423