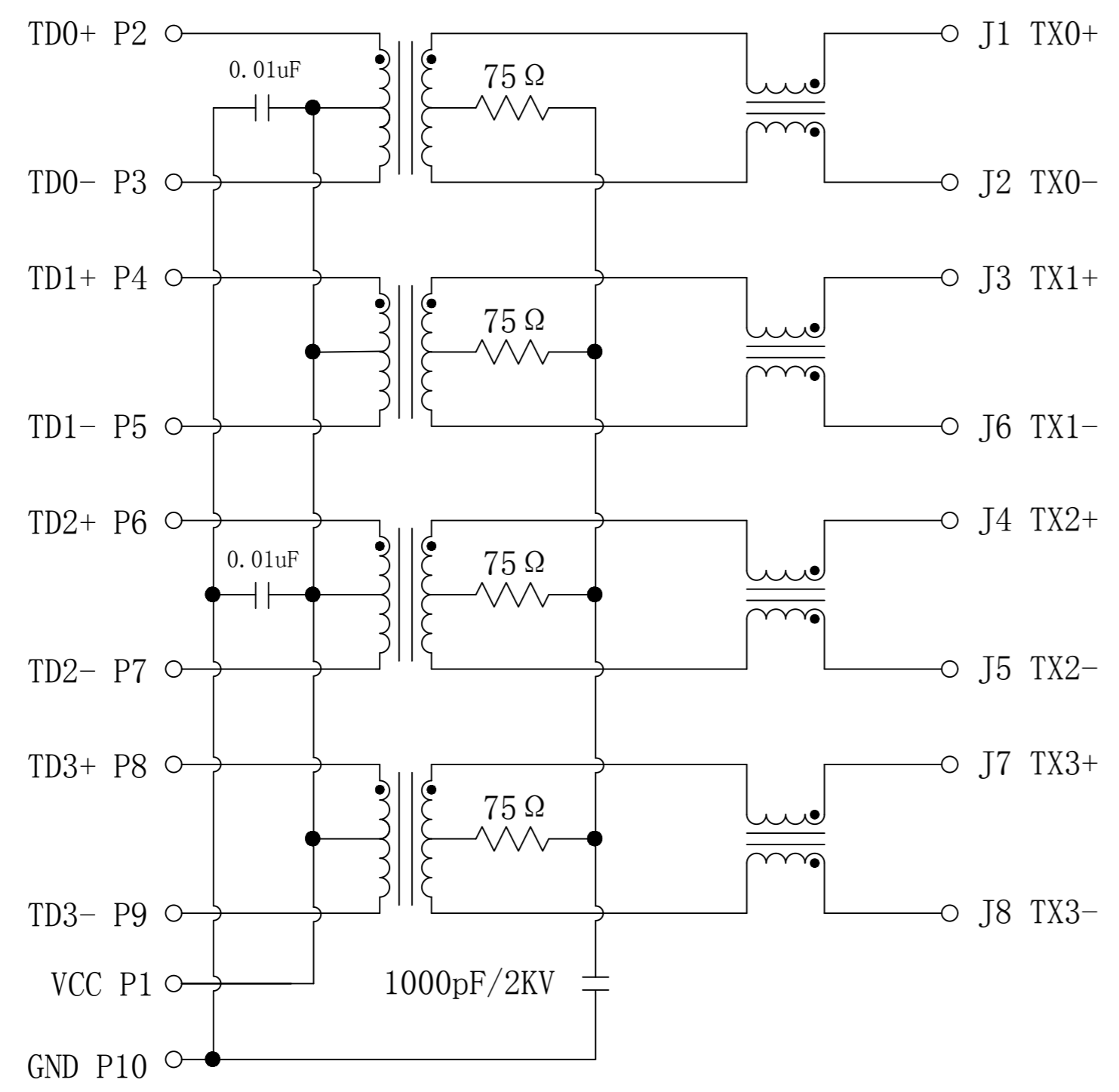


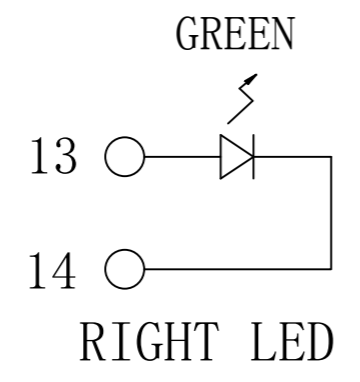
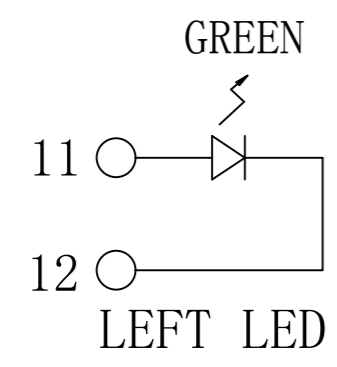
Schematic:

| REV. | ECN NO. | DESCRIPTION | DATE | APPD |
|------|---------|-------------|------------|------|
| A | REL | | 2013/05/08 | |

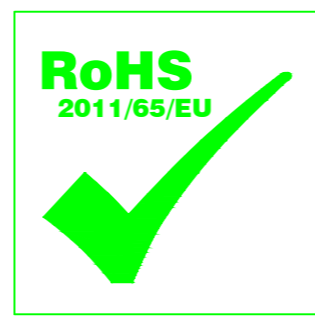
PCB CONNECTIONS



RJ45 CONNECTOR



| Emitting Color | λ_p (nm) | V _F @I _F =20mA | I _R @V _R =5V |
|----------------|------------------|--------------------------------------|------------------------------------|
| GREEN | 565 | 1.8~2.6V | 10 μ A max |
| YELLOW | 585 | 1.8~2.6V | 10 μ A max |



ELECTRICAL SPECIFICATIONS @25°C

- Turn Ratio($\pm 2\%$):
Pri:Sec = 1CT:1CT
- Inductance OCL:
350uH MIN @100KHz/0.1V, 8mA DC Bias
- DCR: 1.2 Ω MAX
- Insertion Loss:
-1.0dB MAX @1~100MHz
- Return Loss:
-18dB MIN @1~40MHz
-14dB MIN @60MHz
-12dB MIN @80MHz
-10dB MIN @100MHz
- Cross talk:
-40dB MIN @1~30MHz
-35dB MIN @30~60MHz
-30dB MIN @60~100MHz
- Common Mode Rejection:
-30dB MIN @1~50MHz
-20dB MIN @50~100MHz
- Isolation PHY SIDE To Line SIDE : 1500Vrms
- Operating Temperature: -40°C ~ +85°C.

| | | | | |
|----------------------|-------------|---|--------|---------------------|
| X:X ± 0.30 | APPD: TOM | LINK-PP INT'L TECHNOLOGY CO., LIMITED | | |
| X:XX ± 0.25 | CHKD: JAMES | TITLE: 1x2 Ports RJ45 Connector with 1000 Base-TX Integrated Magnetic | | |
| X:XXX ± 0.05 | DR: LEO | | | |
| ANGLES $\pm 1^\circ$ | UNIT: mm | PART NO.: LPJG26926-8AFNL | | |
| | SCALE: 2/1 | SHEET: 1/2 | REV: A | DWG NO.: LP13050831 |

