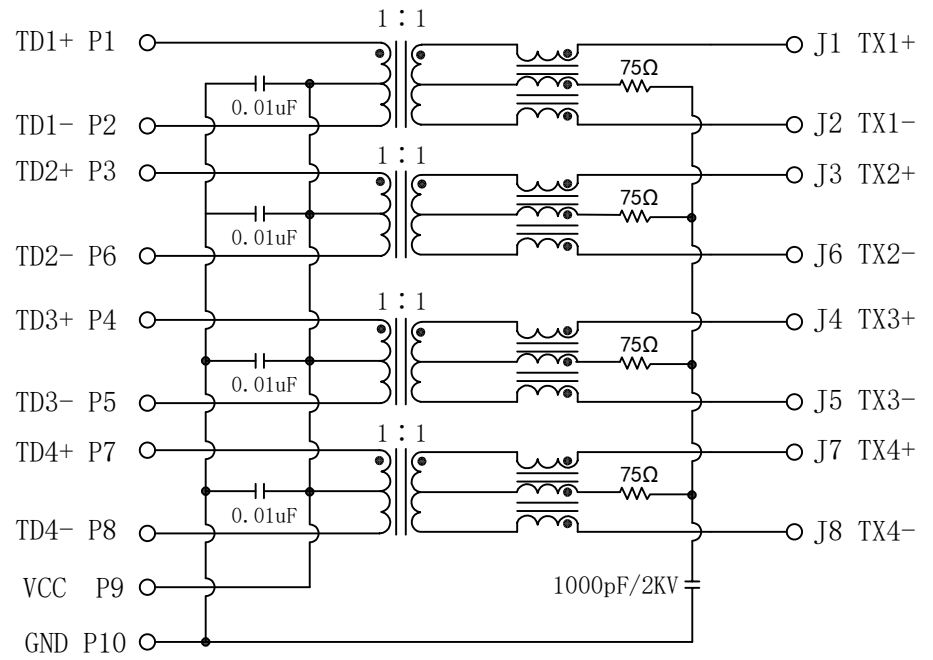




Schematic:

REV.	ECN NO.	DESCRIPTION	DATE	APPD
A	REL		2013/01/28	

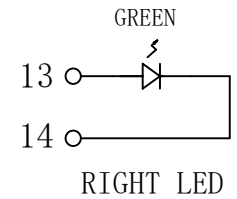
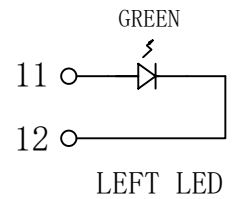
PC BOARD CONNECTIONS



RJ45 CONNECTOR

Electrical Specifications @25°C

1. Impedance: 100 ohms
2. OCL: 350uH Min  
@100KHz, 0.1V, 8mADC BIAS
3. Turns Ratio: 1 : 1 ±3%
4. Insertion Loss:  
1-100MHz:-1.1dB Max
5. Return Loss(dB Min):  
1-40MHz:-18      60MHz:-14  
80MHz:-12      100MHz:-10
6. Crosstalk:  
1-100MHz:-35dB Typ
7. Common Mode Rejection(dB Typ):  
0.1-30MHz:-38      30-60MHz:-35  
60-100MHz:-30
8. Isolation Voltage: 1500Vrms
9. Operating Temperature: 0°C~70°C.



X:X ±0.30	APPD:	LINK-PP INT'L TECHNOLOGY CO., LIMITED
X:XX ±0.20	CHKD:	
X:XXX ±0.05	DR: TOM	TITLE: RJ45 Connector with 1000 BASE-TX Integrated Magnetic
ANGLES ±1°	UNIT: mm	PART NO. : LPJG26805AFNL
	SCALE: 2/1	SHEET: 1/2
	REV: A	DWG NO. : LP13022805