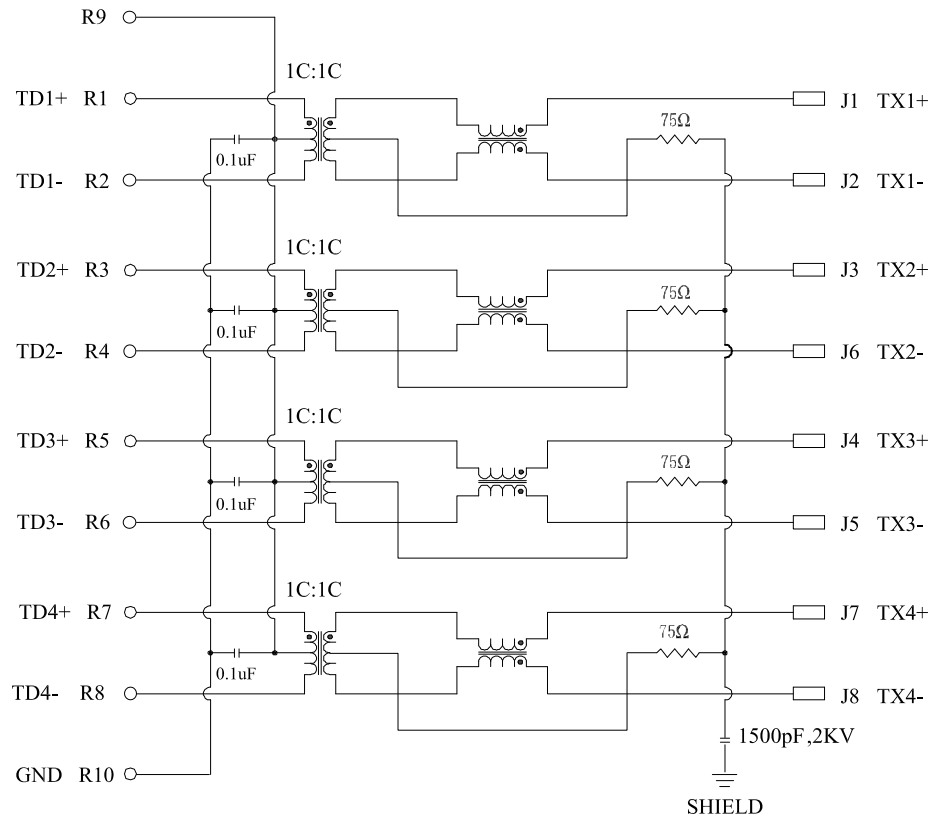


# Schematic:

REV.	ECN NO.	DESCRIPTION	DATE	APPD
A	REL		2014/07/07	

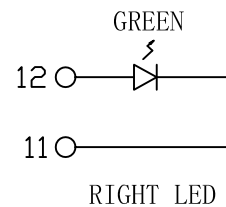
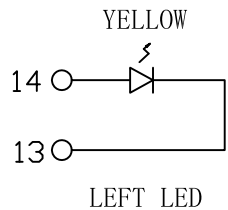
PC BOARD CONNECTIONS



RJ45 CONNECTOR

## Electrical Specifications @ 25°C

- Turns Ratio (@100KHz, 0.1V):  
1CT : 1CT ±5%
- Inductance (@100KHz, 100mV, 8mA DC Bias):  
J1-J2; J3-J6; J4-J5; J7-J8: 350uH Min
- Insertion Loss:  
1~100MHz: -1.0dB Max
- Return Loss (dB Min. load 100 Ω):  
1~10MHz: -20                      30MHz: -16  
60~80MHz: -12
- Crosstalk (dB Min):  
30~60MHz: -35  
60~100MHz: -30
- Common Mode Rejection (dB Min):  
1~50MHz: -30                      50~100MHz: -20
- Isolation Voltage: 1500Vrms
- Operating Temperature Range: -40°C ~ +85°C.

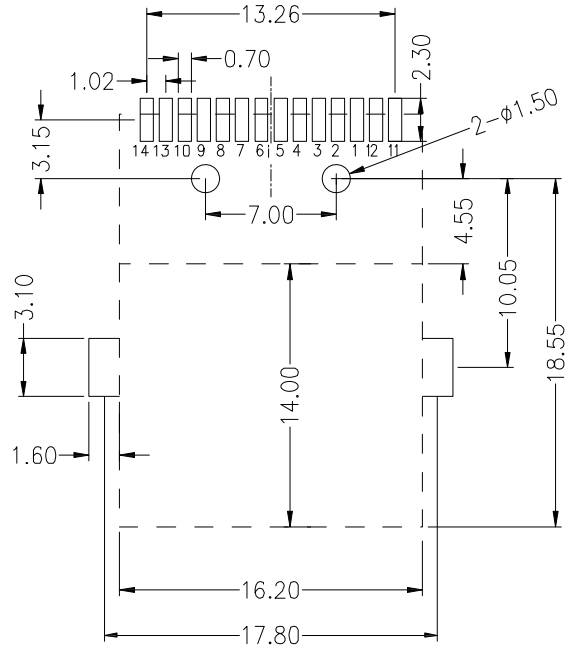
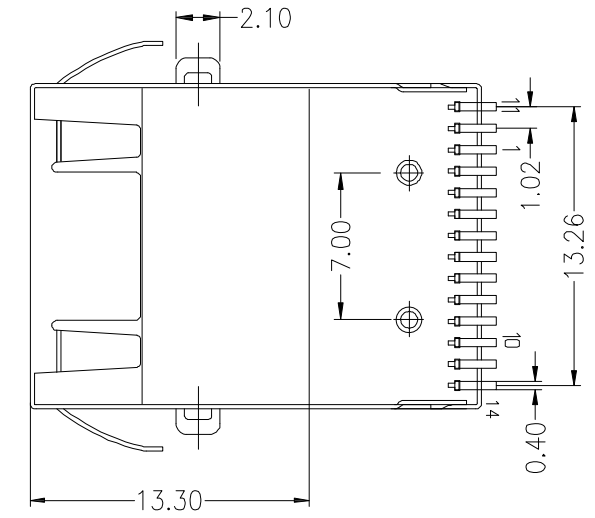
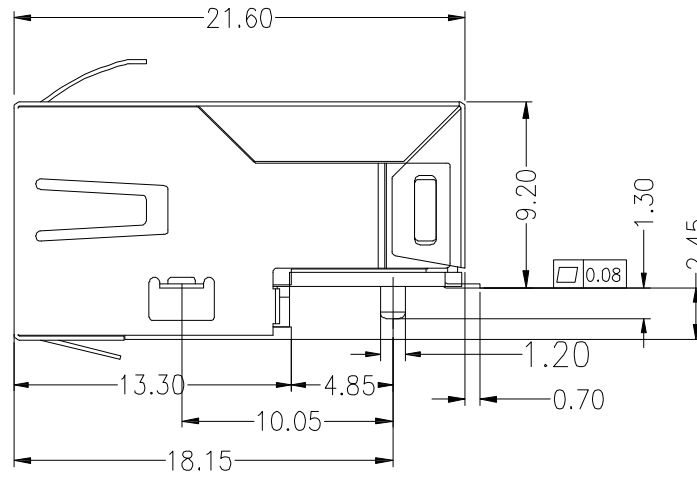
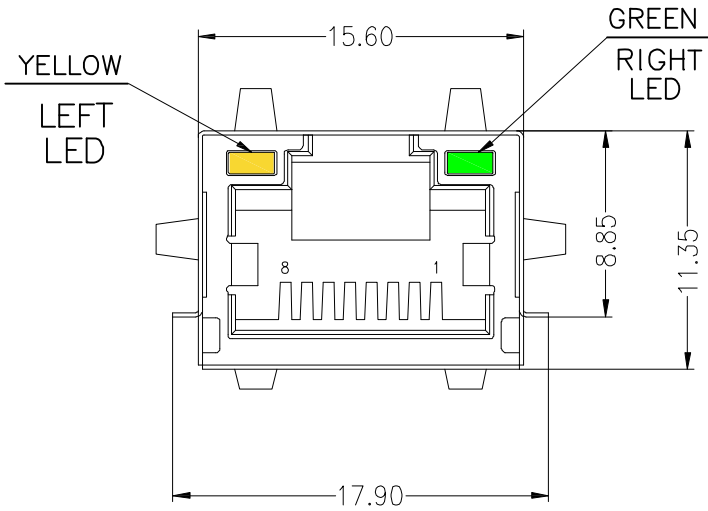


Emitting Color	λ p(nm)	VF@IF=20mA	IR @VR=5V
GREEN	565	1.8~2.4V	10 μ A max
YELLOW	585	1.8~2.4V	10 μ A max

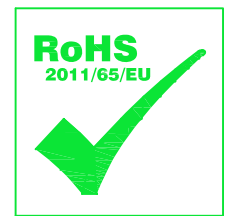
X:X	±0.25	APPD:	LINK-PP INT'L TECHNOLOGY CO., LIMITED
X:XX	±0.20	CHKD:	
X:XXX	±0.05	DR: TOM	TITLE: Surface Mount 1×1 Tab-Up Jack With 10/100/1000 Magnetic
ANGLES	±1°	UNIT: mm	PART NO.: LPJG19562AGNL
	SCALE: 2/1	SHEET: 1/2	REV: A      DWG NO: LP14070716

# Mechanical:

REV.	ECN NO.	DESCRIPTION	DATE	APPD
A	REL		2014/07/07	



RECOMMENDED P.C.B LAYOUT  
Tolerance: ±0.05



### NOTES:

1. Designed to support application, such as SOHO (ADSL modems), LAN-on-Motherboard (LOM), hub and Switches.
2. Meets IEEE 802.3 specification
3. Connector Materials:  
Housing: Thermoplastic UL94V-0  
Contact/Shield: Copper alloy  
Shield plating: Nickel  
Contact plating: Gold 6 micro-inches min. In contact area.
4. For RoHS part add suffix NL
5. Reflow soldering 250°C degC for 5~10 sec.
6. UL Certification: File Number E484635.

X:X	±0.25	APPD:	LINK-PP INT'L TECHNOLOGY CO., LIMITED
X:XX	±0.20	CHKD:	
X:XXX	±0.05	DR: TOM	TITLE: Surface Mount 1×1 Tab-Up Jack With 10/100/1000 Magnetic
ANGLES	±1°	UNIT: mm	PART NO.: LPJG19562AGNL
	SCALE: 2/1	SHEET: 2/2	REV: A DWG NO: LP14070716