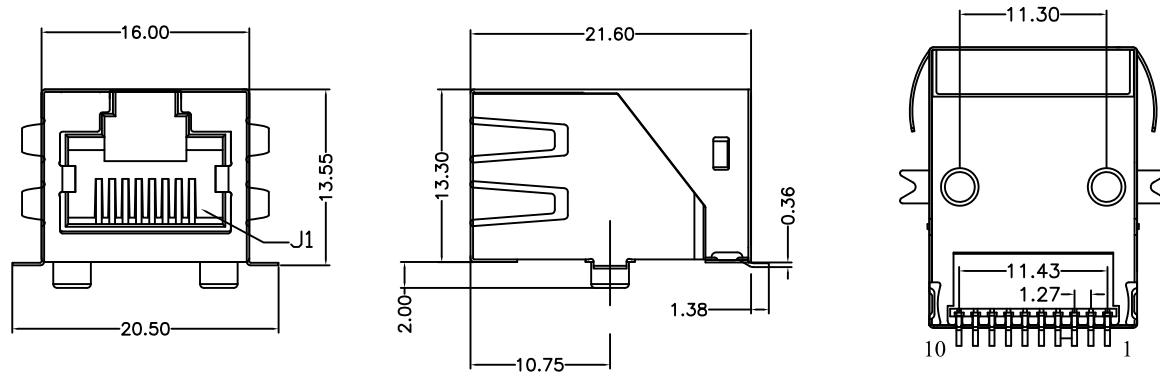


Mechanical:

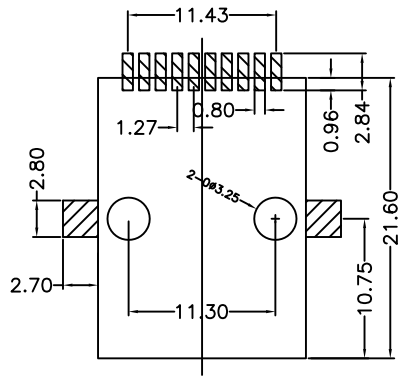
REV.	ECN NO.	DESCRIPTION	DATE	APPD
A	REL		2017/01/13	



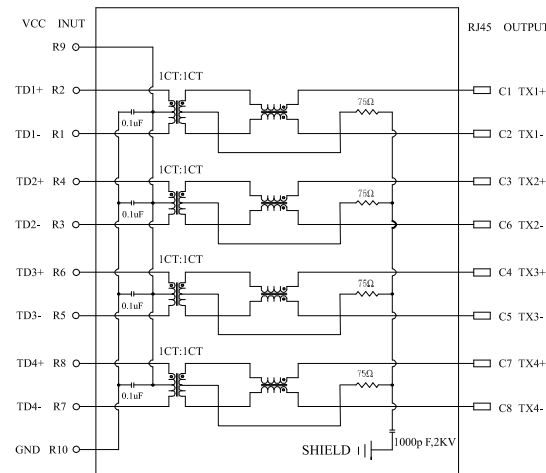
Feature:

- Complies with IEEE standards and all Gigabit specifications including 350uH with 8m A DC bias
 - Intergrated Mag-modular design provides higher reliability and conserves minimizing PCB space
 - Housing: Thermoplastic LCP
 - Contact :Phosphor Bronze C5191,Thickness=0.35mm plated Nickel 30u" Min, Gold plated on contact area 30u" Min
 - Input Terminal : Brass ,Thickness=0.35mm
Finish : 120n' min Tin over 50n' min Nickel
 - Metal shielding: Copper alloy with Nickel plated(C2680), Thickness=0.20mm Ni 30u" Min
 - Operating temperature: -40°C to +85°C
- Lead-free process,compliant RoHS

SCHEMATIC



Suggested PCB Layout(Component side view)



Electrical Specifications: (25°C)

Insertion Loss dB Max	Return Loss dB Min		Common Mode Rejection dB TYP		Crosstalk dB TYP	Hi-Pot (VDC)	
	1~30MHz	60~80MHz	1~100MHz	150MHz			
-1.0	-18.0	-12.0	-10.0	-30.0	-20.0	-30.0	2250



X:X ±0.30	APPD:	LINK-PP INT'L TECHNOLOGY CO., LIMITED
X:XX ±0.25	CHKD:	
X:XXX ±0.05	DR: James	TITLE: RJ45 Connector
ANGLES ±1°	UNIT: mm	PART NO.: LPJG19018CNL-1
	SCALE: 2/1	SHEET: 1/3
	REV: A	DWG NO.: LP17011310