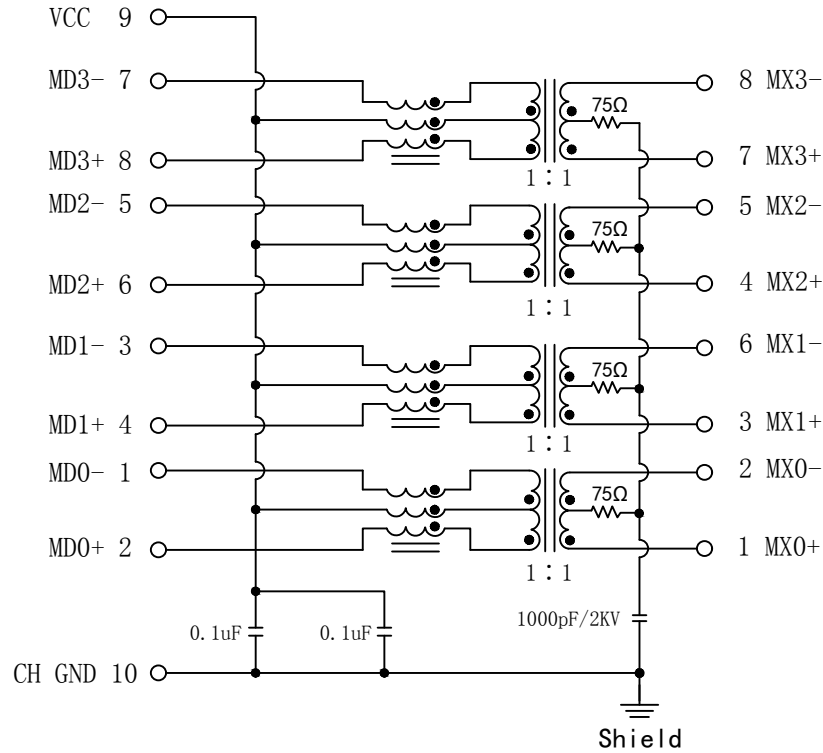


Schematic:

REV.	ECN NO.	DESCRIPTION	DATE	APPD
A	REL		2012-03-24	

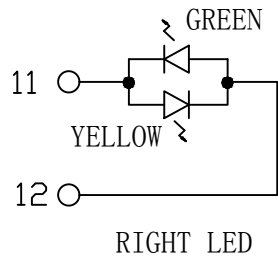
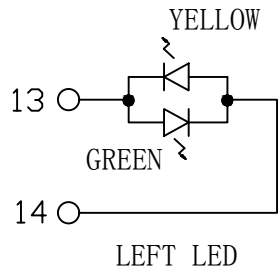
PCB CONNECTIONS



CABLE

Electrical Specifications @25°C

- Transmitter filter & Receiver filter
Type: Balance low pass 100 Ω impedance
Insertion Loss:
1~65MHz: -1.0dB MAX
Return Loss:
1~10MHz: -20 dB TYP. load 100 Ω ±15 Ω
30MHz: -16 dB TYP. load 100 Ω ±15 Ω
60~80MHz: -12 dB TYP. load 100 Ω ±15 Ω
- Inductance:
350uH MIN @ 100KHz, 0.1V, 8mA DC BIAC
- Crosstalk (dB MIN):
1~10MHz: -40 32~60MHz: -35
60~100MHz: -30
- Common Mode Rejection:
1~50MHz: -30dB TYP
50~130MHz: -20dB TYP
- Hipot: 1500Vrms MIN @60Hz 1 MIN
- Operating Temperature Range: 0°C ~70°C.

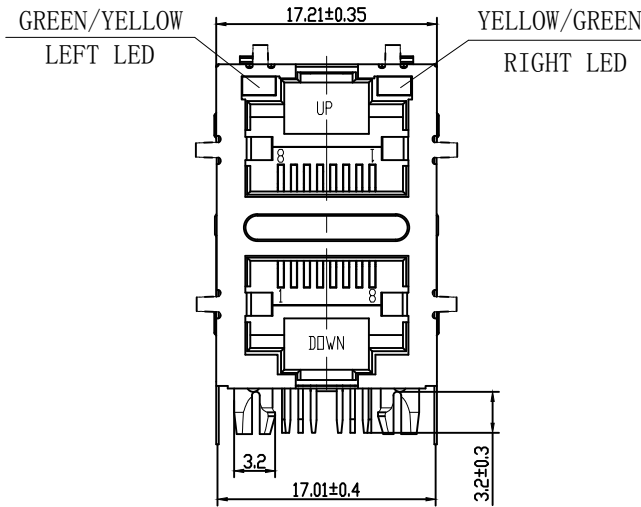
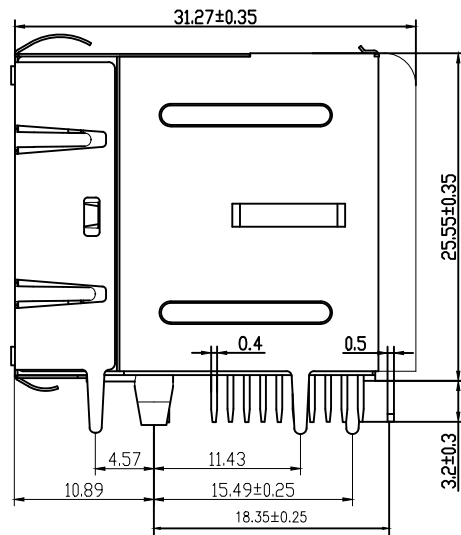


Emitting Color	λp(nm)	V _F @I _F =20mA	I _R @V _R =5V
GREEN	565	1.8~2.6V	10 μA max
YELLOW	585	1.8~2.6V	10 μA max

X:X ±0.30	APPD: TOM	LINK-PP INT'L TECHNOLOGY CO., LIMITED	
X:XX ±0.25	CHKD: JAMES	TITLE: 2*1 RJ45 Connector with 1000 Base-T Integrated Magnetics	
X:XXX ±0.05	DR: LEO	PART NO.: LPJG17947A51NL	
ANGLES ±1°	UNIT: mm	DWG NO.: LP12032420	
	SCALE: 2/1	SHEET: 1/2	REV: A

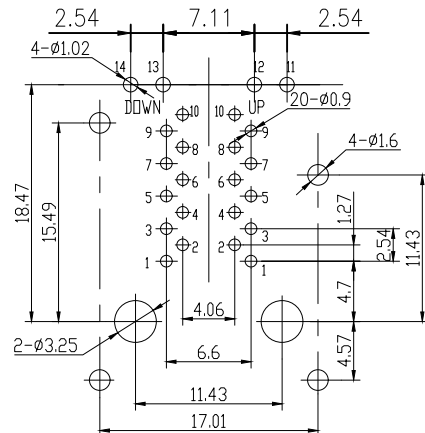
Mechanical:

REV.	ECN NO.	DESCRIPTION	DATE	APPD
A	REL		2012-03-24	

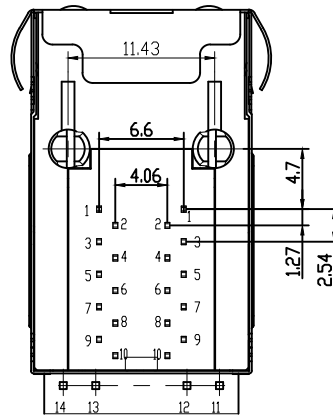


NOTES:

1. Meets IEEE 802.3 specification
2. Connector Materials:
 - Housing Material: Thermoplastic PBT+30%G.F UL94V-0
 - Contact Material: Phosphor Bronze C5210R-EH Thickness=0.35mm
 - Pins: Brass C2680R-H Thickness=0.35mm
 - Shield: Copper alloy Brass H65Y Thickness=0.20mm
 - Shield plating: Nickel
 - Contact plating: Gold 6 micro-inches min. In contact area.
3. Wave solder tip temperature: 250°C, 5 Sec.
4. UL Certification: File Number E484635.



PCB BOARD LAYOUT



X:X ±0.30	APPD: TOM	LINK-PP INT'L TECHNOLOGY CO., LIMITED
X:XX ±0.25	CHKD: JAMES	
X:XXX ±0.05	DR: LEO	TITLE: 2*1 RJ45 Connector with 1000 Base-T Integrated Magnetics
ANGLES ±1°	UNIT: mm	PART NO.: LPJG17947A51NL
	SCALE: 2/1	SHEET: 2/2
	REV: A	DWG NO.: LP12032420