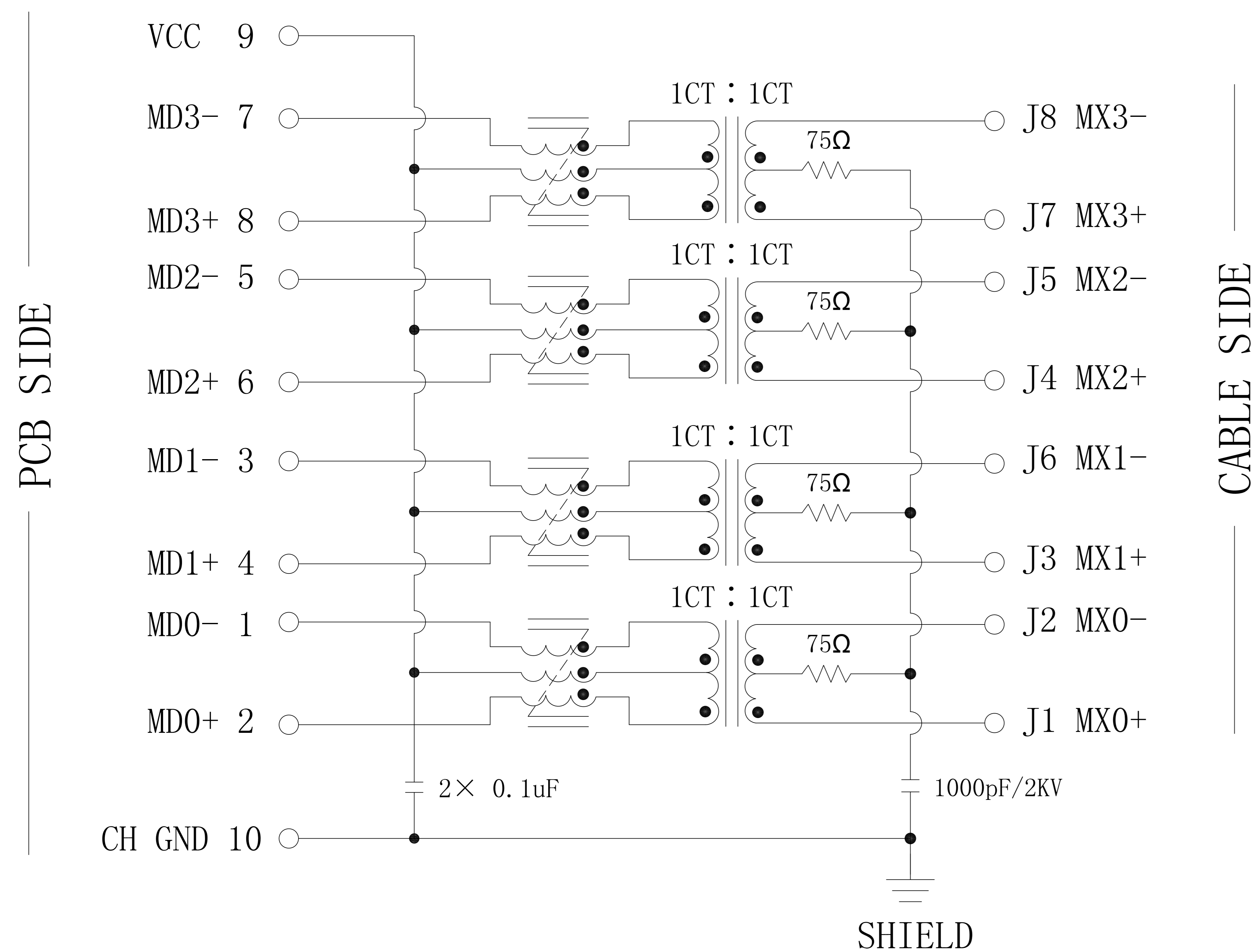


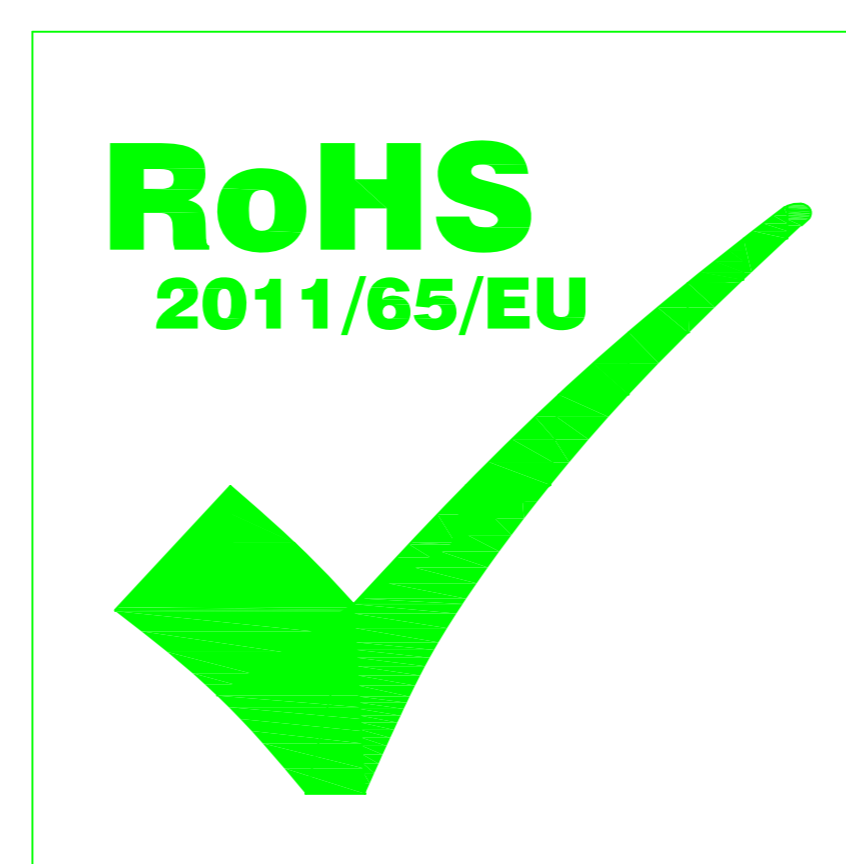
Schematic:

REV.	ECN NO.	DESCRIPTION	DATE	APPD
A	REL		2012/05/17	



Electrical Specifications @25°C

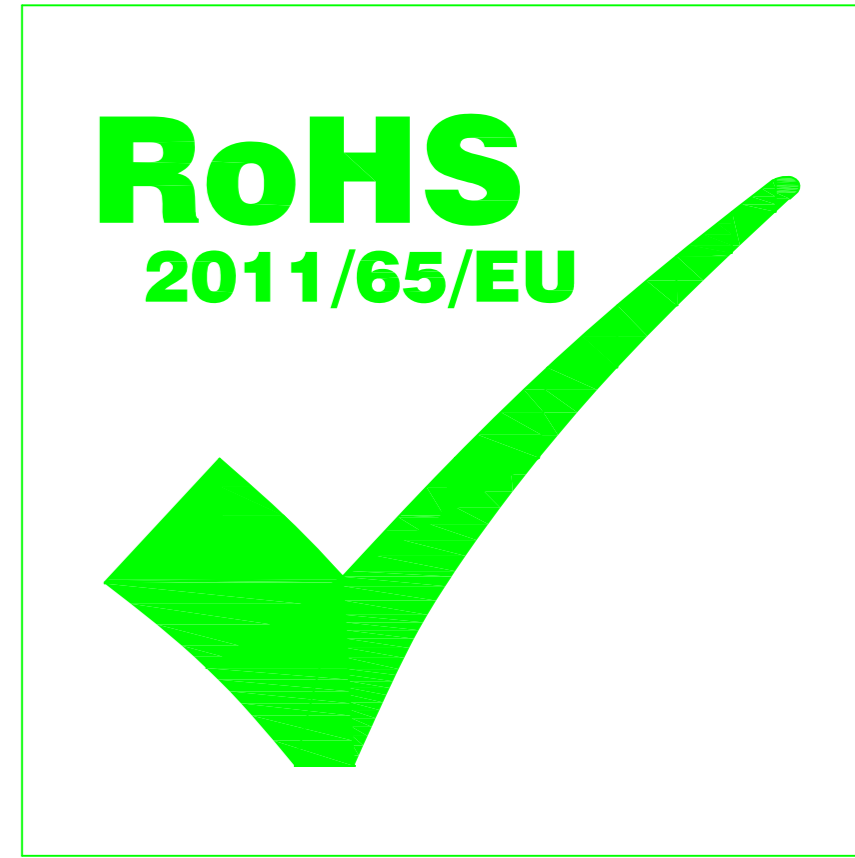
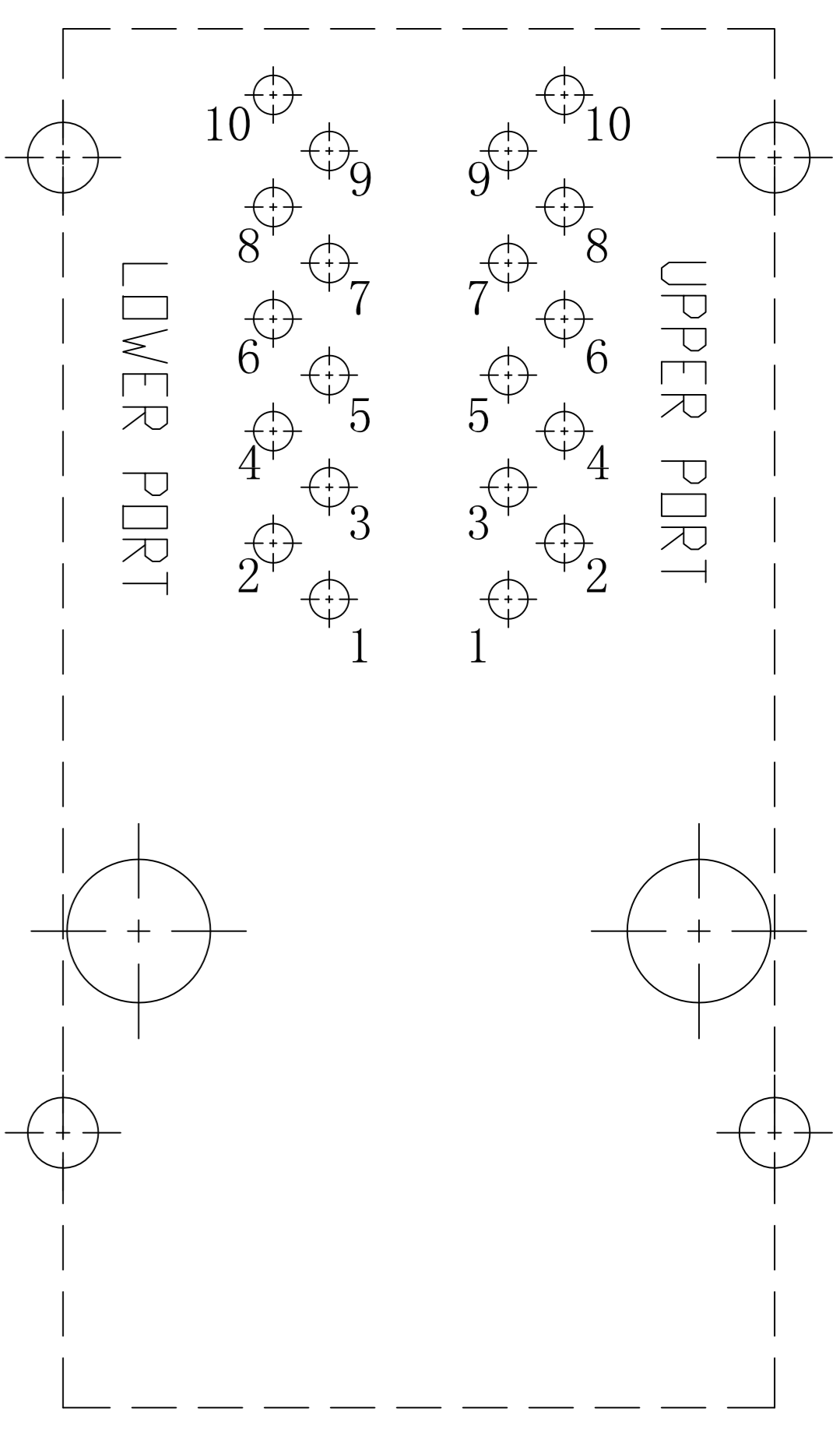
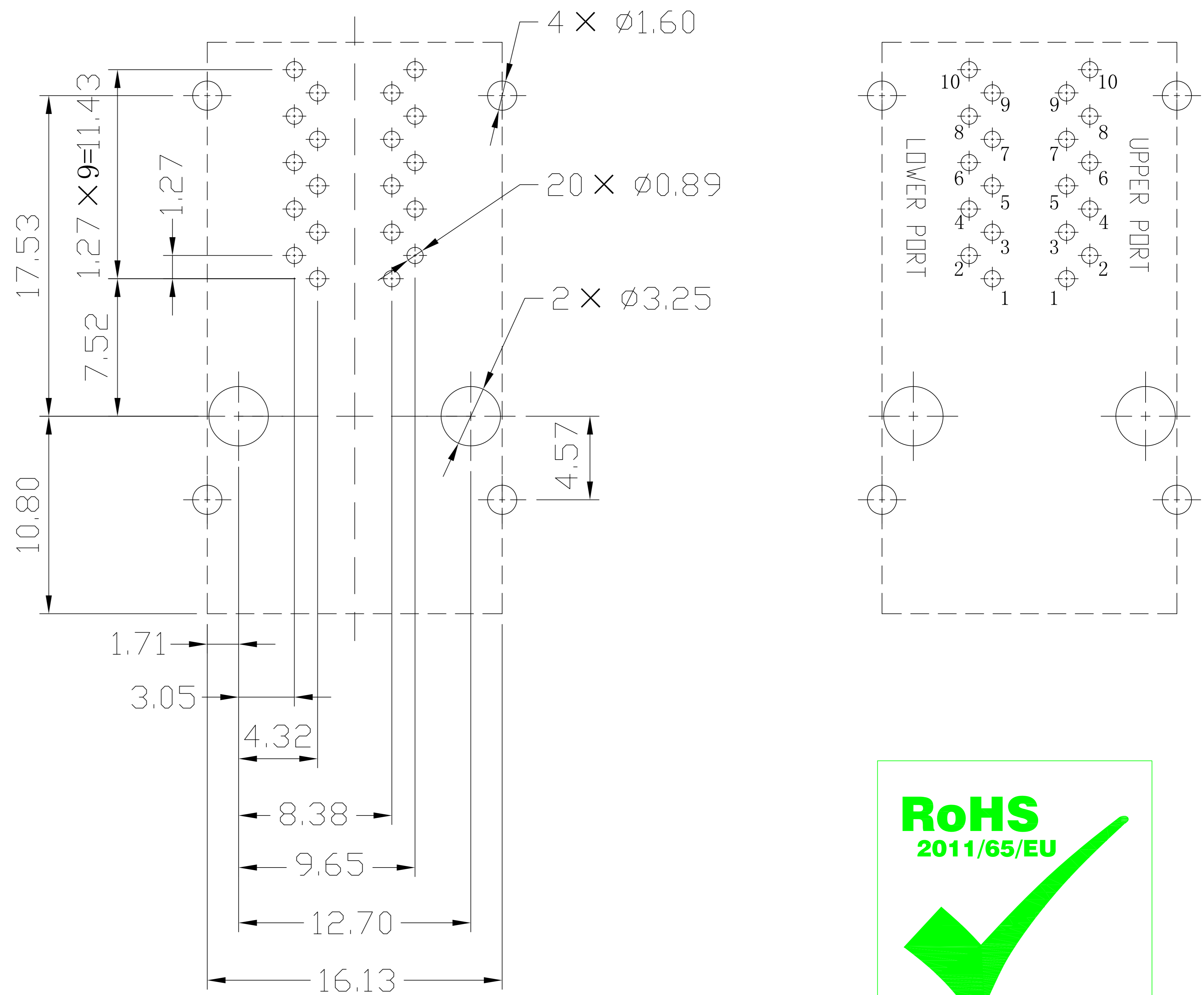
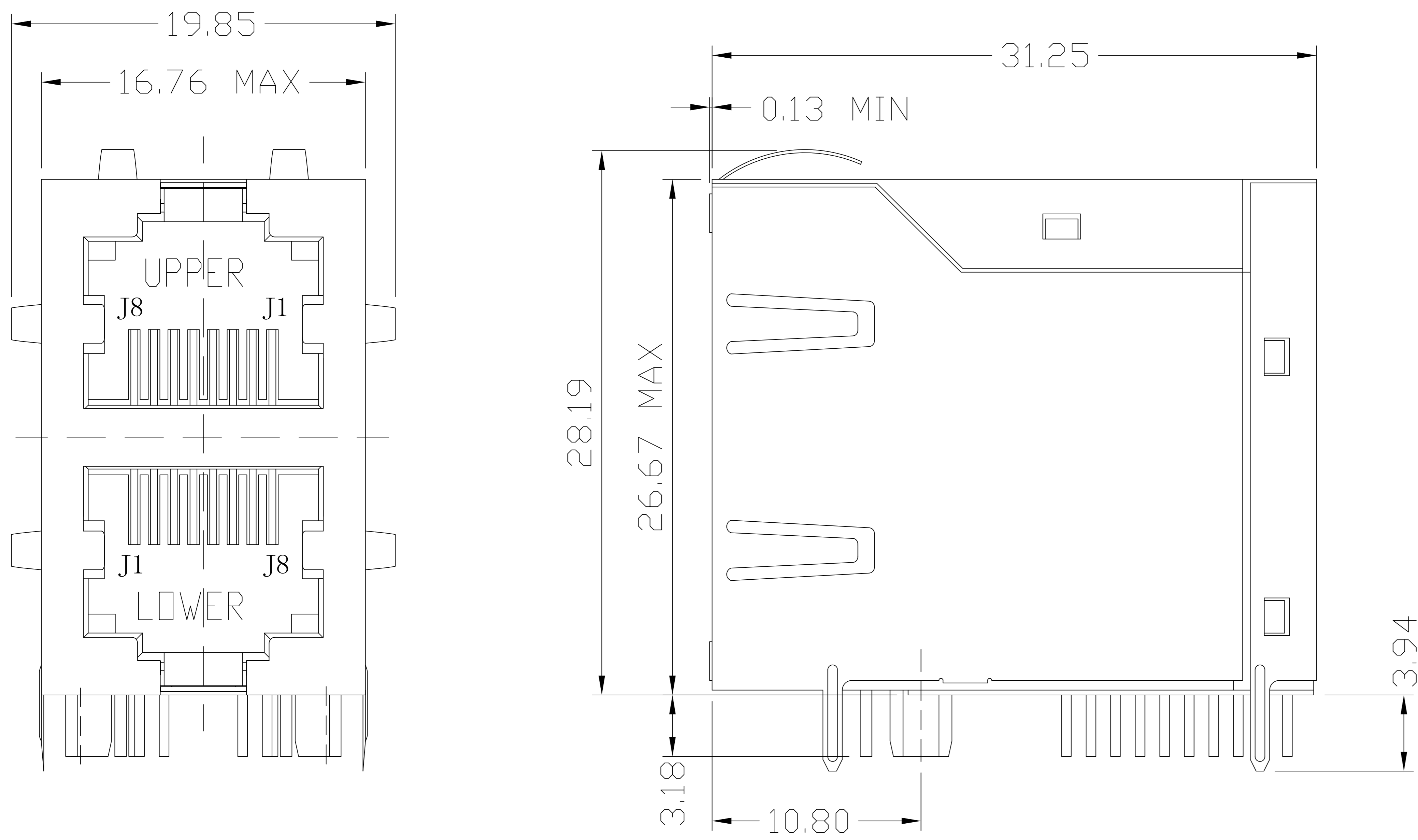
- OCL(@100KHz, 100mV, 8mA DC Bias):
350uH min
- Turns Ratio: 1CT : 1CT $\pm 2\%$
- Insertion Loss:
100KHz: -1.2dB Max
1~100MHz: -0.8dB Max
125MHz: -3.0dB Max
- Return Loss(@100 Ω $\pm 15\%$):
0.1~40MHz: -16dB Min
40~100MHz: $-10 + 20\text{Log}(f/80\text{MHz})$ dB Min
- Crosstalk(dB Min):
1MHz: -50
10~100MHz: $-52 + 22\text{Log}(f/10)$
- Common Mode Rejection Ratio:
2MHz: -50dB Min
30~200MHz: $-15 + 20\text{Log}(f/200)$ dB Min
- Hi-Pot: 1500Vrms @60Hz
- Operating Temperature: 0°C ~ 70°C.



X:X ± 0.30	APPD:	LINK-PP INT'L TECHNOLOGY CO., LIMITED
X:XX ± 0.25	CHKD:	
X:XXX ± 0.05	DR: TOM	TITLE: RJ45 Connector With 1000 Base-T Integrated Magnetics
ANGLES $\pm 1^\circ$	UNIT: mm	PART NO.: LPJG17747CNL
	SCALE: 2/1	SHEET: 1/2
	REV: A	DWG NO.: LP12051701

Mechanical:

REV.	ECN NO.	DESCRIPTION	DATE	APPD
A	REL		2012/05/17	



NOTES:

1. Designed to support application, such as SOHO (ADSL modems), LAN-on-Motherboard (LOM), hub and Switches.
2. Meets IEEE 802.3 specification
3. Connector Materials:
 Housing: Thermoplastic UL94V-0
 Contact/Shield: Copper alloy
 Shield plating: Nickel
 Contact plating: Gold 6 micro-inches min. In contact area.
4. Wave solder tip temperature: 250°C, 5 Sec.
5. UL Certification: File Number E484635.

SUGGESTED PCB LAYOUT(TOP VIEW)

X:X ±0.30	APPD:	LINK-PP INT'L TECHNOLOGY CO., LIMITED
X:XX ±0.25	CHKD:	
X:XXX ±0.05	DR: TOM	TITLE: RJ45 Connector With 1000 Base-T Integrated Magnetics
ANGLES ±1°	UNIT: mm	PART NO.: LPJG17747CNL
	SCALE: 2/1	SHEET: 2/2
	REV: A	DWG NO.: LP12051701